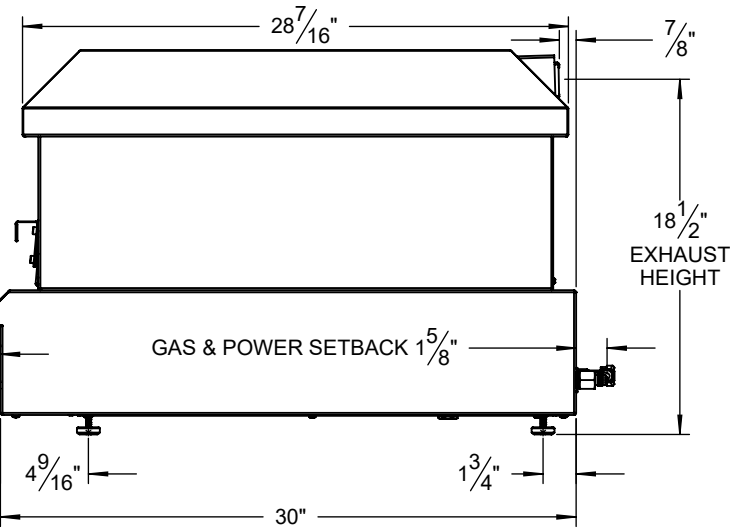
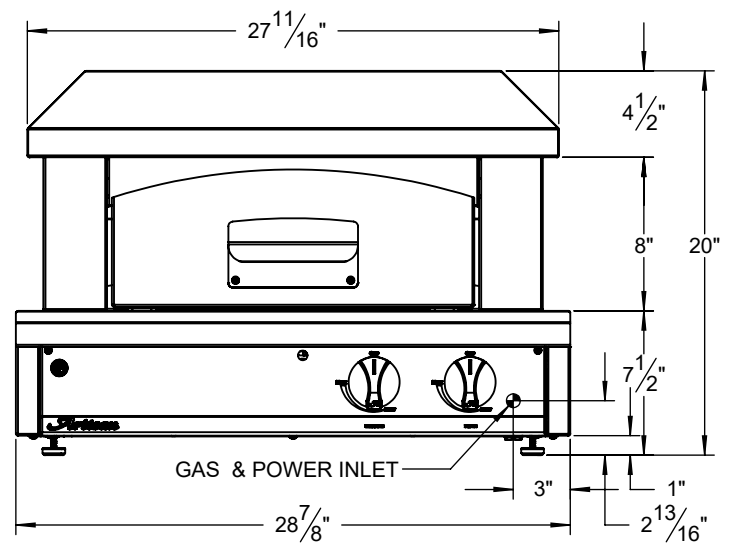
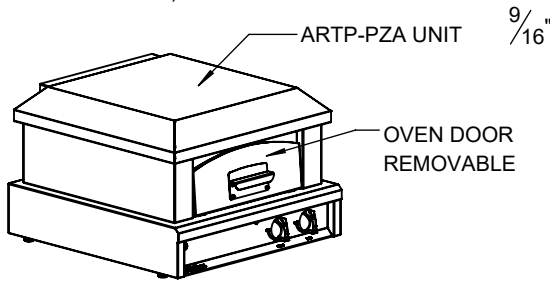


**ARTP-PZA TYPICAL COUNTER INSTALLATION**



**COUNTERTOP REQUIREMENTS**  
(FOR CONNECTIONS AT THE BOTTOM)



115 VAC POWER REQUIRED.  
FOR STANDARD COUNTERTOP  
INSTALLATION  
(GCFI RECOMMENDED)

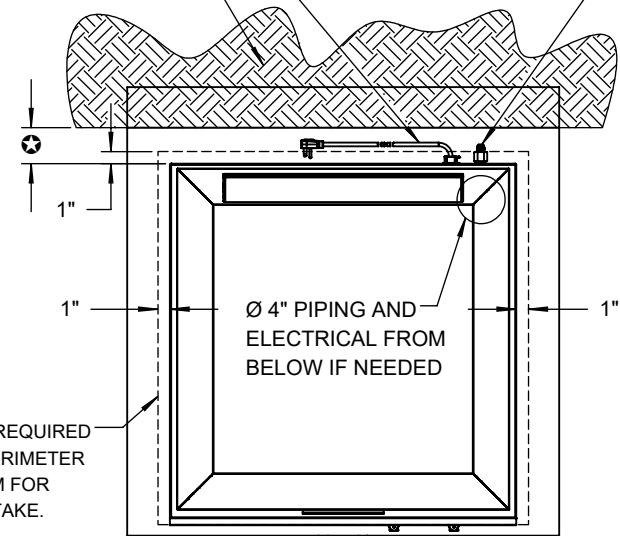
115 VAC POWER  
REQUIRED FOR  
UNDERCOUNTER  
OPTIONAL  
INSTALLATION.  
GCFI  
RECOMMENDED

3/8" RAISED LIP & SEALED TO COUNTERTOP  
TO PREVENT WATER INGRESS IS HIGHLY  
RECOMMENDED WHEN USING THE SETUP  
FOR OPTIONAL UNDERCOUNTER UTILITIES.

ARTP-DD ACCESS DOOR FOR  
SERVICE AND STORAGE IS  
OPTIONAL & RECOMMENDED  
FOR UNDERCOUNTER GAS  
& POWER UTILITIES.

⊛ NON-COMBUSTIBLE  
WALL CONSTRUCTION

GAS & POWER AT BACK IS  
STANDARD, BUT CAN BE  
ROUTED FROM BELOW



1" CLEARANCE REQUIRED  
ALL AROUND PERIMETER  
AND AT BOTTOM FOR  
PROPER AIR INTAKE.

⊛ REFER TO THE ARTP-PZA MANUAL FOR PROPER CLEARANCE TO  
NON-COMBUSTIBLE MATERIAL AND OR OTHER CONSTRUCTION

**SPECIFICATIONS:**

- BTUH = 38,000
- FUEL NG @ 5" W.C. & LP @ 10" W.C.
- ELECTRICAL POWER = 115 VAC - 7.0 AMPS / 50 ~ 60 Hz.
- GAS CONNECTION = 1/2" NPT(NG) OR 3/8" ODF (LP)