

VITARA

INSTALLATION | GUIDE



VITARA

VITARA AMERICA

100 Illinois St. Ste. 200 Charles, IL 60174

☎ 1.800.299.3406



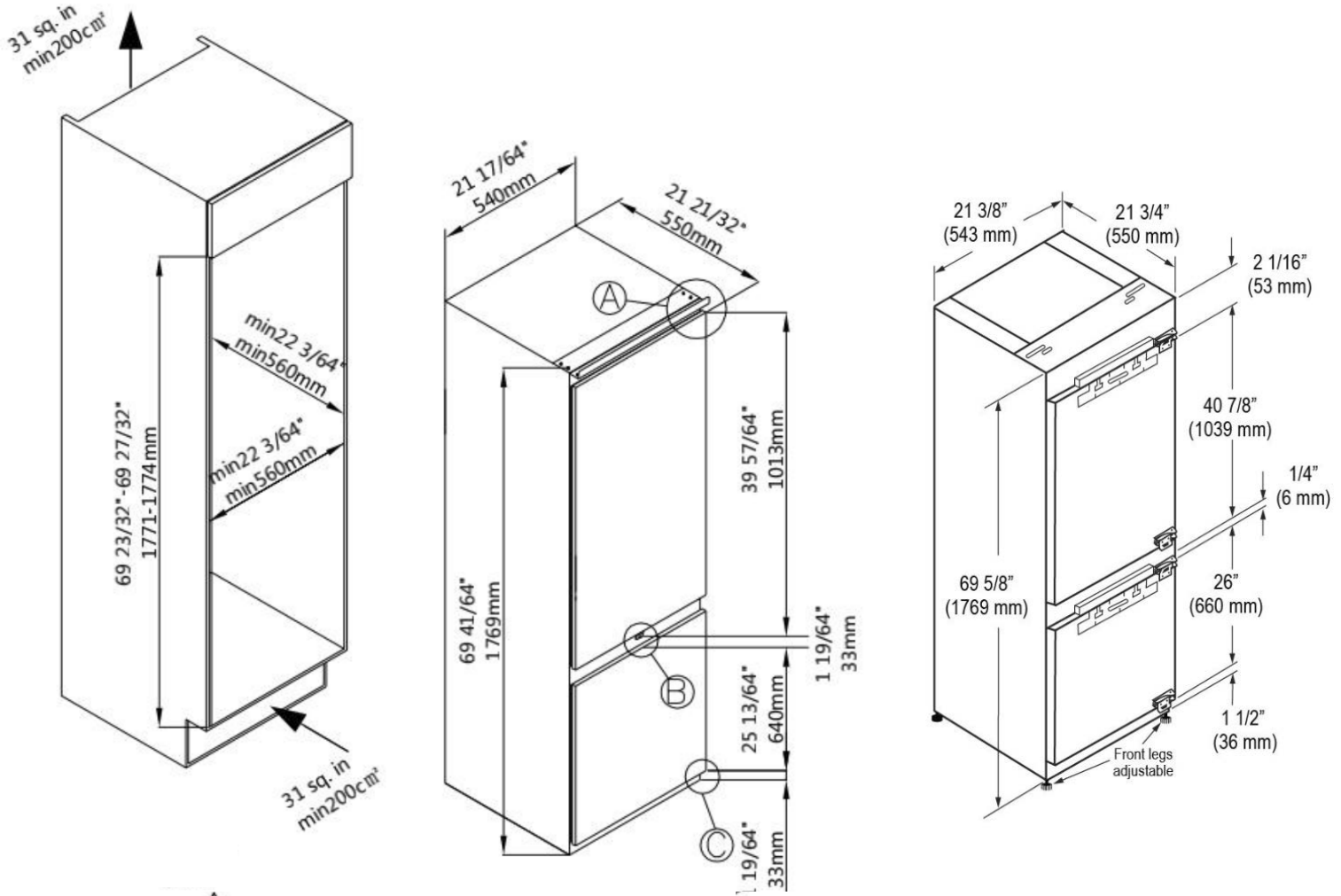
info@vitaraamerica.com



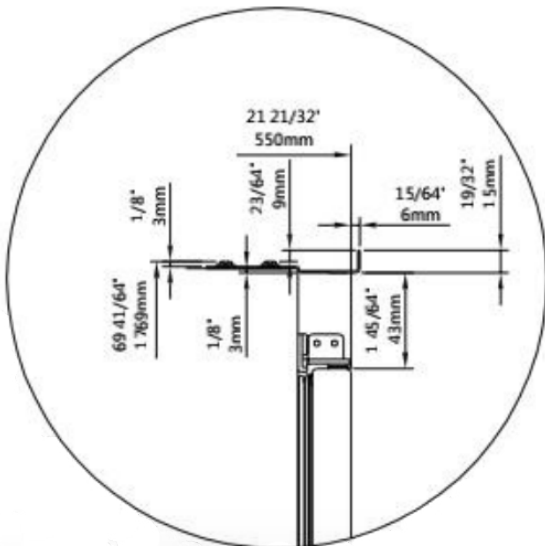
vitaraamerica.com

VBBM0840EWEI

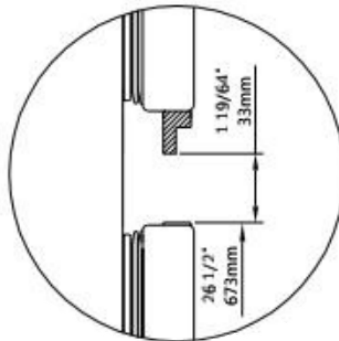
22" Built-In Bottom Freezer Refrigerator with Ice maker



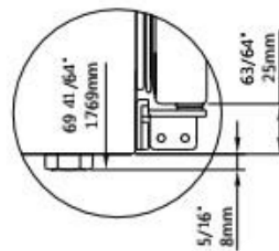
A
6:1



B
6:1

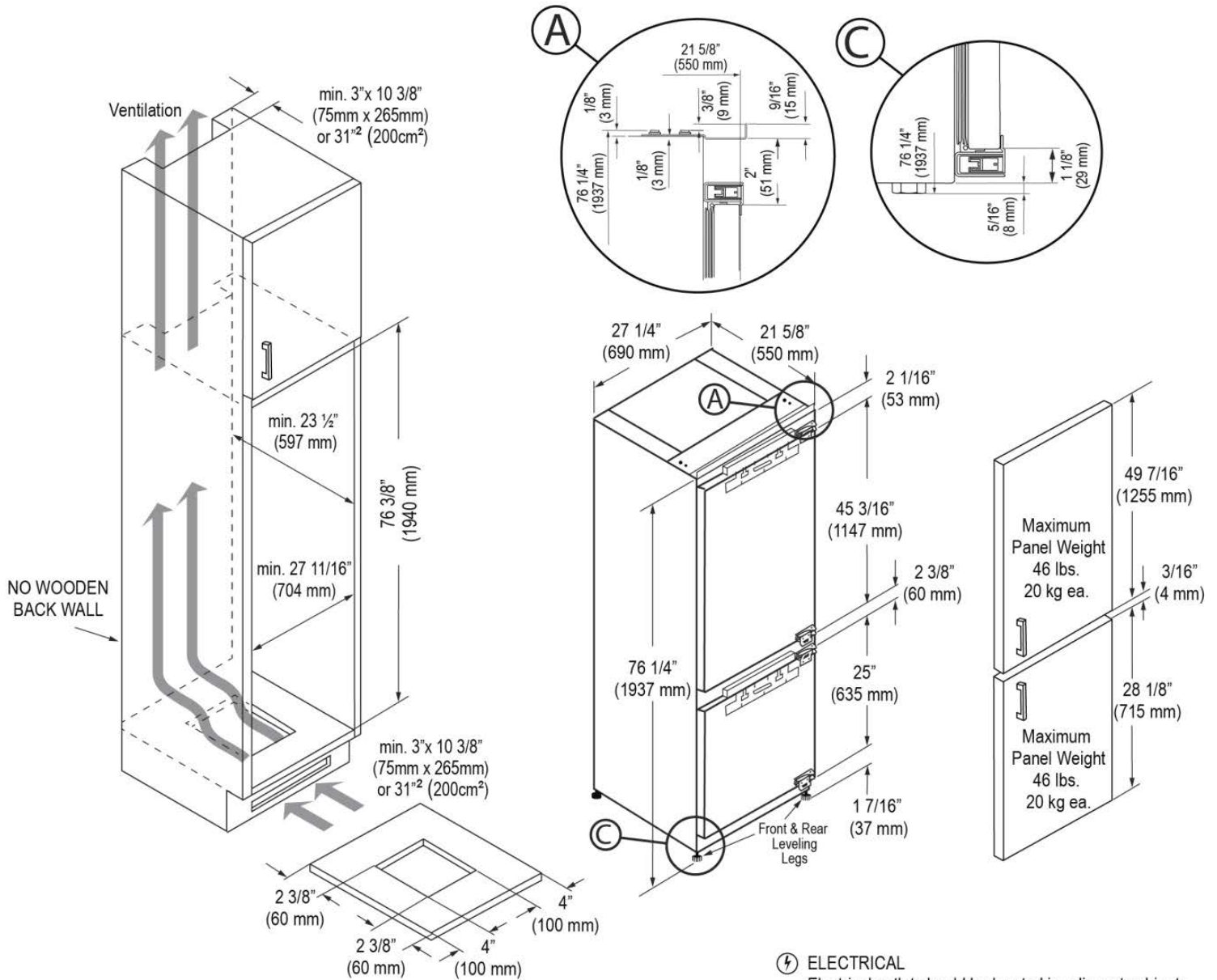


C
6:1

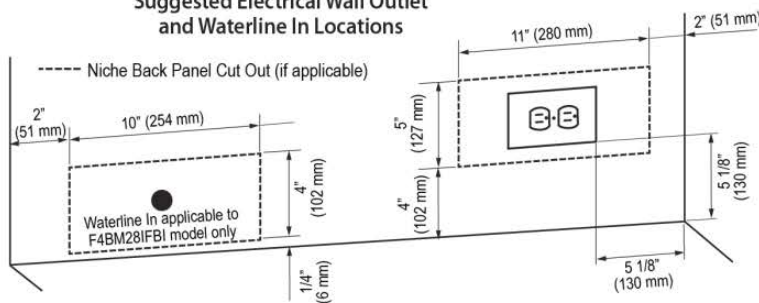


VBBM1200EWEI

28" Built-In Bottom Freezer Refrigerator with Ice maker

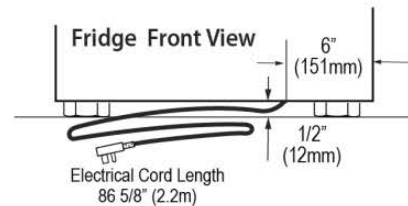


Suggested Electrical Wall Outlet and Waterline In Locations



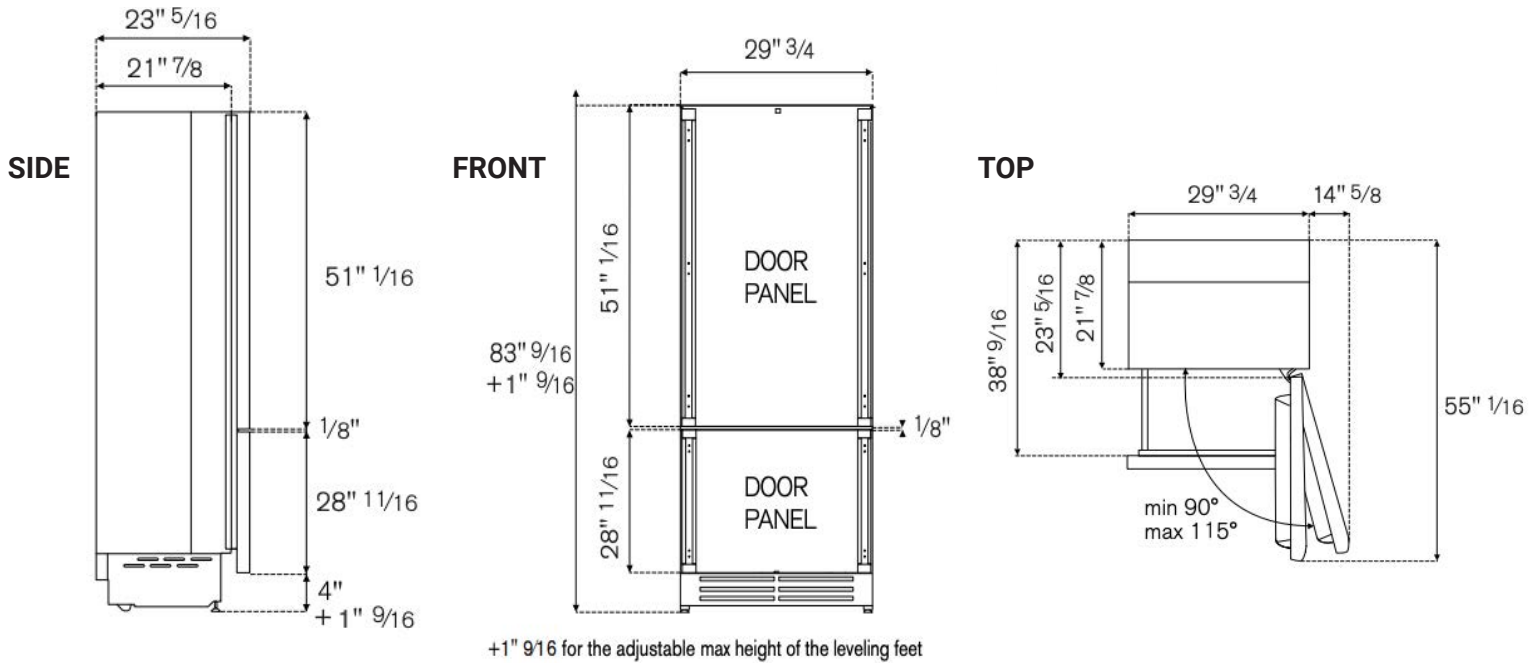
ELECTRICAL

Electrical outlet should be located in adjacent cabinets for ease of access for installations and removals. Electrical cord is 2.2m (86 5/8") in length and located 1/2" (12mm) from the floor and 6" (151mm) from the right side (when facing at the front of the fridge).

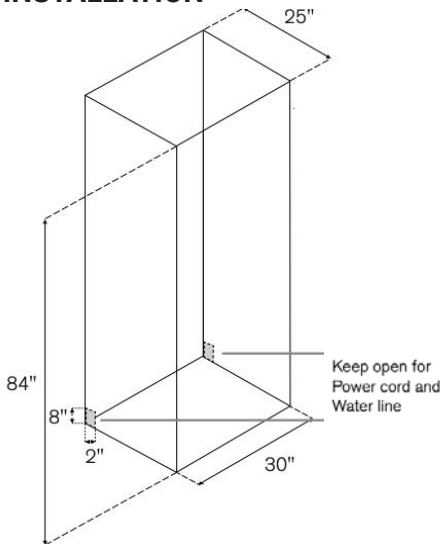


VBBM1601EWE

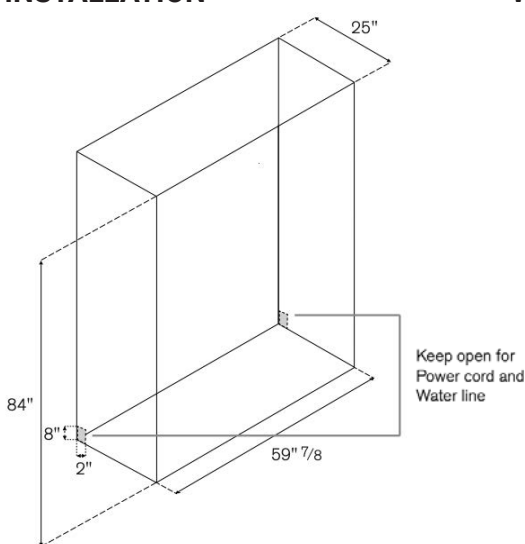
30" Built-In Bottom Freezer Refrigerator with Ice maker



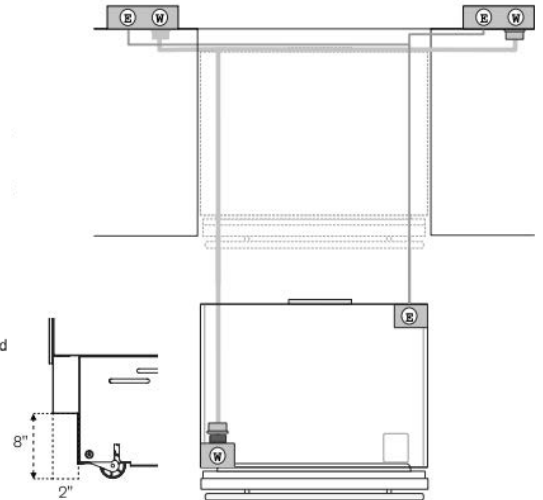
SINGLE INSTALLATION



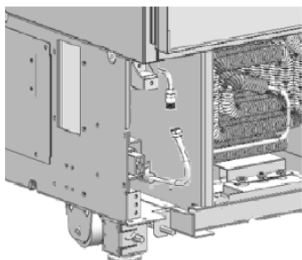
SIDE-BY-SIDE INSTALLATION



ELECTRICAL + WATER CONNECTION



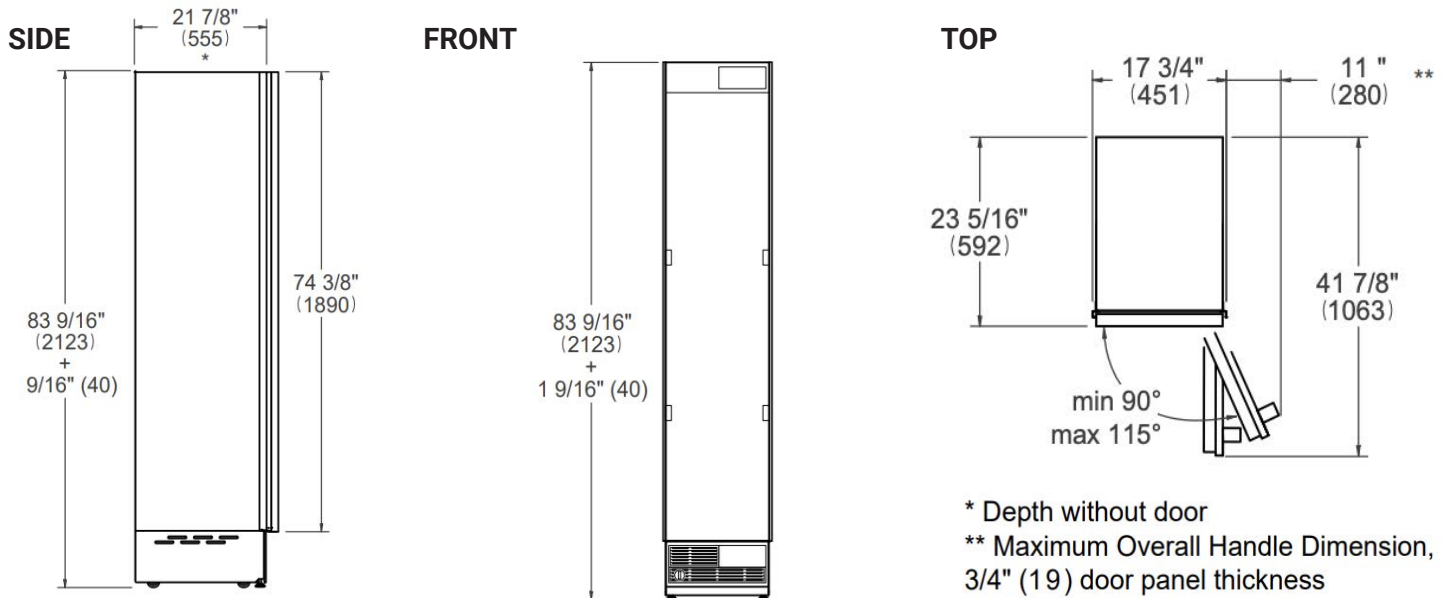
INSTALLATION REQUIREMENTS



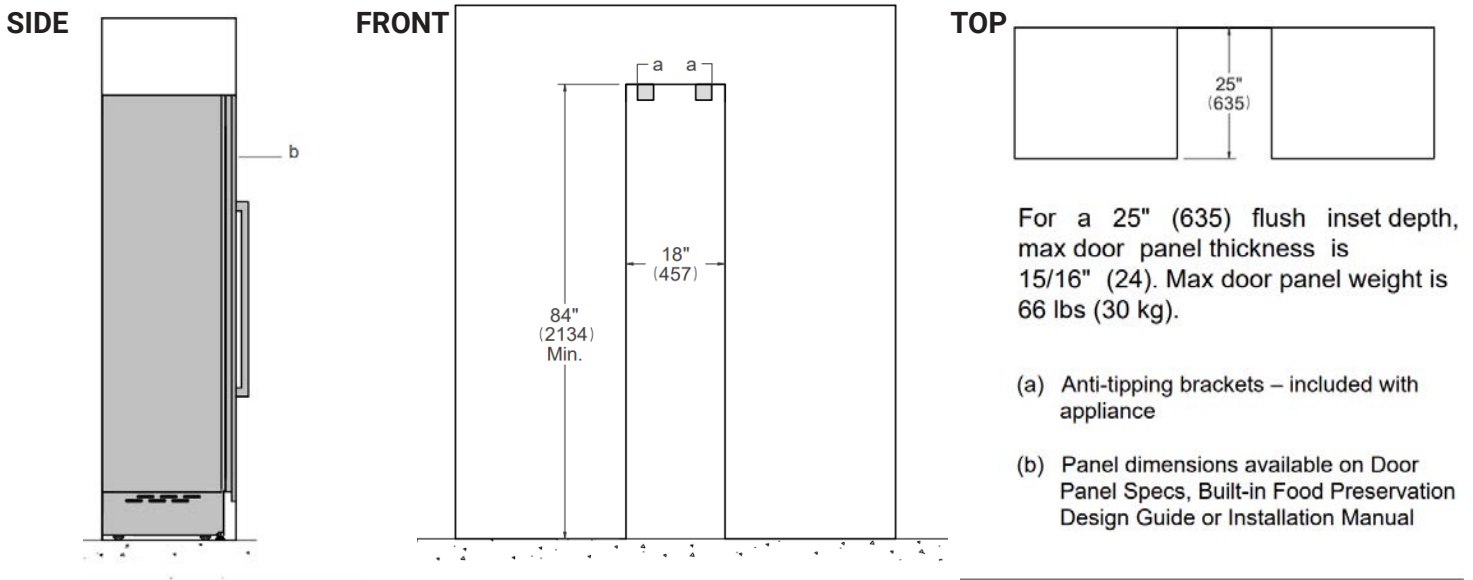
If the appliance(s) is not connected through the side profile trims to secured cabinetry, anti-tip brackets must be installed. The max weight for the cabinet panel is 35 lbs (16kg) for the refrigerator door and 20 lbs (9kg) for the freezer door. For a flush installation, cabinet panels should not be thicker than 15/16".

A properly-grounded, electrical receptacle should be installed. A separate circuit breaker servicing only this appliance is recommended. Do not use a multi-purpose socket with other electrical appliances. To connect to the water supply system, use a 1/4" waterline with accessible shut-off valve with a length of 60".

VBCF0861EWE 18" Built-In Freezer with Ice maker



CUTOUT DIMENSIONS



INSTALLATION REQUIREMENTS

If the appliance(s) is not connected through the side profile trims to secured cabinetry anti-tip brackets must be installed.

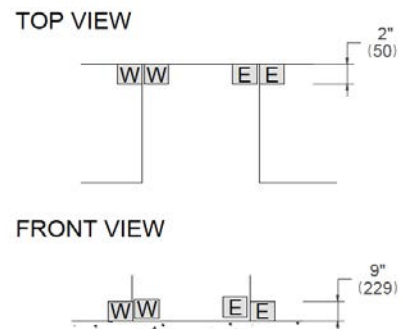
A separate circuit breaker servicing only this appliance is recommended

ELECTRICAL + WATER CONNECTION

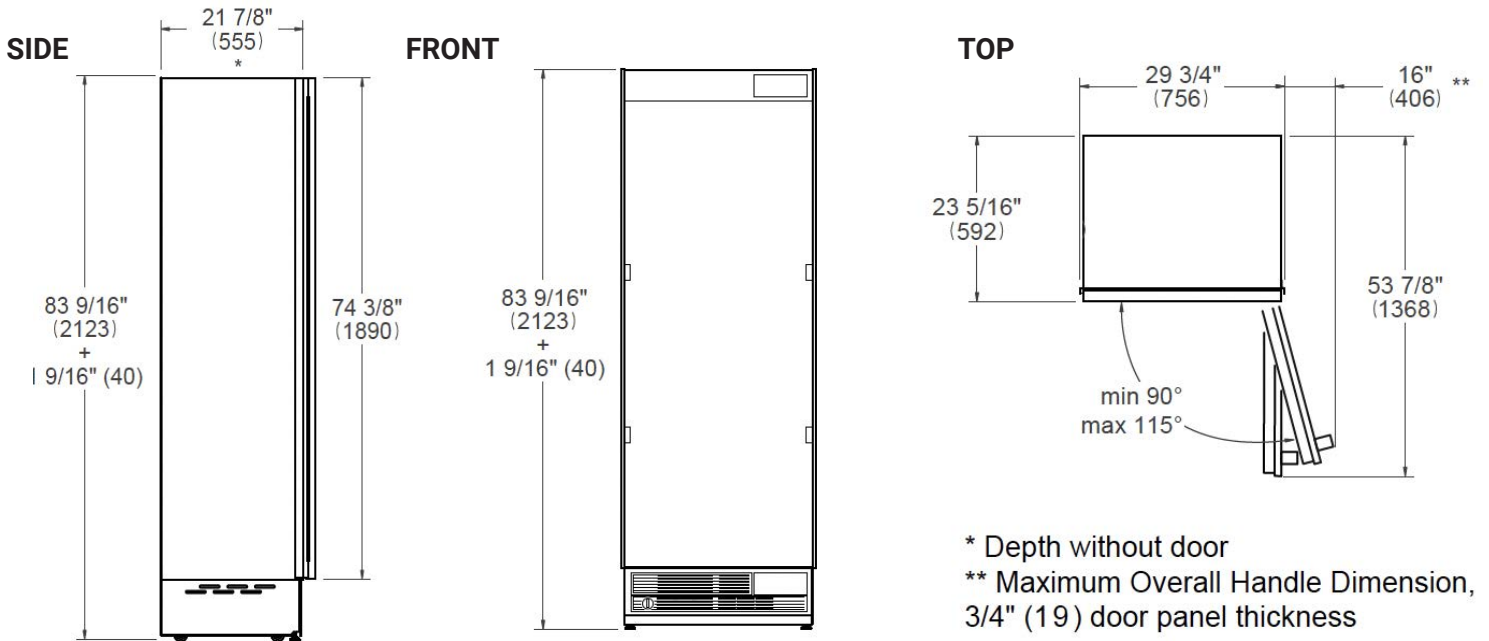
E A properly-grounded, horizontally-mounted electrical receptacle should be installed according to this drawing.

W To connect to the water supply system, use a 1/4" waterline with a minimum length of 60" (1500).

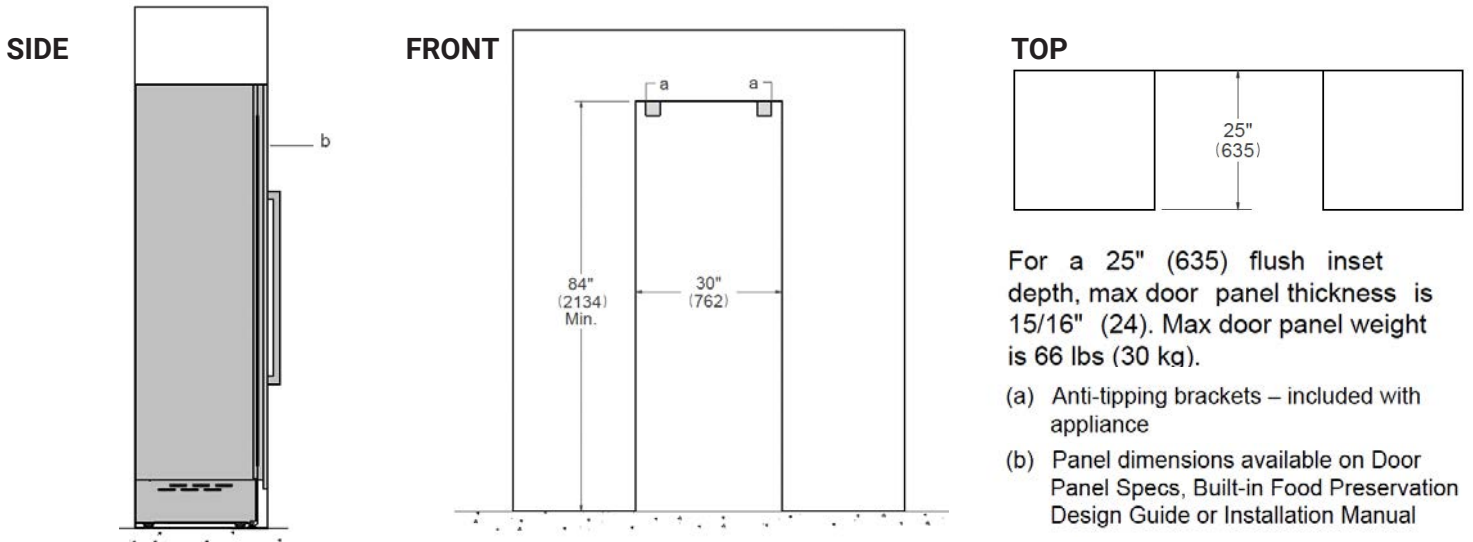
Connection(s) placement within the opening may require additional cabinet depth.



VBCR1661EWE 30" Built-In Refrigerator with Water Dispenser



CUTOUT DIMENSIONS



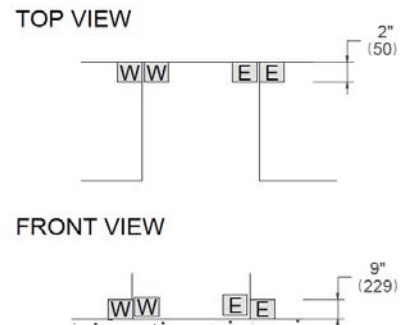
INSTALLATION REQUIREMENTS

If the appliance(s) is not connected through the side profile trims to secured cabinetry anti-tip brackets must be installed.

ELECTRICAL + WATER CONNECTION

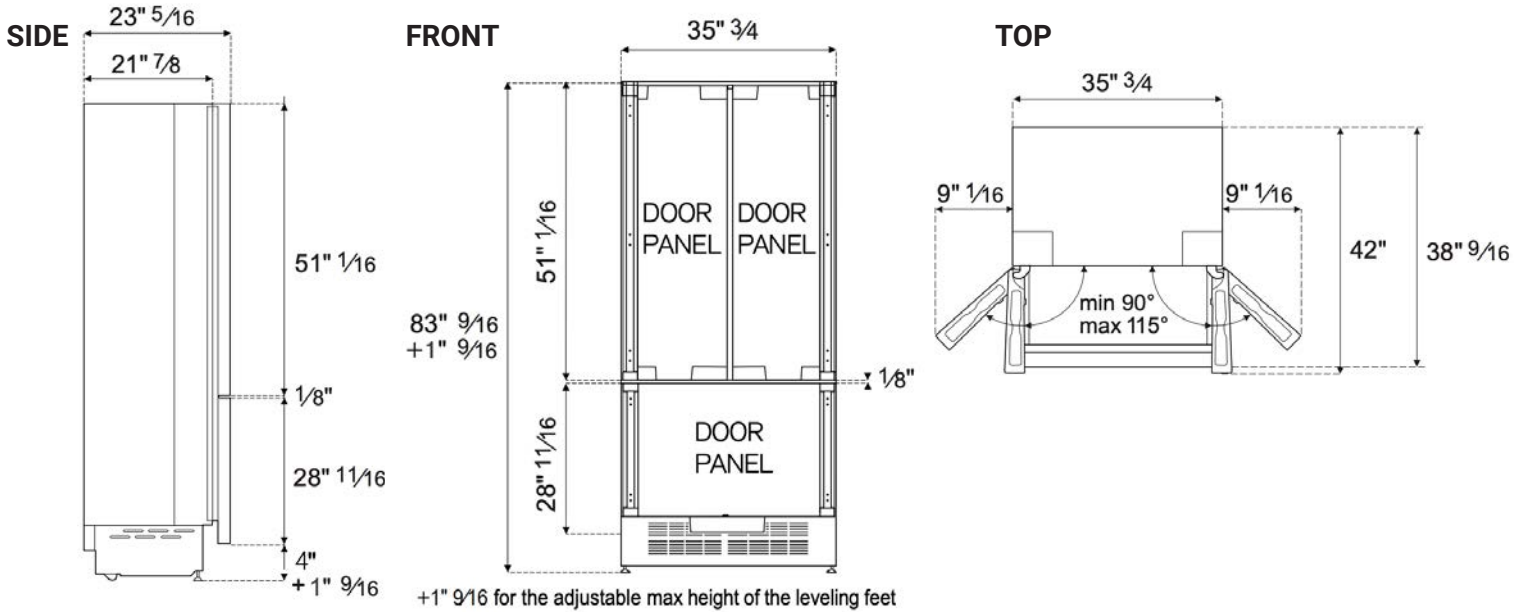
- E** A properly-grounded, horizontally-mounted electrical receptacle should be installed according to this drawing.
- W** To connect to the water supply system, use a 1/4" waterline with a minimum length of 60" (1500).

Connection(s) placement within the opening may require additional cabinet depth.

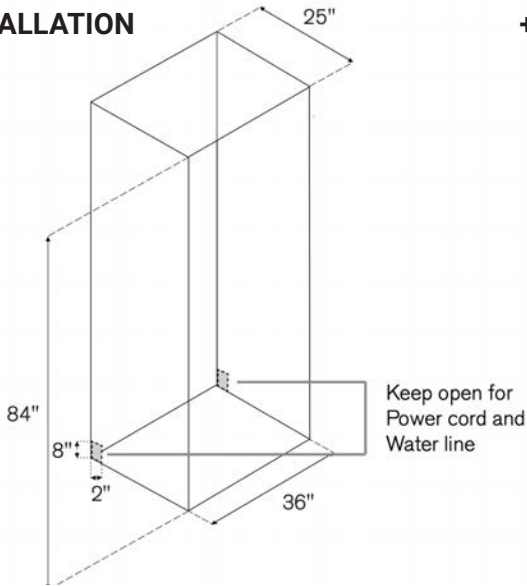


VBFBM1950EWEI

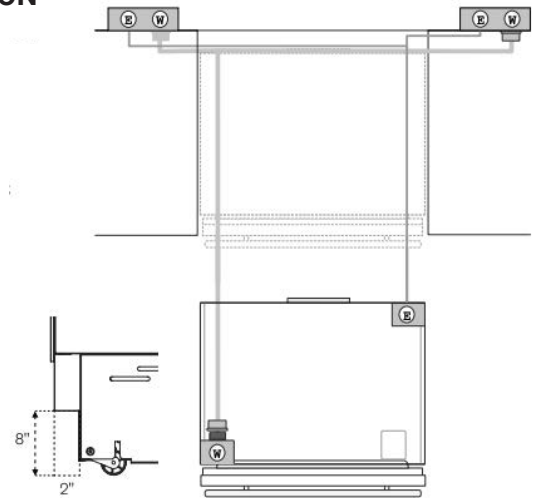
36" Built-In Bottom Freezer French Door Refrigerator with Ice maker



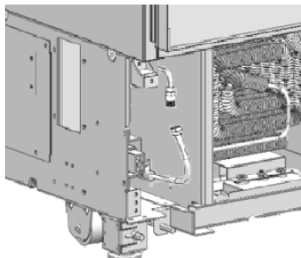
SINGLE INSTALLATION



ELECTRICAL + WATER CONNECTION



INSTALLATION REQUIREMENTS

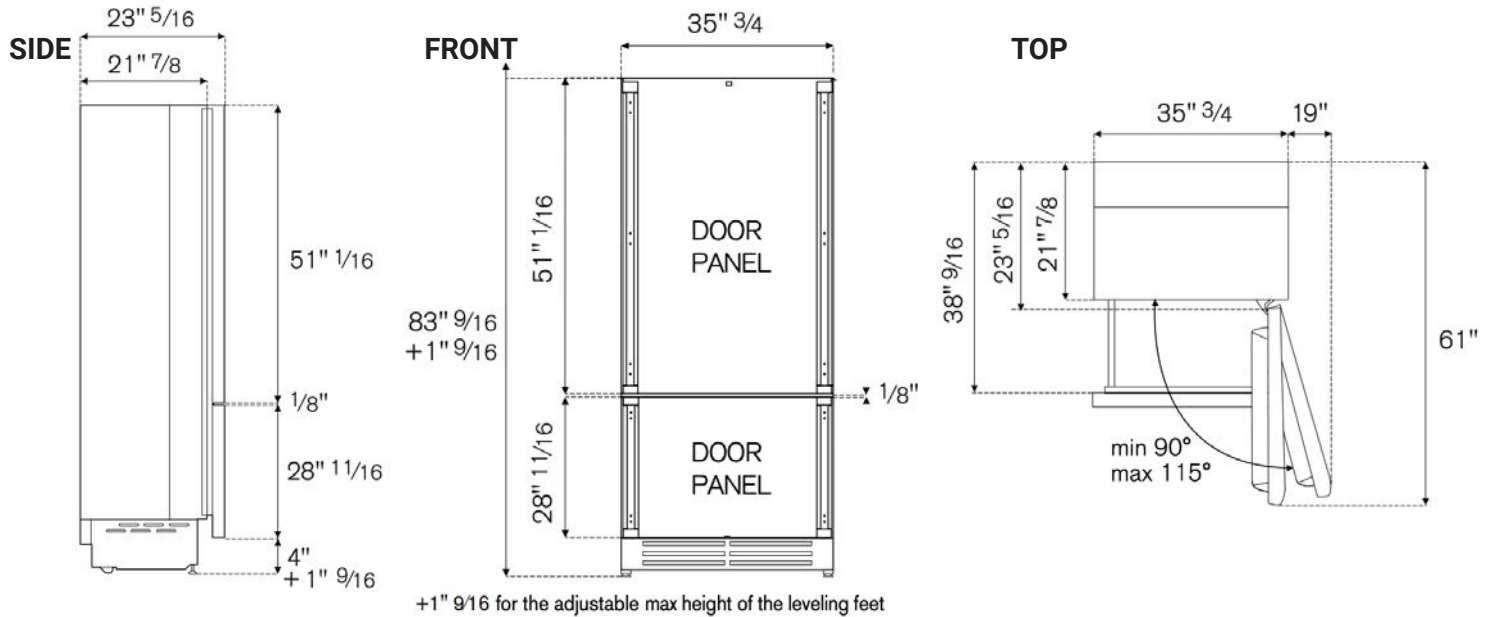


If the appliance(s) is not connected through the side profile trims to secured cabinetry, anti-tip brackets must be installed. The max weight for the cabinet panel is 35 lbs (16kg) for the refrigerator door and 20 lbs (9kg) for the freezer door. For a flush installation, cabinet panels should not be thicker than 15/16".

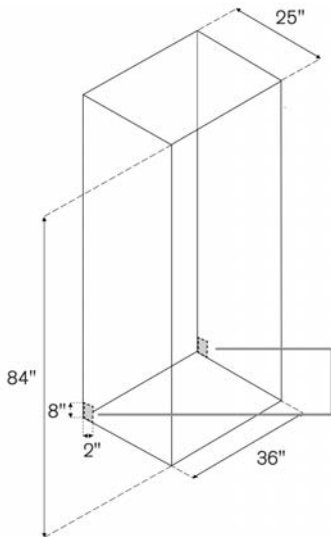
A properly-grounded, electrical receptacle should be installed. A separate circuit breaker servicing only this appliance is recommended. Do not use a multi-purpose socket with other electrical appliances. To connect to the water supply system, use a 1/4" waterline with accessible shut-off valve with a length of 60".

VBBM2000EWEI

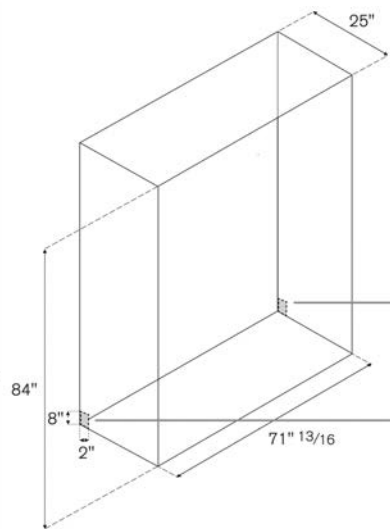
36" Built-In Bottom Freezer Refrigerator with Ice maker



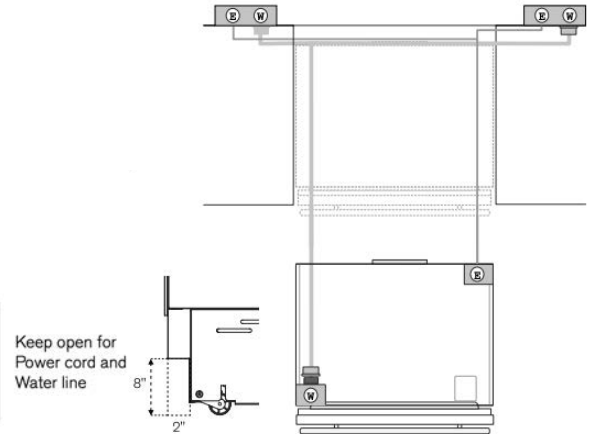
SINGLE INSTALLATION



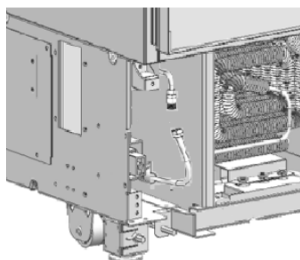
SIDE-BY-SIDE INSTALLATION



ELECTRICAL + WATER CONNECTION



INSTALLATION REQUIREMENTS



If the appliance(s) is not connected through the side profile trims to secured cabinetry, anti-tip brackets must be installed. For a 25" (635) flush inset depth, max door panel thickness is 15/16" (24). Max door panel weight is 66 lbs (30 kg). Anti-tipping brackets are included with the appliance. Panel dimensions available on Door Panel Specs, Built-In Food Preservation Design guide or Installation Manual.

A properly-grounded, electrical receptacle should be installed. A separate circuit breaker servicing only this appliance is recommended. Do not use a multi-purpose socket with other electrical appliances. To connect to the water supply system, use a 1/4" waterline with accessible shut-off valve with a length of 60".