

# Vent A Hood®

## Price | List

PRICES EFFECTIVE

SEPTEMBER 1, 2025



MODE VEGAS

9560 S. Rainbow Blvd.

Las Vegas, NV 89139

P 714.523.1511

**MODE**  
superior products by design

[modedistributing.com](http://modedistributing.com)

LINERS
BH128SLD BL
BH128SLD SS
BH134PSLD SS
BH134SLD BL
BH134SLD SS
BH134SLD WH
BH140SLD SS
BH228PSLD SS
BH228SLD SS
BH234PSLD GS
BH234PSLD SS
BH234SLD BL
BH234SLD GS
BH234SLD SS
BH240PSLD SS
BH240SLD SS
BH246PSLD GS
BH246PSLD SS
BH246SLD SS
BH340PSLB SS
BH346PSLD BL
BH346PSLD SS
BH346SLD SS
BH352PSLD SS
BH358PSLD SS
BH446PSLB SS
BH452PSLD SS
BH458PSLD SS
BH464PSLD SS
TH236SLE SS
TH242SLE SS
TH248SLE SS

M SERIES
M600
M1200
M28PSLD SS
M28SLD SS
M34PSLD SS
M34SLD SS
M40PSLD SS
M40SLD SS
M46PSLD SS
M46SLD SS
PRH18-M36 SS

DESIGNER
JDH236/C2-SS-AS/MSS
JDH242/C2-SS-AS/MSS
JDH248/C2-SS-AS/MSS
JDH348/C2-SS-AS/MSS

K SERIES
KH28SLD BL
KH28SLD GS
KH28SLD SS
KH28SLD WH
KH34SLD BL
KH34SLD SS
KH40SLD SS
PRH6-K30 BL
PRH6-K30 SS
PRH6-K30 WH
PRH6-K36 SS
PRH6-K42 SS
SLH6-K30 SS
SLH6-K30 WH
SLH6-K36 BL
SLH6-K36 SS

DUCT COVERS
IDC-12/12 SS
IDC-12/24 SS
IDC-12/36 SS
IDC-15/24 SS
WDC-10/10 SS
WDC-10/22 SS
WDC-10/34 SS
WDC-12/12 SS
WDC-12/24 SS
WDC-12/36 SS
WDC-26/12 SS
WDC-26/24 SS
WDC-30 SS
WDC-36 SS
WDC-42 SS
WDC-48 SS
WDCRND-10/16 SS
WSDC-12/24 SS

WARMING SHELF
WS030 SS
WS036 SS

ISLAND
EPIH18-236 SS
EPIH18-242 SS
TH236SLE SS
TH242SLE SS
TH248SLE SS

TRANSITIONS
VP500
VP502
VP513
VP514
VP515
VP521
VP526
VP527
VP528
VP529
VP538
VP539-HP
VP541
VP541-HP
VP552
VP552-HP
VP553
VP554
VP555
VP560
VP561
VP562
VP563
VP564
VP565

WALL & UNDER CABINET
CWEH9-236 SS
EPH18-236-SS
EPH18-242-SS
EPTH18-342 SS
EPTH18-348 SS
NEPH18-236 SS
NEPH18-242 SS
NEPH18-248 SS
NEPTH18-348 SS
NPH18-236 SS
NPH18-242 SS
NPH18-348 SS
NPH9-130 SS
NPH9-136 SS
NPH9-230 SS
NPH9-236 SS
NPH9-242 SS
PDH14-130 SS
PDH14-136 SS
PDH14-236 SS
PDH14-242 SS
PRH9-130 BL
PRH9-130 SS
PRH9-130 WH
PRH9-136 SS
PRH9-142 SS
PRH9-230 BL
PRH9-230 SS
PRH9-230 WH
PRH9-236 SS
PRH9-242 SS
PRH18-230 SS
PRH18-236 SS
PRH18-242 SS
PRH18-248 SS
PRH18-342 SS
PRH18-348 SS
PRH18-448 SS
PRH18-454 SS
SEPH18-236 SS
SLH9-230 SS
SLH9-236 SS
SLH18-236 SS
PRXH18-236 SS

# TERMS AND CONDITIONS OF SALE



1. Terms:
  - a. Minimum order of \$15.00 net.
  - b. Net 30 days with approved credit.
2. Prices:
  - a. All prices are subject to change at any time without notice.
3. Cancellation:
  - a. Hoods which are fabricated to purchase orders are non-cancelable upon acceptance by the factory.
  - b. Any changes to orders must be confirmed in writing to Mode Distributing C/O Vent-A-Hood® at the address below and are subject to our ability to conform.  
Mode Distributing  
C/O Vent-A-Hood Company  
9560 S Rainbow Blvd.  
Las Vegas, NV 89139
4. Returns:
  - a. No merchandise may be returned without written consent and shipping instructions.
  - b. Authorized returns are subject to a 25% restocking charge and freight charges.
  - c. Special order items are not subject to return or cancellation.
5. Quick Ship:
  - a. Shaded boxed prices in this document indicate quick ship products. Quick ship products are typically stocked or manufactured within two weeks. Quick ship painted product finishes include black, gunsmoke, and white.
6. Vent-A-Hood® Warranty
  - a. Vent-A-Hood® merchandise is manufactured in accordance with Vent-A-Hood®'s high standards and carries a limited warranty.
  - b. Vent-A-Hood® Magic Lung® Warranty:

Vent-A-Hood® warrants to the original consumer-purchaser its Magic Lung® products to be free of defects in material and workmanship for a period of five years on parts and one year on labor from the date of purchase with the following limitations:

    - A. Freight damage
    - B. Blower wheel damage
    - C. Light bulbs
    - D. Damage or malfunction caused by faulty installation
    - E. Incidental or consequential damage
    - F. Commercial application
    - G. Misapplication or modification of or to any part of the Vent-A-Hood® product
  - c. Vent-A-Hood® V-Line, ARS, M Series, and Remote Blower Warranty:

Vent-A-Hood warrants to the original consumer-purchaser its products to be free of defects in material and workmanship for a period of one year from the date of purchase with the following limitations:

    - A. Freight damage
    - B. Blower wheel damage
    - C. Light bulbs
    - D. Damage or malfunction caused by faulty installation
    - E. Incidental or consequential damage
    - F. Commercial application
    - G. Misapplication or modification of or to any part of the Vent-A-Hood® product
  - d. To make a warranty claim, contact the dealer where the hood was purchased. They will contact the appropriate service agents. It is not necessary to register the product directly with Vent-A-Hood®.

Top Photo on Cover:  
Design by Shay Geyer, Owner & Designer, IBB Design  
Photography by Dan Piassick

<b>MAGIC LUNG®</b>	<b>10</b>	OTHER ISLAND STYLES	42
UNDER CABINET	10	LINER INSERTS	43
PRH9	10	WALL MOUNT LINER INSERTS	43
NPH9	10	BHSLD	43
SLH9	10	BHPSLD	43
XRH9	10	BHPSLB	43
CLH9	11	TLH	44
JCWR9	11	ISLAND LINER INSERTS	45
WALL MOUNT	12	THSLE	45
PROFESSIONAL/STANDARD WALL MOUNT	12	THPSLE	45
PRH18	12	CUSTOM LINER INSERTS	46
NPH18	12	BH-LD	46
SLH18	12	BH-LB	46
XRH18	13	TH-LC	47
DAH18	13	TH-LE	47
PWVH18	13	OTHER ITEMS	48
CXH30	15	BLOWER OPTIONS	48
DAH30	15	REMOTE BLOWERS	49
PWVH30	15	SPLASH PANELS	50
SLH30	16	WARMING LAMPS & SHELVES	51
AH12	17	ACCESSORY RAIL	52
CWH	18	BBQ EXTENSION	53
DESIGNER SERIES WALL MOUNT	19	BANDS, FINISHES, & POT RAILS	54
JCH/A1	19	BAND & LIP TREATMENT ATTACHMENTS	55
JCH/B1	20		
JCH/C1	21		
JCH/C2	22		
JDH/C1	22		
JDH/C2	22		
JDH/C3	23		
JPH/C1	23		
JPH/C2	23		
JCWR18	14		
WALL MOUNT CROWNS	25		
CRN-D6H	25		
CRN-P6H	25		
CRN-S6H	26		
CRN-S4H	26		
CRN-S3H	26		
CONTEMPORARY WALL MOUNT	27		
CWEH9	27		
CWLH9	27		
CWSH3	28		
XLH12	29		
ZTH	30		
EURO-STYLE WALL MOUNT	31		
PDH14	31		
PDL14	31		
SLDH14	31		
EPH18	32		
EPTH18	32		
NEPH18	32		
NEPTH18	32		
SEPH18	33		
SEPTH18	33		
ISLAND	34		
DESIGNER SERIES ISLAND	34		
JCIH/A1	34		
JCIH/B1	34		
JCIH/C1	35		
JDIH/C1	36		
JDIH/C2	36		
JDIH/C3	37		
CONTEMPORARY ISLAND	38		
CIEH9	38		
CILH9	38		
IZTH	39		
EURO-STYLE ISLAND	40		
PYDH18	40		
ISDH18	40		
EPIH18	40		
SEPIH18	40		
EPITH18	41		
SEPITH18	41		
		<b>POWER LUNG</b>	<b>56</b>
		UNDER CABINET	56
		PRH6-K	56
		SLH6-K	56
		WALL MOUNT LINER INSERT	56
		KHSLD	56
		CONTEMPORARY WALL MOUNT	57
		CWEH6-K	57
		GTH-K	57
		CONTEMPORARY ISLAND	57
		CIEH6-K	57
		EURO-STYLE WALL MOUNT	58
		PDH7-K	58
		PDH14-K	58
		<b>ARS DUCT FREE</b>	<b>59</b>
		UNDER CABINET	59
		PRAH6-K	59
		SLAH6-K	59
		WALL MOUNT LINER INSERT	59
		KAHSLD	59
		CONTEMPORARY WALL MOUNT	60
		CWEAH6-K	60
		CONTEMPORARY ISLAND	60
		CIEAH6-K	60
		EURO-STYLE WALL MOUNT	61
		PDAH7-K	61
		PDAH14-K	61
		EURO-STYLE ISLAND	62
		PYDAH18-K	62
		ISDAH18-K	62
		<b>M SERIES</b>	<b>63</b>
		PROFESSIONAL WALL MOUNT	63
		PRH18-M	63
		PRH18-M 30D	63
		CXH18-M	63
		M SERIES EURO-STYLE WALL MOUNT	64
		EPH18-M	64
		EPH18-M 32D	64
		WALL MOUNT LINER INSERTS	65
		MSLD	65
		MPSLD	65
		<b>PARTS &amp; ACCESSORIES</b>	<b>66</b>
		VENTING ACCESSORIES	66
		REPLACEMENT PARTS	67

# TABLE OF CONTENTS - BY MODEL NUMBER

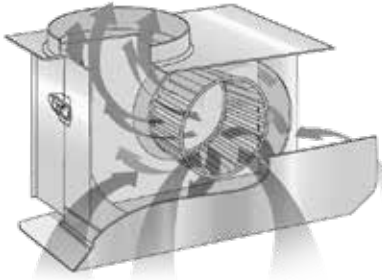


AH12	17	PDAH7-K	61
BH-LB	46	PDAH14-K	61
BH-LD	46	PDH7-K	58
BHPSLB	43	PDH14	31
BHPSLD	43	PDH14-K	58
BHSLD	43	PDL14	31
CIEAH6-K	60	PRAH6-K	59
CIEH6-K	57	PRH6-K	56
CIEH9	38	PRH9	10
CILH9	38	PRH18	12
CLH9	11	PRH18-M	63
CWEAH6-K	60	PRH18-M 30D	63
CWEH6-K	57	PWVH18	13
CWEH9	27	PWVH30	15
CWH	18	PYDAH18-K	62
CWLH9	27	PYDH18	40
CWSH3	28	SEPH18	33
CXH18-M	63	SEPIH18	40
CXH30	15	SEPITH18	41
DAH18	13	SEPTH18	33
DAH30	15	SLAH6-K	59
EPH18	32	SLDH14	31
EPH18-M	64	SLH6-K	56
EPH18-M 32D	64	SLH9	10
EPIH18	40	SLH18	12
EPITH18	41	SLH30	16
EPTH18	32	TH-LC	47
GTH-K	57	TH-LE	47
ISDAH18-K	62	THPSLE	45
ISDH18	40	THSLE	45
IZTH	39	TLH	44
JCH/A1	19	XLH12	29
JCH/B1	20	XRH9	10
JCH/C1	21	XRH18	13
JCH/C2	22	ZTH	30
JCIH/A1	34		
JCIH/B1	34		
JCIH/C1	35		
JCWR9	11		
JCWR18	14		
JDH/C1	22		
JDH/C2	22		
JDH/C3	23		
JDIH/C1	36		
JDIH/C2	36		
JDIH/C3	37		
JPH/C1	23		
JPH/C2	23		
KAHSLD	59		
KHSLD	56		
MPSLD	65		
MSLD	65		
NEPH18	32		
NEPTH18	32		
NPH9	10		
NPH18	12		

*Vent-A-Hood*

VS

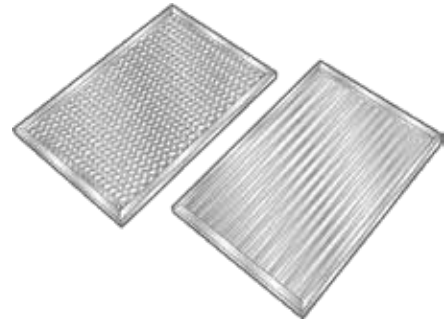
other brands



premium magic lung® blower  
constant 99% centrifugal grease extraction

### Grease Extraction

The patented **Magic Lung®** centrifugal grease extractor collects 99% of the grease 100% of the time (University of Minnesota).



screen/baffle filter  
5% to 60% variable grease extraction



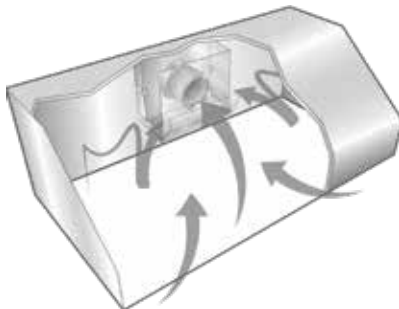
the quietest ventilation available  
300 CFM=5.4 sones  
600 CFM=6.5 sones  
900 CFM=6.3 sones  
1200 CFM=6.6 sones

### Quiet and Powerful

Each **Magic Lung®** blower supplies 300 CFM of air flow—combining multiple blowers will meet any air flow requirement without increasing the noise level. Variable speed blowers become louder and louder as CFM increases.



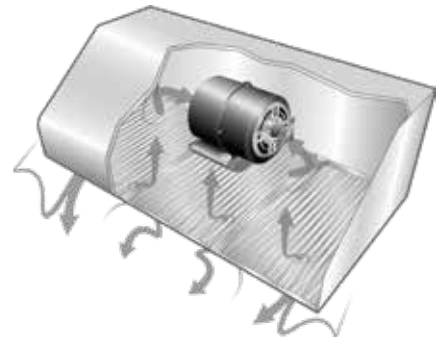
noisy variable speed blower  
300 CFM=6.0 sones  
600 CFM=9.0 sones  
900 CFM=12.0 sones  
1200 CFM=15.0 sones



large active canopy removes contaminants

### Efficient

Filters obstruct air flow and spoil the collector properties of the canopy. A range hood equipped with the **Magic Lung®** blower system is a wide open, active collector that invites contaminants in. A proper collector is the most critical element for good cooking ventilation and requires 1/3 less air flow than a filter-style range hood.



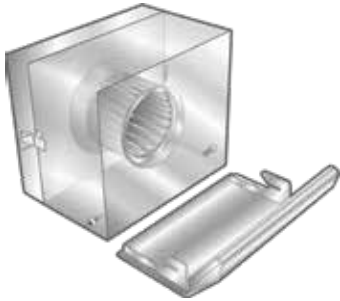
closed canopy restricts air flow

THE VENT-A-HOOD DIFFERENCE

*Vent-A-Hood*  
 Magic Lung® Whisper Quiet Technology

VS

other brands



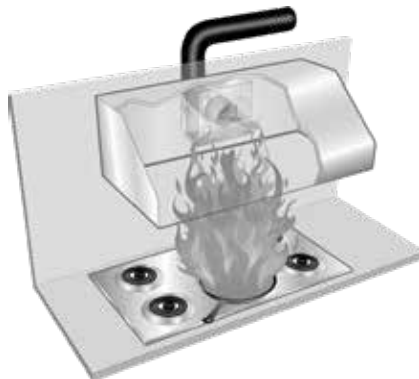
new, simple slide-off grease tray  
 blower housing snaps apart for fast cleaning

easy  
to  
clean

Cleaning the grease from behind the filter is nearly impossible. Access is limited by components and sharp protrusions. Even the motor gets greasy. The new in-the-shield grease tray makes routine cleaning easier than ever. If desired, the **Magic Lung**® blower comes apart for easy cleaning in soapy water or a dishwasher.



difficult to clean  
 grease escaping the filters coats the motors and wiring



no greasy filter to sustain a secondary fire  
 flame has no access to secondary sources of combustion

fire  
safety

The **Magic Lung**® constant-speed blower is designed to keep grease and flame from entering the duct. In over 75 years, Vent-A-Hood has never received a report of an attic or wall fire when the **Magic Lung**® has been in use.



greasy filters and ducting are flammable  
 flame has direct access to multiple sources of combustion

best  
warranty



We've got you covered with the best warranty in the industry. Vent-A-Hood® has long been the most respected name in ventilation. Our products are guaranteed to work and we stand on over 75 years of manufacturing the highest quality ventilation products. Our family is devoted to your satisfaction.



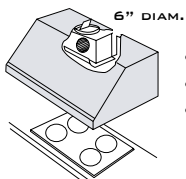
## BLOWER(S) • CANOPY • DUCTING

- The first question you should ask a customer is how many BTUs or wattage are produced by the type of cooking equipment that is in their kitchen.
- The hood, blower system and ducting should be designed to handle the heat being produced from the cooking surface.
- Refer to chart below to determine how many CFM (Cubic Feet per Minute) are needed.

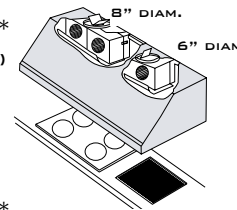
## MATCH NUMBER OF BLOWERS TO COOKING EQUIPMENT

HOOD TYPE	COOKING EQUIPMENT TYPES		MAGIC LUNG® BLOWER(S) (TRUE CFM)	COMPETITOR EQUIVALENT CFM*
	MULTI-BURNER COOKTOP RATING (BTU/WATTS)	BBQ, WOK OR GRIDDLE (BTU/WATTS)		
WALL-MOUNT OR UNDER CABINET	12,000 WATTS	12,000 WATTS	240 CFM K SERIES BLOWER 300 CFM B100 SINGLE BLOWER	360 CFM 450 CFM
UNDER-CABINET	40,000 - 60,000 BTU 24,000 WATTS	40,000 - 60,000 BTU 24,000 WATTS	600 CFM (B200 DUAL BLOWER)	900 CFM
WALL-MOUNT	40,000 - 60,000 BTU	40,000 - 60,000 BTU 24,000 WATTS	600 CFM (B200 DUAL BLOWER)	900 CFM
WALL-MOUNT	60,000 - 90,000 BTU	60,000 BTU 36,000 WATTS	900 CFM (ONE B100 SINGLE BLOWER PLUS ONE B200 DUAL BLOWER)	1350 CFM
WALL-MOUNT	80,000 - 120,000 BTU	80,000 BTU 48,000 WATTS	1200 CFM (TWO B200 DUAL BLOWERS)	1800 CFM
ISLAND	40,000 - 60,000 BTU	40,000 BTU 24,000 WATTS	550 CFM (T200 ISLAND DUAL BLOWER)	900 CFM
ISLAND	80,000 - 120,000 BTU	80,000 BTU 48,000 WATTS	1100 CFM (T400 ISLAND CLUSTER BLOWER)	1800 CFM

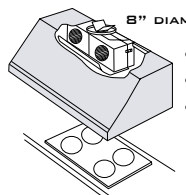
\* Because the Magic Lung® uses centrifugal filtration units rather than conventional baffle or mesh filters, the Magic Lung® Blower can handle cooking equipment with higher cubic feet per minute (CFM) requirements and is much more efficient than other filtration systems. When comparing Magic Lung® blowers to that of other competitor units, Magic Lung CFM ratings reflect true CFM ratings. For example, a competitor's 1800 CFM blower unit has a performance equivalent CFM of 1200 CFM.



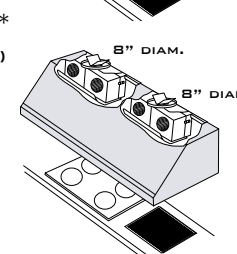
- 300 CFM (450 CFM EQUIVALENT)
- B100 SINGLE BLOWER
- 6" DIAMETER VENT



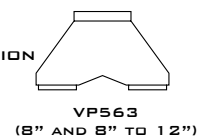
- 900 CFM (1,350 CFM EQUIVALENT)
- B200 DUAL & B100 SINGLE BLOWER
- 8" AND 6" DIAMETER VENTS
- VP562 MULTI BLOWER TRANSITION



- 600 CFM (900 CFM EQUIVALENT)
- B200 DUAL BLOWER
- 8" DIAMETER VENT

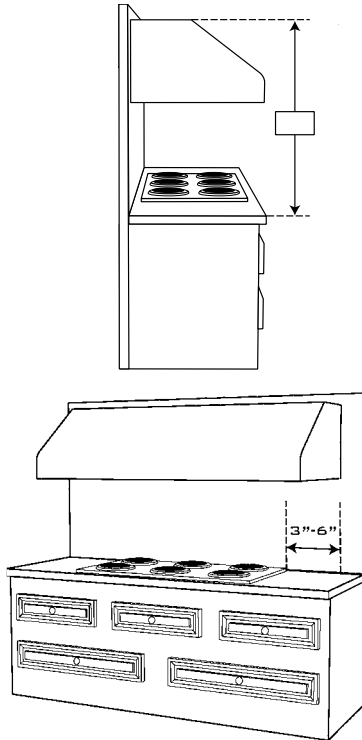


- 1200 CFM (1,800 CFM EQUIVALENT)
- TWO B200 DUAL BLOWERS
- TWO 8" DIAMETER VENTS
- VP563 MULTI BLOWER TRANSITION



# KEYS TO SUPERIOR VENTILATION

## CANOPY SIZE AND PLACEMENT



### WHAT HEIGHT HOOD DO YOU NEED?

THE HOOD HEIGHT IS DEPENDENT UPON THE DISTANCE BETWEEN YOUR COOKING SURFACE AND YOUR CABINET, SOFFIT, OR CEILING.

- 6" UNDER CABINET - FOR 27" TO 30"
- 9" UNDER CABINET - FOR 30" TO 33"
- 18" WALL MOUNT - FOR 48"+
- 30" WALL MOUNT - FOR 60"+

### WHAT WIDTH HOOD DO YOU NEED?

WHEREVER POSSIBLE, THE WIDTH OF THE HOOD SHOULD OVERLAP THE BURNERS 3"-6" ON EACH SIDE. THIS IS A MUST FOR ISLANDS.

- 30"  36"  42"  48"
- 54"  60"  66"  CUSTOM

### WHAT DEPTH HOOD DO YOU NEED?

THE HOOD SHOULD BE DEEP ENOUGH TO COVER ALL BURNERS.

- UNDER CABINET 19-1/2" OR 21" (STANDARD)
- WALL MOUNT 24" STANDARD - MOST PRO-STYLE  
27" PRO-STYLE COOKING
- ISLAND HOOD 27" STANDARD COOKING  
30" PRO-STYLE COOKING

## DUCTING - USE CORRECT SIZE AND INSTALL PROPERLY

### DUCTING DO'S AND DON'TS

- NEVER RESTRICT DUCT SIZE
- RUN THE DUCT AS SHORT AND STRAIGHT AS POSSIBLE
- ENLARGE THE DUCT FOR LONGER RUNS (OVER 20')
- SEAL ALL JOINTS WITH DUCT TAPE
- MAINTAIN 4 TO 5 FOOT SPACING BETWEEN TURNS
- TURNS SHOULD BE SMOOTH AND GRADUAL

### DUCT SIZES

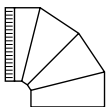
- 12 INCH ROUND DUCT = 113 SQUARE INCHES OF SPACE
- 10 INCH ROUND DUCT = 79 SQUARE INCHES OF SPACE
- 8 INCH ROUND DUCT = 50 SQUARE INCHES OF SPACE
- 7 INCH ROUND DUCT = 38 SQUARE INCHES OF SPACE
- 6 INCH ROUND DUCT = 28 SQUARE INCHES OF SPACE
- 4 INCH ROUND DUCT = 13 SQUARE INCHES OF SPACE



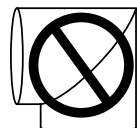
SMOOTH WALLED DUCT



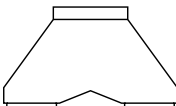
FLEXIBLE DUCT



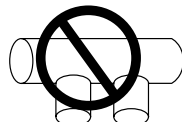
SMOOTH GRADUAL TURN



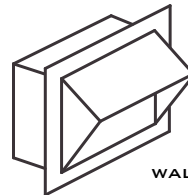
SHARP ANGLED TURN



PROPER COMBINING OF TWO DUCTS

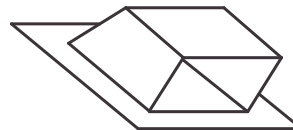


IMPROPER COMBINING OF TWO DUCTS



WALL LOUVER

- 6" ROUND VP526
- 8" ROUND VP528
- 10" ROUND VP554
- 12" ROUND VP555



ROOF JACK

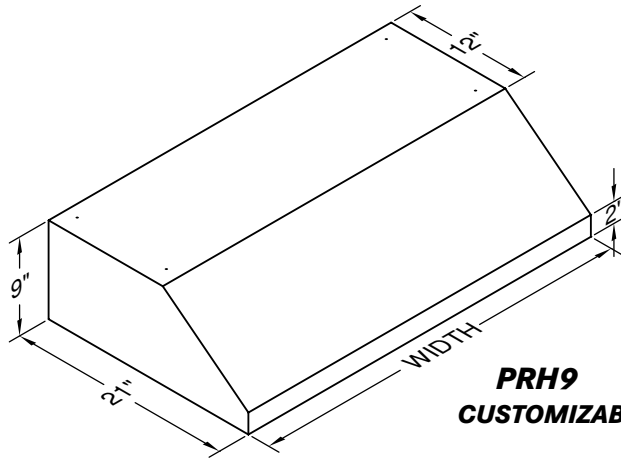
- 6" ROUND VP539-HP
- 8" ROUND VP541-HP
- 10" ROUND VP552-HP
- 12" ROUND VP553-HP

\*INCLUDES GRAVITY DAMPER - USING OTHER LIKE PRODUCTS MAY JEOPARDIZE PERFORMANCE

# UNDER CABINET

REC. MOUNTING HEIGHT FROM COOKING SURFACE: 24"-27"

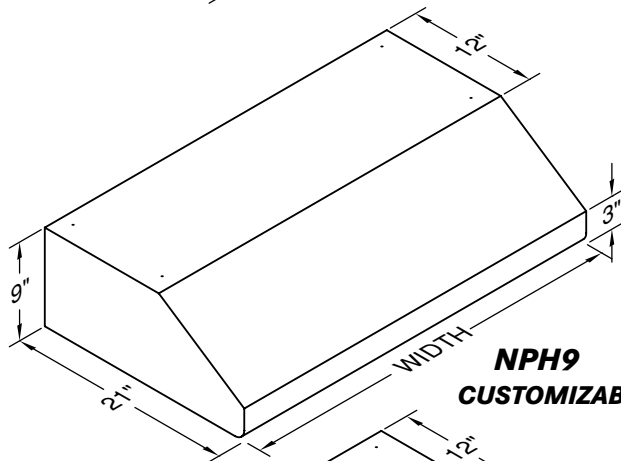
900 CFM OPTIONAL TRANSITION TO 10" ROUND: VP562  
1200 CFM OPTIONAL TRANSITION TO 12" ROUND: VP563



**PRH9**  
**CUSTOMIZABLE!**

<b>PRH9</b>						
Model No.	CFM	Width	Painted	Stainless	Overlay*	#Lts
PRH9-130	300	30"	974	1,238	1,880	2
PRH9-136		36"	974	1,238	1,880	2
PRH9-142		42"	1,159	1,423	2,122	3
PRH9-148		48"	1,219	1,484	2,181	3
PRH9-230	600	30"	1,402	1,702	2,304	2
PRH9-236		36"	1,402	1,702	2,304	2
PRH9-242		42"	1,583	1,888	2,546	3
PRH9-248		48"	1,642	1,947	2,605	3
PRH9-342	900	42"	2,032	2,442	2,995	3
PRH9-348		48"	2,091	2,503	3,054	3
PRH9-448	1200	48"	2,515	2,966	3,478	3

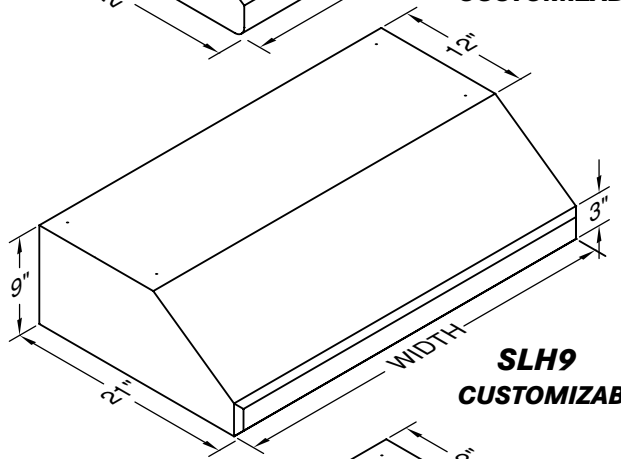
\*FOR OVERLAY MODELS, SPECIFY INTERIOR COLOR.



**NPH9**  
**CUSTOMIZABLE!**

<b>NPH9</b>						
Model No.	CFM	Width	Painted	Stainless	Overlay*	#Lts
NPH9-130	300	30"	1,182	1,561	2,309	2
NPH9-136		36"	1,182	1,561	2,309	2
NPH9-142		42"	1,424	1,834	2,638	3
NPH9-148		48"	1,496	1,908	2,726	3
NPH9-230	600	30"	1,605	2,025	2,733	2
NPH9-236		36"	1,605	2,025	2,733	2
NPH9-242		42"	1,848	2,297	3,061	3
NPH9-248		48"	1,920	2,372	3,149	3
NPH9-342	900	42"	2,297	2,854	3,512	3
NPH9-348		48"	2,369	2,927	3,600	3
NPH9-448	1200	48"	2,793	3,391	4,022	3

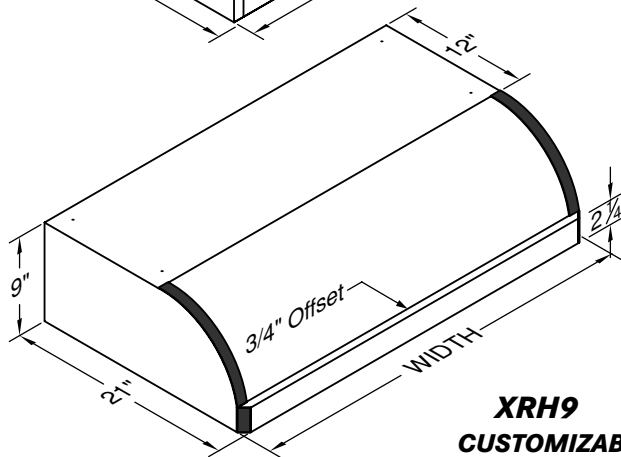
\*FOR OVERLAY MODELS, SPECIFY INTERIOR COLOR.



**SLH9**  
**CUSTOMIZABLE!**

<b>SLH9</b>						
Model No.	CFM	Width	Painted	Stainless	Overlay*	#Lts
SLH9-130	300	30"	1,182	1,561	2,309	2
SLH9-136		36"	1,182	1,561	2,309	2
SLH9-142		42"	1,424	1,834	2,638	3
SLH9-148		48"	1,496	1,908	2,726	3
SLH9-230	600	30"	1,605	2,025	2,733	2
SLH9-236		36"	1,605	2,025	2,733	2
SLH9-242		42"	1,848	2,297	3,061	3
SLH9-248		48"	1,920	2,372	3,149	3
SLH9-342	900	42"	2,297	2,854	3,512	3
SLH9-348		48"	2,369	2,927	3,600	3
SLH9-448	1200	48"	2,793	3,391	4,022	3

\*FOR OVERLAY MODELS, SPECIFY INTERIOR COLOR.



**XRH9**  
**CUSTOMIZABLE!**

<b>XRH9</b>						
Model No.	CFM	Width	Painted	Stainless	Overlay*	#Lts
XRH9-130	300	30"	1,238	1,641	2,433	2
XRH9-136		36"	1,238	1,641	2,433	2
XRH9-142		42"	1,456	1,880	2,695	3
XRH9-148		48"	1,533	1,955	2,785	3
XRH9-230	600	30"	1,662	2,107	2,856	2
XRH9-236		36"	1,662	2,107	2,856	2
XRH9-242		42"	1,880	2,342	3,119	3
XRH9-248		48"	1,956	2,419	3,209	3
XRH9-342	900	42"	2,330	2,899	3,569	3
XRH9-348		48"	2,406	2,974	3,659	3
XRH9-448	1200	48"	2,829	3,439	4,082	3

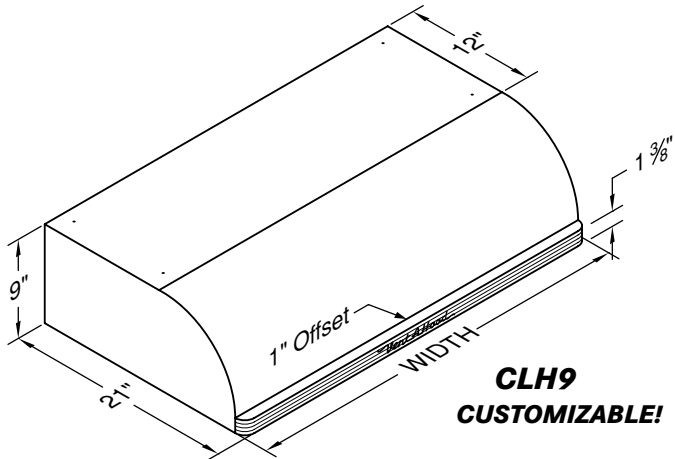
\*FOR OVERLAY MODELS, SPECIFY INTERIOR COLOR.

\*THERE ARE NO STANDARD BANDS ON OVERLAY MODELS.  
1" SS BANDS INCLUDED ON PAINTED AND STAINLESS MODELS.

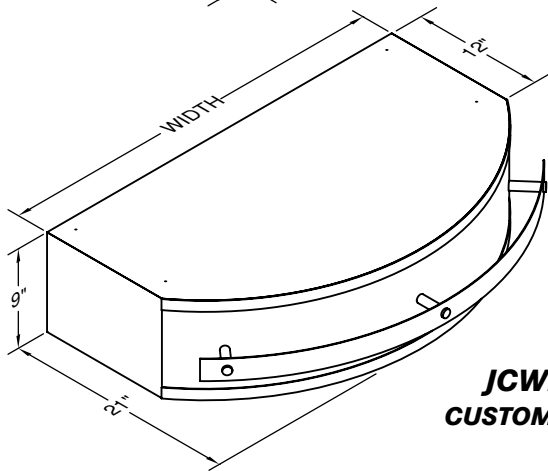
# UNDER CABINET

REC. MOUNTING HEIGHT FROM  
COOKING SURFACE: 24"-27"

900 CFM OPTIONAL TRANSITION TO 10" ROUND: VP562  
1200 CFM OPTIONAL TRANSITION TO 12" ROUND: VP563



**CLH9**  
**CUSTOMIZABLE!**



**JCWR9**  
**CUSTOMIZABLE!**

### CLH9

Model No.	CFM	Width	Painted	#Lts
CLH9-130	300	30"	1,226	2
CLH9-136		36"	1,226	2
CLH9-142		42"	1,443	3
CLH9-148		48"	1,518	3
CLH9-230	600	30"	1,646	2
CLH9-236		36"	1,646	2
CLH9-242		42"	1,863	3
CLH9-248		48"	1,937	3
CLH9-342	900	42"	2,308	3
CLH9-348		48"	2,384	3
CLH9-448	1200	48"	2,803	3

### JCWR9

Model No.	CFM	Width	Stainless	#Lts
JCWR9-130	300	30"	2,125	2
JCWR9-136		36"	2,139	2
JCWR9-142		42"	2,387	3
JCWR9-148		48"	2,477	3
JCWR9-230	600	30"	2,543	2
JCWR9-236		36"	2,560	2
JCWR9-242		42"	2,807	3
JCWR9-248		48"	2,896	3
JCWR9-342	900	42"	3,437	3
JCWR9-348		48"	3,533	3
JCWR9-448	1200	48"	3,762	3

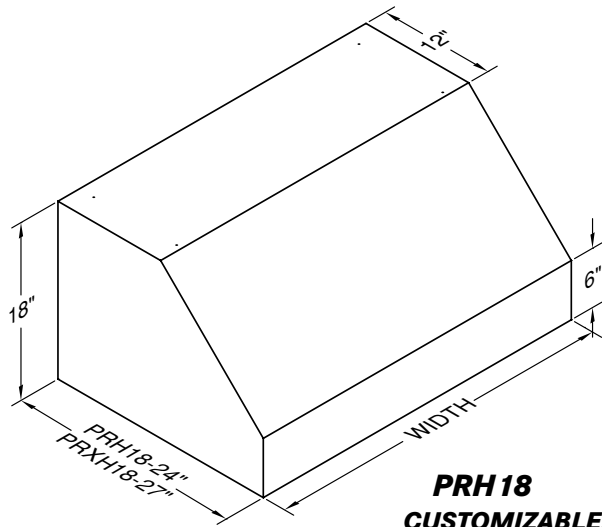
### 9" TALL UNDER CABINET VARIATIONS

WIDTHS OVER 48"				SPECIAL BLOWER LOCATION	
FOR EACH 6" INCREMENT	PAINTED 214	STAINLESS 307	OVERLAY 381	LEFT TO RIGHT, SPECIFY COLLAR CENTERLINE	
PLUS		276		ADD	276
SPECIAL WIDTH (LESS THAN 48")				REMOTE BLOWER OPTIONS	
USE NEXT LARGEST SIZE ON PRICE LIST, PLUS				SEE PAGE 49 FOR REMOTE BLOWER OPTIONS	
STAINLESS STEEL INTERIOR ON OVERLAY HOOD				TRIM OPTIONS	
SUBTRACT PAINTED HOOD PRICE FROM STAINLESS HOOD PRICE				XR HOOD TRIM, NON-STANDARD COLOR	
CUSTOM COLOR (SEE CUSTOM COLOR CHART)				JCWR9/XR HOOD TRIM, REMOVE	
ADD				863	
				WARMING LAMPS AND SHELVES	
				SEE PAGES 54-55 FOR FINISH AND TRIM OPTIONS	
				SEE PAGES 51 FOR WARMING LAMP AND SHELF OPTIONS	

# PROFESSIONAL/STANDARD WALL MOUNT

REC. MOUNTING HEIGHT FROM COOKING SURFACE: 30"

900 CFM OPTIONAL TRANSITION TO 10" ROUND: VP562  
1200 CFM OPTIONAL TRANSITION TO 12" ROUND: VP563

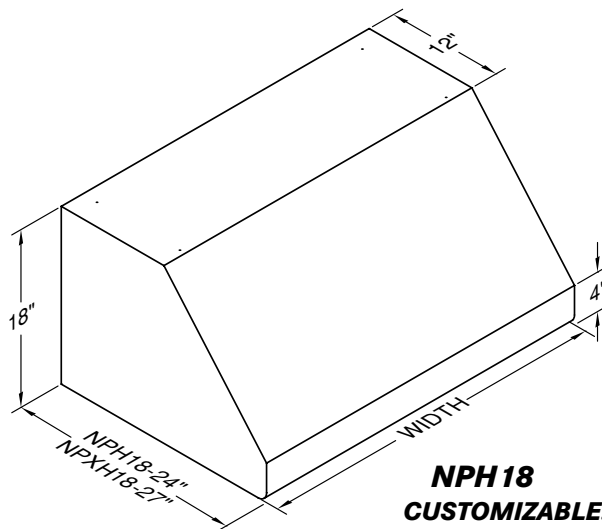


**PRH18**  
**CUSTOMIZABLE!**

**PRH18/PRXH18**

Model No.	CFM	Width	Painted	Stainless	Overlay*	# Lts
PRH18-130	300	30"	1,495	2,049	3,088	2
PRH18-136		36"	1,523	2,078	3,219	2
PRH18-142		42"	1,741	2,265	3,555	3
PRH18-148		48"	1,830	2,398	3,733	3
PRH18-230	600	30"	1,938	2,535	3,531	2
PRH18-236		36"	1,968	2,562	3,662	2
PRH18-242		42"	2,184	2,750	3,999	3
PRH18-248		48"	2,348	2,883	4,176	3
PRH18-254		54"	2,667	3,483	4,880	4
PRH18-342	900	42"	2,654	3,332	4,469	3
PRH18-348		48"	2,742	3,466	4,647	3
PRH18-354		54"	3,138	4,065	5,351	4
PRH18-360		60"	3,388	4,405	5,778	4
PRH18-448	1200	48"	3,186	3,950	5,090	3
PRH18-454		54"	3,580	4,551	5,792	4
PRH18-460		60"	3,832	4,892	6,222	4
PRH18-466		66"	3,993	4,994	6,560	4

USE PRXH18 MODEL NUMBER PREFIX FOR 27" DEPTH PROJECTION.  
\*FOR OVERLAY MODELS, SPECIFY INTERIOR COLOR.

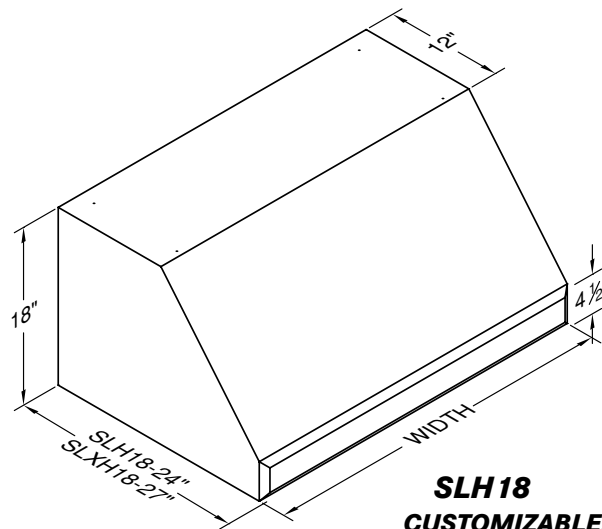


**NPH18**  
**CUSTOMIZABLE!**

**NPH18/NPXH18**

Model No.	CFM	Width	Painted	Stainless	Overlay*	# Lts
NPH18-130	300	30"	1,996	2,608	3,589	2
NPH18-136		36"	2,027	2,638	3,723	2
NPH18-142		42"	2,316	2,839	4,057	3
NPH18-148		48"	2,330	2,958	4,231	3
NPH18-230	600	30"	2,440	3,095	4,032	2
NPH18-236		36"	2,467	3,124	4,165	2
NPH18-242		42"	2,686	3,325	4,499	3
NPH18-248		48"	2,774	3,442	4,677	3
NPH18-254		54"	3,168	3,986	5,380	4
NPH18-342	900	42"	3,156	3,908	4,972	3
NPH18-348		48"	3,245	4,024	5,147	3
NPH18-354		54"	3,639	4,568	5,853	4
NPH18-360		60"	3,890	4,905	6,295	4
NPH18-448	1200	48"	3,689	4,512	5,591	3
NPH18-454		54"	4,082	5,052	6,295	4
NPH18-460		60"	4,333	5,392	6,740	4
NPH18-466		66"	4,511	5,597	7,063	4

USE NPXH18 MODEL NUMBER PREFIX FOR 27" DEPTH PROJECTION.  
\*FOR OVERLAY MODELS, SPECIFY INTERIOR COLOR.



**SLH18**  
**CUSTOMIZABLE!**

**SLH18/SLXH18**

Model No.	CFM	Width	Painted	Stainless	Overlay*	# Lts
SLH18-130	300	30"	1,996	2,608	3,589	2
SLH18-136		36"	2,027	2,638	3,723	2
SLH18-142		42"	2,316	2,839	4,057	3
SLH18-148		48"	2,330	2,958	4,231	3
SLH18-230	600	30"	2,440	3,095	4,032	2
SLH18-236		36"	2,467	3,124	4,165	2
SLH18-242		42"	2,686	3,325	4,499	3
SLH18-248		48"	2,774	3,442	4,677	3
SLH18-254		54"	3,168	3,986	5,380	4
SLH18-342	900	42"	3,156	3,908	4,972	3
SLH18-348		48"	3,245	4,024	5,147	3
SLH18-354		54"	3,639	4,568	5,853	4
SLH18-360		60"	3,890	4,905	6,295	4
SLH18-448	1200	48"	3,689	4,512	5,591	3
SLH18-454		54"	4,082	5,052	6,295	4
SLH18-460		60"	4,333	5,392	6,740	4
SLH18-466		66"	4,511	5,597	7,063	4

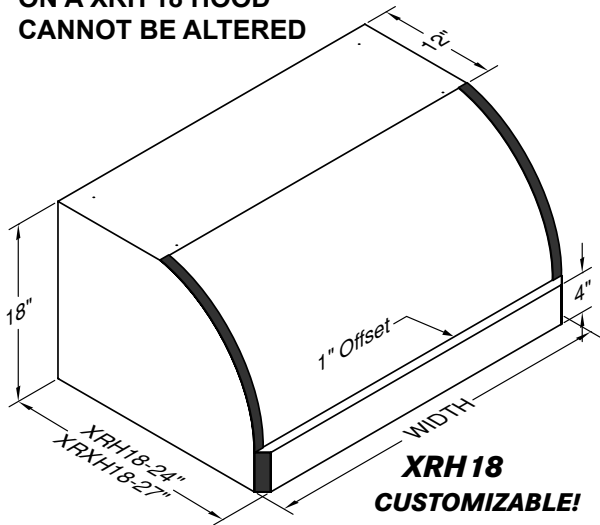
USE SLXH18 MODEL NUMBER PREFIX FOR 27" DEPTH PROJECTION.  
\*FOR OVERLAY MODELS, SPECIFY INTERIOR COLOR.

# PROFESSIONAL/STANDARD WALL MOUNT

REC. MOUNTING HEIGHT FROM  
COOKING SURFACE: 30"

900 CFM OPTIONAL TRANSITION TO 10" ROUND: VP562  
1200 CFM OPTIONAL TRANSITION TO 12" ROUND: VP563

THE LIP OR OFFSET  
ON A XRH 18 HOOD  
CANNOT BE ALTERED



**XRH 18**  
**CUSTOMIZABLE!**

## XRH 18/XRXH 18

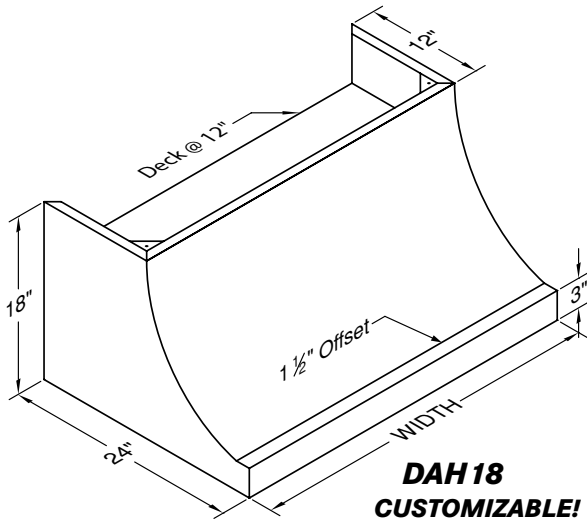
Model No.	CFM	Width	Painted	Stainless	Overlay*	# Lts
XRH 18-130	300	30"	1,996	2,608	3,589	2
XRH 18-136		36"	2,027	2,638	3,723	2
XRH 18-142		42"	2,316	2,839	4,057	3
XRH 18-148		48"	2,330	2,958	4,231	3
XRH 18-230	600	30"	2,440	3,095	4,032	2
XRH 18-236		36"	2,467	3,124	4,165	2
XRH 18-242		42"	2,686	3,325	4,499	3
XRH 18-248		48"	2,774	3,442	4,677	3
XRH 18-254	900	54"	3,168	3,986	5,380	4
XRH 18-342		42"	3,156	3,908	4,972	3
XRH 18-348		48"	3,245	4,024	5,147	3
XRH 18-354		54"	3,639	4,568	5,853	4
XRH 18-360	1200	60"	3,890	4,905	6,295	4
XRH 18-448		48"	3,689	4,512	5,591	3
XRH 18-454		54"	4,082	5,052	6,295	4
XRH 18-460		60"	4,333	5,392	6,740	4
XRH 18-466		66"	4,511	5,597	7,063	4

USE XRXH 18 MODEL NUMBER PREFIX FOR 27" DEPTH PROJECTION.

\* FOR OVERLAY MODELS, SPECIFY INTERIOR COLOR.

\* THERE ARE NO STANDARD BANDS ON OVERLAY MODELS.

1" SS BANDS INCLUDED ON PAINTED AND STAINLESS MODELS.

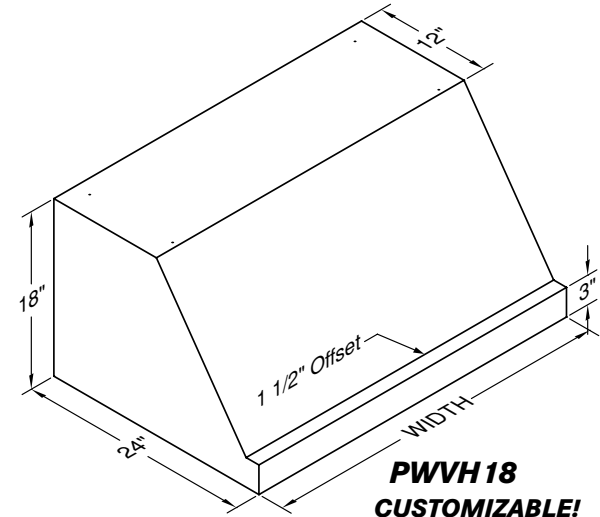


**DAH 18**  
**CUSTOMIZABLE!**

## DAH 18

Model No.	CFM	Width	Painted	Stainless	Overlay*	# Lts
DAH 18-130	300	30"	2,290	2,937	3,969	2
DAH 18-136		36"	2,336	2,983	4,107	2
DAH 18-142		42"	2,558	3,176	4,454	3
DAH 18-148		48"	2,667	3,316	4,638	3
DAH 18-230	600	30"	2,732	3,421	4,412	2
DAH 18-236		36"	2,778	3,468	4,551	2
DAH 18-242		42"	3,002	3,661	4,898	3
DAH 18-248		48"	3,110	3,801	5,082	3
DAH 18-254	900	54"	3,503	4,365	5,814	4
DAH 18-342		42"	3,472	4,244	5,368	3
DAH 18-348		48"	3,580	4,383	5,553	3
DAH 18-354		54"	3,973	4,947	6,285	4
DAH 18-360	1200	60"	4,235	5,303	6,731	4
DAH 18-448		48"	4,024	4,869	5,996	3
DAH 18-454		54"	4,417	5,434	6,729	4
DAH 18-460		60"	4,678	5,788	7,174	4
DAH 18-466		66"	4,847	6,007	7,529	4

\* FOR OVERLAY MODELS, SPECIFY INTERIOR COLOR.



**PWVH 18**  
**CUSTOMIZABLE!**

## PWVH 18

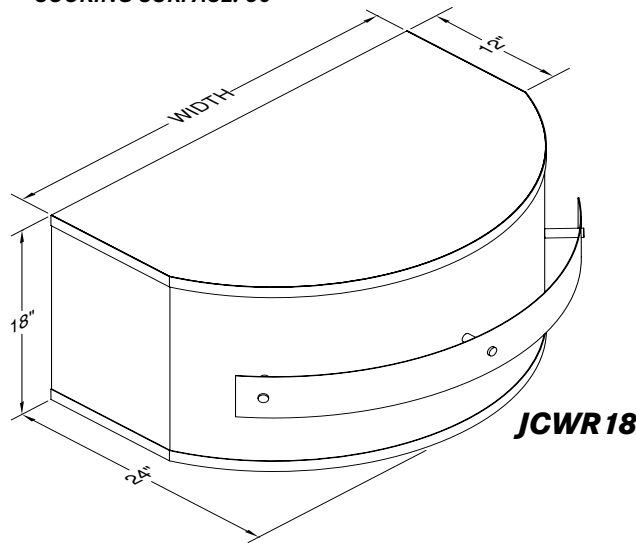
Model No.	CFM	Width	Painted	Stainless	Overlay*	# Lts
PWVH 18-130	300	30"	2,290	2,937	3,969	2
PWVH 18-136		36"	2,336	2,983	4,107	2
PWVH 18-142		42"	2,558	3,176	4,454	3
PWVH 18-148		48"	2,667	3,316	4,638	3
PWVH 18-230	600	30"	2,732	3,421	4,412	2
PWVH 18-236		36"	2,778	3,468	4,551	2
PWVH 18-242		42"	3,002	3,661	4,898	3
PWVH 18-248		48"	3,110	3,801	5,082	3
PWVH 18-254	900	54"	3,503	4,365	5,814	4
PWVH 18-342		42"	3,472	4,244	5,368	3
PWVH 18-348		48"	3,580	4,383	5,553	3
PWVH 18-354		54"	3,973	4,947	6,285	4
PWVH 18-360	1200	60"	4,235	5,303	6,731	4
PWVH 18-448		48"	4,024	4,869	5,996	3
PWVH 18-454		54"	4,417	5,434	6,729	4
PWVH 18-460		60"	4,678	5,788	7,174	4
PWVH 18-466		66"	4,847	6,007	7,529	4

\* FOR OVERLAY MODELS, SPECIFY INTERIOR COLOR.

# PROFESSIONAL/STANDARD WALL MOUNT

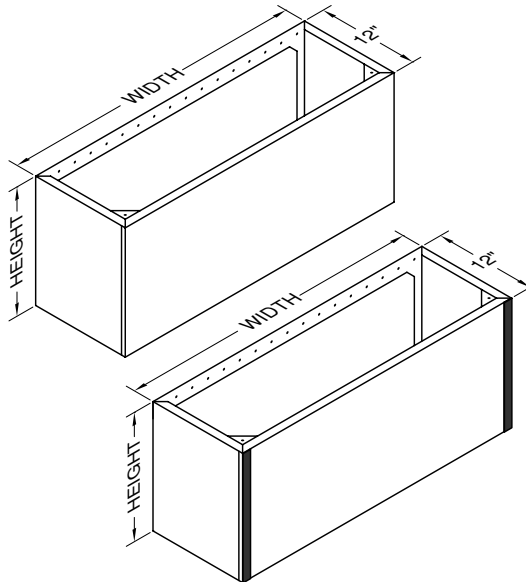
REC. MOUNTING HEIGHT FROM COOKING SURFACE: 30"

900 CFM OPTIONAL TRANSITION TO 10" ROUND: VP562  
1200 CFM OPTIONAL TRANSITION TO 12" ROUND: VP563



### JCWR 18

Model No.	CFM	Width	Stainless	# Lts
JCWR18-130	300	30"	3,214	2
JCWR18-136		36"	3,292	2
JCWR18-142		42"	3,546	3
JCWR18-148		48"	3,669	3
JCWR18-230	600	30"	3,643	2
JCWR18-236		36"	3,721	2
JCWR18-242		42"	3,976	3
JCWR18-248		48"	4,099	3
JCWR18-254	900	54"	4,867	4
JCWR18-342		42"	4,432	3
JCWR18-348		48"	4,556	3
JCWR18-354		54"	5,322	4
JCWR18-360	1200	60"	5,786	4
JCWR18-448		48"	4,985	3
JCWR18-454		54"	5,752	4
JCWR18-460		60"	6,217	4
JCWR18-466		66"	6,248	4



### WDCRND/XDCRND

Model No.	Width	Height	Painted	Stainless	Overlay	Ceiling
WDCRND-30	30"	12"	624	737	908	8'
WDCRND-30/24		24"	822	1,035	1,388	9'
WDCRND-30/36		36"	1,004	1,346	1,855	10'
WDCRND-36	36"	12"	666	792	1,004	8'
WDCRND-36/24		24"	892	1,162	1,572	9'
WDCRND-36/36		36"	1,133	1,529	2,138	10'
WDCRND-42	42"	12"	709	864	1,090	8'
WDCRND-42/24		24"	978	1,289	1,756	9'
WDCRND-42/36		36"	1,247	1,713	2,422	10'
WDCRND-48	48"	12"	737	921	1,189	8'
WDCRND-48/24		24"	1,048	1,402	1,955	9'
WDCRND-48/36		36"	1,360	1,884	2,703	10'
WDCRND-54	54"	12"	779	978	1,289	8'
WDCRND-60	60"	12"	822	1,035	1,388	8'
WDCRND-66	66"	12"	864	1,105	1,473	8'
CUSTOM	WIDTH X HEIGHT X		0.57	0.92	1.44	
	PLUS			473		
FINISHED TOP	WIDTH X DEPTH X		0.57	0.92	1.44	
	PLUS			276		
SLOPED TOP •	ADD			473		

USE XDCRND MODEL NUMBER PREFIX FOR XRH18/XRXH18 HOODS.  
1" SS BANDS INCLUDED ON PAINTED AND STAINLESS XDCRND MODELS.  
CEILING BASED ON REC. MAXIMUM MOUNTING HEIGHT FOR 18" TALL WALL MOUNT HOOD.  
• SPECIFY FRONT TO BACK OR LEFT TO RIGHT DIMENSIONS.

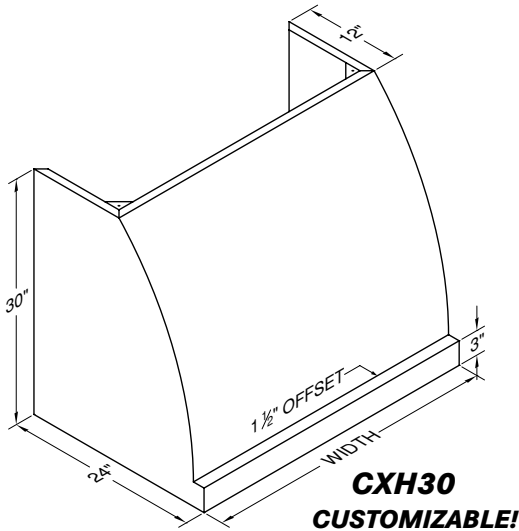
### 18" TALL WALL MOUNT HOOD VARIATIONS

<b>WIDTHS OVER 66"</b>				<b>CLIPPED CORNER (NON-NP/SL/XR MODELS)</b>	
FOR EACH 6" INCREMENT	PAINTED 214	STAINLESS 307	OVERLAY 381	PER CORNER, ADD	473
PLUS		276		<b>SPECIAL BLOWER LOCATION</b>	
<b>SPECIAL WIDTH (LESS THAN 66")</b>				LEFT TO RIGHT, SPECIFY COLLAR CENTERLINE	
USE NEXT LARGEST SIZE ON PRICE LIST,				ADD	276
PLUS		276		<b>SPECIAL DECK (9" MINIMUM)</b>	
<b>SPECIAL HEIGHT (LESS THAN STANDARD HOOD HEIGHT)</b>				ADD	276
USE STANDARD HOOD PRICE,				<b>STAINLESS STEEL INTERIOR ON OVERLAY HOOD</b>	
PLUS		473		SUBTRACT PAINTED HOOD PRICE FROM STAINLESS HOOD PRICE	
<b>DEPTH OVER 24" (EXCLUDING 27" WHERE APPLICABLE)</b>				<b>ADDITIONAL BLOWERS &amp; LIGHTS</b>	
WIDTH X EXTRA DEPTH X	PAINTED 1.37	STAINLESS 2.01	OVERLAY 2.73	SEE PAGE 48 FOR BLOWER OPTIONS	
PLUS		473		<b>REMOTE BLOWER OPTIONS</b>	
<b>SPECIAL DEPTH (LESS THAN 24")</b>				SEE PAGE 49 FOR REMOTE BLOWER OPTIONS	
USE STANDARD HOOD PRICE,				<b>CUSTOM COLOR (SEE CUSTOM COLOR CHART)</b>	
PLUS		473		ADD	863
<b>SLOPE, LIP, OFFSET, OR TOP VARIATION</b>				<b>TRIM OPTIONS</b>	
PER VARIATION, ADD		473		XR HOOD TRIM, NON-STANDARD COLOR	138
<b>CONCAVE, CONVEX, SLOPED END (NON-OVERLAY SL MODELS)</b>				JCWR18/XR HOOD TRIM, REMOVE	138
TOP WIDTH REDUCED BY 6" EACH. PER END, ADD			473	SEE PAGES 54-55 FOR FINISH AND TRIM OPTIONS	
				<b>WARMING LAMPS AND SHELVES</b>	
				SEE PAGES 51 FOR WARMING LAMP AND SHELF OPTIONS	

# PROFESSIONAL/STANDARD WALL MOUNT

REC. MOUNTING HEIGHT FROM COOKING SURFACE: 30"

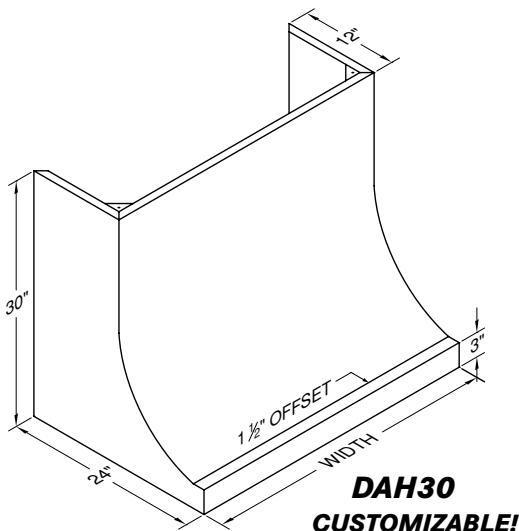
900 CFM OPTIONAL TRANSITION TO 10" ROUND: VP562  
1200 CFM OPTIONAL TRANSITION TO 12" ROUND: VP563



### CXH30

Model No.	CFM	Width	Painted	Stainless	Overlay*	# Lts
CXH30-130	300	30"	3,001	4,053	5,695	2
CXH30-136		36"	3,160	4,275	6,108	2
CXH30-142		42"	3,501	4,678	6,747	3
CXH30-148		48"	3,724	4,965	7,224	3
CXH30-230	600	30"	3,445	4,538	6,139	2
CXH30-236		36"	3,604	4,761	6,552	2
CXH30-242		42"	3,944	5,164	7,191	3
CXH30-248		48"	4,167	5,452	7,668	3
CXH30-254	900	54"	4,777	6,319	8,829	4
CXH30-342		42"	4,415	5,745	7,663	3
CXH30-348		48"	4,637	6,034	8,139	3
CXH30-354		54"	5,250	6,899	9,299	4
CXH30-360	1200	60"	5,664	7,456	10,063	4
CXH30-448		48"	5,082	6,519	8,583	3
CXH30-454		54"	5,693	7,387	9,744	4
CXH30-460		60"	6,107	7,942	10,504	4
CXH30-466		66"	6,409	8,357	11,154	4

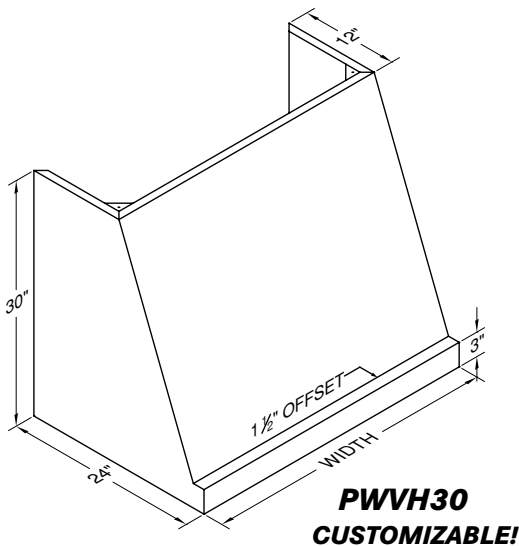
\*FOR OVERLAY MODELS, SPECIFY INTERIOR COLOR.



### DAH30

Model No.	CFM	Width	Painted	Stainless	Overlay*	# Lts
DAH30-130	300	30"	3,001	4,053	5,695	2
DAH30-136		36"	3,160	4,275	6,108	2
DAH30-142		42"	3,501	4,678	6,747	3
DAH30-148		48"	3,724	4,965	7,224	3
DAH30-230	600	30"	3,445	4,538	6,139	2
DAH30-236		36"	3,604	4,761	6,552	2
DAH30-242		42"	3,944	5,164	7,191	3
DAH30-248		48"	4,167	5,452	7,668	3
DAH30-254	900	54"	4,777	6,319	8,829	4
DAH30-342		42"	4,415	5,745	7,663	3
DAH30-348		48"	4,637	6,034	8,139	3
DAH30-354		54"	5,250	6,899	9,299	4
DAH30-360	1200	60"	5,664	7,456	10,063	4
DAH30-448		48"	5,082	6,519	8,583	3
DAH30-454		54"	5,693	7,387	9,744	4
DAH30-460		60"	6,107	7,942	10,504	4
DAH30-466		66"	6,409	8,357	11,154	4

\*FOR OVERLAY MODELS, SPECIFY INTERIOR COLOR.



### PWVH30

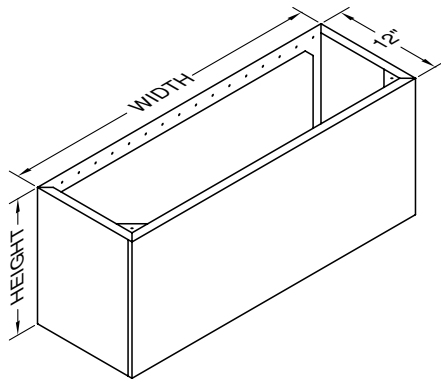
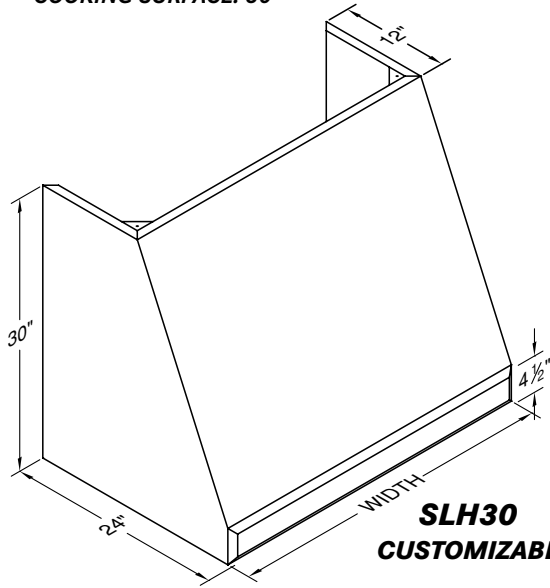
Model No.	CFM	Width	Painted	Stainless	Overlay*	# Lts
PWVH30-130	300	30"	3,001	4,053	5,695	2
PWVH30-136		36"	3,160	4,275	6,108	2
PWVH30-142		42"	3,501	4,678	6,747	3
PWVH30-148		48"	3,724	4,965	7,224	3
PWVH30-230	600	30"	3,445	4,538	6,139	2
PWVH30-236		36"	3,604	4,761	6,552	2
PWVH30-242		42"	3,944	5,164	7,191	3
PWVH30-248		48"	4,167	5,452	7,668	3
PWVH30-254	900	54"	4,777	6,319	8,829	4
PWVH30-342		42"	4,415	5,745	7,663	3
PWVH30-348		48"	4,637	6,034	8,139	3
PWVH30-354		54"	5,250	6,899	9,299	4
PWVH30-360	1200	60"	5,664	7,456	10,063	4
PWVH30-448		48"	5,082	6,519	8,583	3
PWVH30-454		54"	5,693	7,387	9,744	4
PWVH30-460		60"	6,107	7,942	10,504	4
PWVH30-466		66"	6,409	8,357	11,154	4

\*FOR OVERLAY MODELS, SPECIFY INTERIOR COLOR.

# PROFESSIONAL/STANDARD WALL MOUNT

REC. MOUNTING HEIGHT FROM COOKING SURFACE: 30"

900 CFM OPTIONAL TRANSITION TO 10" ROUND: VP562  
1200 CFM OPTIONAL TRANSITION TO 12" ROUND: VP563



## SLH30

Model No.	CFM	Width	Painted	Stainless	Overlay*	# Lts
SLH30-130	300	30"	3,001	4,053	5,695	2
SLH30-136		36"	3,160	4,275	6,108	2
SLH30-142		42"	3,501	4,678	6,747	3
SLH30-148		48"	3,724	4,965	7,224	3
SLH30-230	600	30"	3,445	4,538	6,139	2
SLH30-236		36"	3,604	4,761	6,552	2
SLH30-242		42"	3,944	5,164	7,191	3
SLH30-248		48"	4,167	5,452	7,668	3
SLH30-254	900	54"	4,777	6,319	8,829	4
SLH30-342		42"	4,415	5,745	7,663	3
SLH30-348		48"	4,637	6,034	8,139	3
SLH30-354		54"	5,250	6,899	9,299	4
SLH30-360	1200	60"	5,664	7,456	10,063	4
SLH30-448		48"	5,082	6,519	8,583	3
SLH30-454		54"	5,693	7,387	9,744	4
SLH30-460		60"	6,107	7,942	10,504	4
SLH30-466		66"	6,409	8,357	11,154	4

\*FOR OVERLAY MODELS, SPECIFY INTERIOR COLOR.

## WDCRND

Model No.	Width	Height	Painted	Stainless	Overlay	Ceiling
WDCRND-30	30"	12"	624	737	908	9'
WDCRND-30/24		24"	822	1,035	1,388	10'
WDCRND-30/36		36"	1,004	1,346	1,855	11'
WDCRND-36	36"	12"	666	792	1,004	9'
WDCRND-36/24		24"	892	1,162	1,572	10'
WDCRND-36/36		36"	1,133	1,529	2,138	11'
WDCRND-42	42"	12"	709	864	1,090	9'
WDCRND-42/24		24"	978	1,289	1,756	10'
WDCRND-42/36		36"	1,247	1,713	2,422	11'
WDCRND-48	48"	12"	737	921	1,189	9'
WDCRND-48/24		24"	1,048	1,402	1,955	10'
WDCRND-48/36		36"	1,360	1,884	2,703	11'
WDCRND-54	54"	12"	779	978	1,289	9'
WDCRND-60	60"	12"	822	1,035	1,388	9'
WDCRND-66	66"	12"	864	1,105	1,473	9'
CUSTOM	WIDTH X HEIGHT X		0.57	0.92	1.44	
	PLUS			473		
FINISHED TOP	WIDTH X DEPTH X		0.57	0.92	1.44	
	PLUS			276		
SLOPED TOP*	ADD			473		

CEILING BASED ON REC. MAXIMUM MOUNTING HEIGHT FOR 30" WALL MOUNT HOOD.  
\*SPECIFY FRONT TO BACK OR LEFT TO RIGHT DIMENSIONS.

## 30" TALL WALL MOUNT HOOD VARIATIONS

WIDTHS OVER 66"				CONCAVE, CONVEX, SLOPED END (NON-OVERLAY SL MODELS)	
FOR EACH 6" INCREMENT	PAINTED	STAINLESS	OVERLAY	TOP WIDTH REDUCED BY 6" EACH. PER END, ADD	473
PLUS	214	307	381	<b>CLIPPED CORNER (NON-NP/SL/XR MODELS)</b>	
		276		PER CORNER, ADD	473
<b>SPECIAL WIDTH (LESS THAN 66")</b>				<b>SPECIAL BLOWER LOCATION</b>	
USE NEXT LARGEST SIZE ON PRICE LIST,				LEFT TO RIGHT, SPECIFY COLLAR CENTERLINE	
PLUS				ADD	
				276	
<b>HEIGHT OVER 30"</b>				<b>SPECIAL DECK (9" MINIMUM, 12" STANDARD)</b>	
WIDTH X EXTRA HEIGHT X	PAINTED	STAINLESS	OVERLAY	ADD	276
PLUS	1.37	2.01	2.73	<b>STAINLESS STEEL INTERIOR ON OVERLAY HOOD</b>	
		473		SUBTRACT PAINTED HOOD PRICE FROM STAINLESS HOOD PRICE	
<b>SPECIAL HEIGHT (LESS THAN STANDARD HOOD HEIGHT)</b>				<b>ADDITIONAL BLOWERS &amp; LIGHTS</b>	
USE STANDARD HOOD PRICE,				SEE PAGE 48 FOR BLOWER OPTIONS	
PLUS				<b>REMOTE BLOWER OPTIONS</b>	
				SEE PAGE 49 FOR REMOTE BLOWER OPTIONS	
<b>DEPTH OVER 24" (EXCLUDING 27" WHERE APPLICABLE)</b>				<b>CUSTOM COLOR (SEE CUSTOM COLOR CHART)</b>	
WIDTH X EXTRA DEPTH X	PAINTED	STAINLESS	OVERLAY	ADD	863
PLUS	1.37	2.01	2.73	<b>TRIM OPTIONS</b>	
		473		SEE PAGES 54-55 FOR FINISH AND TRIM OPTIONS	
<b>SPECIAL DEPTH (LESS THAN 24")</b>				<b>WARMING LAMPS AND SHELVES</b>	
USE STANDARD HOOD PRICE,				SEE PAGES 51 FOR WARMING LAMP AND SHELF OPTIONS	
PLUS					
				473	
<b>SLOPE, LIP, OFFSET, OR TOP VARIATION</b>					
PER VARIATION, ADD				473	

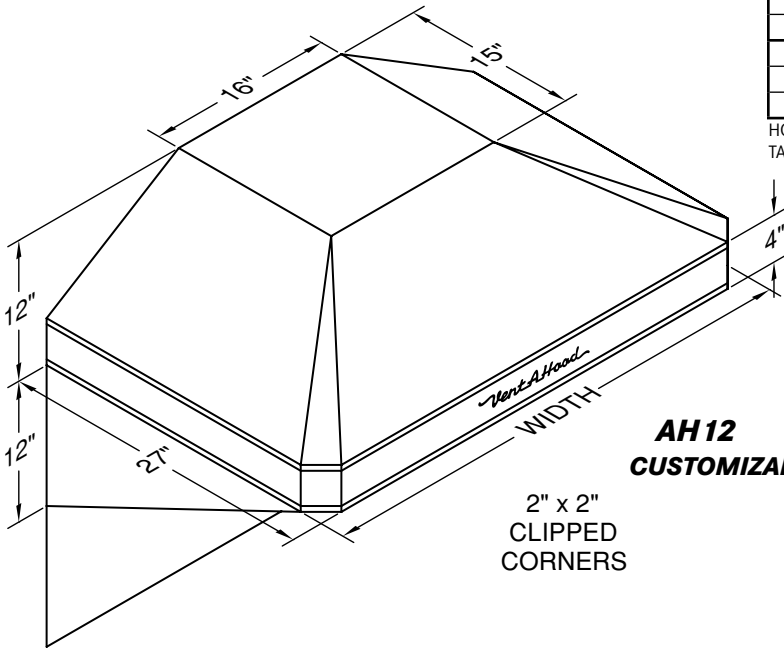
# PROFESSIONAL/STANDARD WALL MOUNT

REC. MOUNTING HEIGHT FROM COOKING SURFACE: 33"

## AH 12

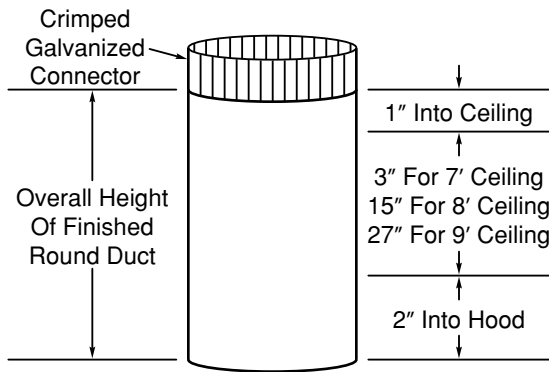
Model No.	CFM	Width	Painted	# Lts
AH12-130	300	30"	2,108	2
AH12-136		36"	2,139	2
AH12-142		42"	2,369	3
AH12-148		48"	2,463	3
AH12-236	600	36"	2,583	2
AH12-242		42"	2,813	3
AH12-248		48"	2,907	3

HOOD INCLUDES TWO SIDE WING PANELS AND SPLASH PANEL 30" TALL X WIDTH OF HOOD.



**AH 12  
CUSTOMIZABLE!**

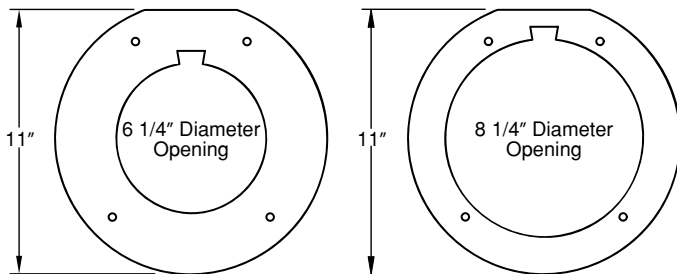
2" x 2"  
CLIPPED  
CORNERS



## FINISHED DUCTS FOR AH 12

Model No.	Width	Height	Painted	Ceiling
ARDC-6/6	6"	6"	88	7'
ARDC-6/18		18"	117	8'
ARDC-6/30		30"	144	9'
ARDC-8/6	8"	6"	88	7'
ARDC-8/18		18"	144	8'
ARDC-8/30		30"	175	9'
CUSTOM	WIDTH X HEIGHT X		0.57	
	PLUS		473	

NOTE: FINISHED ROUND DUCT EXTENDS 2" INTO TOP OF HOOD AND 1" INTO CEILING. CEILING BASED ON REC. MAXIMUM HOOD MOUNTING HEIGHT.



## FINISHED DUCT ACCESSORIES

MODEL NO.	WIDTH	PAINTED
ARC6	6"	27
ARC8	8"	27

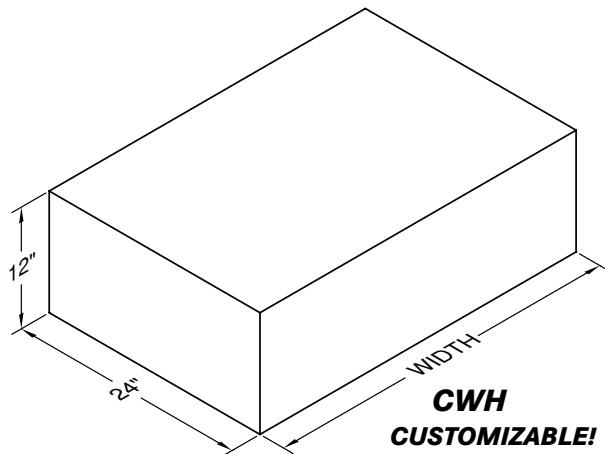
## AH 12 RETRO-STYLE WALL MOUNT HOOD VARIATIONS

<b>SPECIAL WIDTH (LESS THAN 48")</b> USE NEXT LARGEST SIZE ON PRICE LIST, PLUS	473	<b>CUSTOM COLOR (SEE CUSTOM COLOR CHART)</b> ADD	863
--	-----	---	-----

# PROFESSIONAL/STANDARD WALL MOUNT

REC. MOUNTING HEIGHT FROM  
COOKING SURFACE: 30"

900 CFM OPTIONAL TRANSITION TO 10" ROUND: VP562  
1200 CFM OPTIONAL TRANSITION TO 12" ROUND: VP563



<b>CWH</b>						
Model No.	CFM	Width	Painted	Stainless	Overlay•	# Lts
CWH-130	300	30"	1,974	2,729	3,727	2
CWH-136		36"	2,004	2,775	3,876	2
CWH-142		42"	2,253	3,008	4,262	3
CWH-148		48"	2,357	3,129	4,471	3
CWH-230	600	30"	2,417	3,216	4,170	2
CWH-236		36"	2,447	3,261	4,320	2
CWH-242		42"	2,696	3,494	4,706	3
CWH-248		48"	2,801	3,613	4,914	3
CWH-254	900	54"	3,335	4,343	5,689	4
CWH-342		42"	3,167	4,076	5,176	3
CWH-348		48"	3,271	4,195	5,386	3
CWH-354		54"	3,806	4,925	6,160	4
CWH-360	1200	60"	4,061	5,270	6,624	4
CWH-448		48"	3,715	4,681	5,829	3
CWH-454		54"	4,250	5,410	6,604	4
CWH-460		60"	4,504	5,756	7,068	4
CWH-466		66"	4,714	6,010	7,428	4

• FOR OVERLAY MODELS, SPECIFY INTERIOR COLOR.

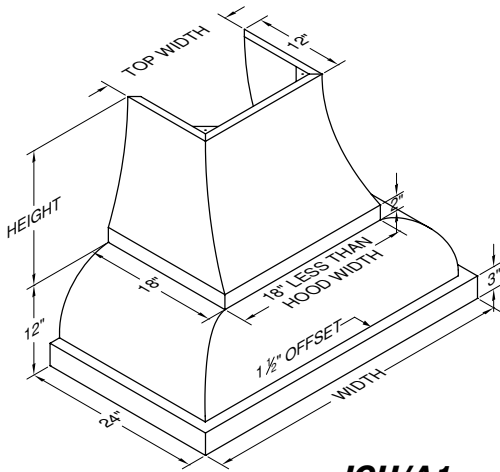
## CWH WALL MOUNT HOOD VARIATIONS

<b>WIDTHS OVER 66"</b>				<b>ROUNDED CORNER</b>
FOR EACH 6" INCREMENT	PAINTED 214	STAINLESS 307	OVERLAY 381	NO OFFSETS OR LIP, MINIMUM 4 INCH RADIUS PER CORNER, ADD 534
PLUS		276		
<b>SPECIAL WIDTH (LESS THAN 66")</b>				<b>SPECIAL BLOWER LOCATION</b>
USE NEXT LARGEST SIZE ON PRICE LIST,				LEFT TO RIGHT, SPECIFY COLLAR CENTERLINE
PLUS		276		ADD 276
<b>SPECIAL HEIGHT (BETWEEN 9" &amp; 12")</b>				<b>SPECIAL DECK (9" MINIMUM)</b>
USE STANDARD PRICE,				ADD 276
PLUS		473		<b>STAINLESS STEEL INTERIOR ON OVERLAY HOOD</b>
<b>HEIGHT OVER 12"</b>				SUBTRACT PAINTED HOOD PRICE FROM STAINLESS HOOD PRICE
WIDTH X EXTRA HEIGHT X	PAINTED 1.37	STAINLESS 2.01	OVERLAY 2.73	<b>ADDITIONAL BLOWERS &amp; LIGHTS</b>
PLUS		473		SEE PAGE 48 FOR BLOWER OPTIONS
<b>DEPTH LESS THAN 24"</b>				<b>REMOTE BLOWER OPTIONS</b>
ADD		473		SEE PAGE 49 FOR REMOTE BLOWER OPTIONS
<b>DEPTH OVER 24"</b>				<b>CUSTOM COLOR (SEE CUSTOM COLOR CHART)</b>
WIDTH X EXTRA DEPTH X	PAINTED 1.37	STAINLESS 2.01	OVERLAY 2.73	ADD 863
PLUS		473		<b>TRIM OPTIONS</b>
<b>LIP AND OFFSET</b>				SEE PAGES 54-55 FOR FINISH AND TRIM OPTIONS
1, 2 OR 3 SIDES, ADD		473		<b>WARMING LAMPS AND SHELVES</b>
				SEE PAGES 51 FOR WARMING LAMP AND SHELF OPTIONS

# DESIGNER SERIES WALL MOUNT

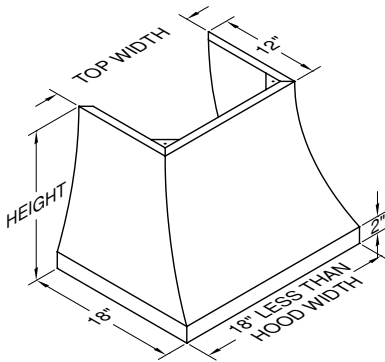
**REC. MOUNTING HEIGHT FROM COOKING SURFACE: 30"**

**900 CFM & 1200 CFM MODELS: TRANSITION INCLUDED IN HOOD**



**JCH/A1**

**SHOWN WITH MATCHING DUCT COVER (SOLD SEPARATELY)**



**JCH/A1**

Model No.	CFM	Width	Top W.	Painted	Stainless	Overlay*	# Lts
JCH136/A1	300	36"	18"	2,680	3,298	4,330	2
JCH142/A1		42"	24"	2,893	3,480	4,667	3
JCH148/A1		48"	30"	2,999	3,617	4,837	3
JCH236/A1	600	36"	18"	3,108	3,767	4,759	2
JCH242/A1		42"	24"	3,321	3,949	5,097	3
JCH248/A1		48"	30"	3,428	4,087	5,267	3
JCH348/A1	900*	48"	30"	3,885	4,650	5,723	3
JCH354/A1		54"	36"	4,602	5,544	6,764	4
JCH360/A1		60"	42"	4,772	5,775	7,118	4
JCH454/A1	1200+	54"	36"	5,030	6,013	7,193	4
JCH460/A1		60"	42"	5,200	6,247	7,548	4
JCH466/A1		66"	48"	5,405	6,518	7,921	4

• FOR OVERLAY HOODS, SPECIFY INTERIOR COLOR.  
 \*VP562 TRANSITION TO 10" ROUND INCLUDED.  
 +VP563 TRANSITION TO 12" ROUND INCLUDED.

**DUCT COVERS FOR JCH/A1**

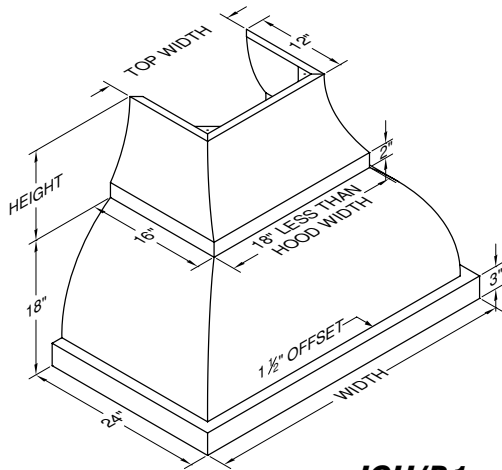
Model No.	Width	Top W.	Height	Painted	Stainless	Overlay*	Ceiling
CDC-18/12/18	18"	12"	18"	1,024	1,127	1,271	8'
CDC-18/12/30		12"	30"	1,487	1,661	1,921	9'
CDC-18/12/42		12"	42"	1,603	1,847	2,223	10'
CDC-24/12/18	24"	18"	18"	1,084	1,212	1,415	8'
CDC-24/12/30		12"	30"	1,588	1,820	2,167	9'
CDC-24/12/42		12"	42"	1,747	2,064	2,570	10'
CDC-30/12/18	30"	24"	18"	1,141	1,299	1,559	8'
CDC-30/12/30		12"	30"	1,690	1,977	2,410	9'
CDC-30/12/42		12"	42"	1,890	2,294	2,916	10'
CDC-36/12/18	36"	30"	18"	1,199	1,400	1,705	8'
CDC-36/12/30		18"	30"	1,791	2,136	2,657	9'
CDC-36/12/42		18"	42"	2,036	2,510	3,262	10'
CDC-42/12/18	42"	36"	18"	1,256	1,487	1,834	8'
CDC-42/12/30		24"	30"	1,890	2,294	2,916	9'
CDC-42/12/42		18"	42"	2,179	2,742	3,593	10'
CDC-48/12/18	48"	42"	18"	1,314	1,574	1,977	8'
CDC-48/12/30		30"	30"	1,992	2,454	3,160	9'
CDC-48/12/42		24"	42"	2,323	2,959	3,939	10'

• TRIM REQUIRED ON MODELS EXCEEDING 35" WIDTH AND 30" HEIGHT.  
 CEILING BASED ON REC. MAXIMUM HOOD MOUNTING HEIGHT.

# DESIGNER SERIES WALL MOUNT

REC. MOUNTING HEIGHT FROM COOKING SURFACE: 30"

900 CFM & 1200 CFM MODELS: TRANSITION INCLUDED IN HOOD



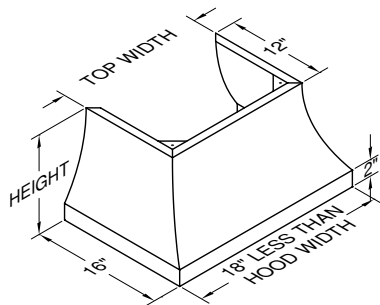
**JCH/B1**

**JCH/B1**

Model No.	CFM	Width	Top W.	Painted	Stainless	Overlay*	# Lts
JCH136/B1	300	36"	18"	2,680	3,298	4,330	2
JCH142/B1		42"	24"	2,893	3,480	4,667	3
JCH148/B1		48"	30"	2,999	3,617	4,837	3
JCH236/B1	600	36"	18"	3,108	3,767	4,759	2
JCH242/B1		42"	24"	3,321	3,949	5,097	3
JCH248/B1		48"	30"	3,428	4,087	5,267	3
JCH348/B1	900*	48"	30"	3,885	4,650	5,723	3
JCH354/B1		54"	36"	4,602	5,544	6,764	4
JCH360/B1		60"	42"	4,772	5,775	7,118	4
JCH454/B1	1200+	54"	36"	5,030	6,013	7,193	4
JCH460/B1		60"	42"	5,200	6,247	7,548	4
JCH466/B1		66"	48"	5,405	6,518	7,921	4

\*FOR OVERLAY HOODS, SPECIFY INTERIOR COLOR.  
 \*VP562 TRANSITION TO 10" ROUND INCLUDED.  
 +VP563 TRANSITION TO 12" ROUND INCLUDED.

SHOWN WITH MATCHING DUCT COVER (SOLD SEPARATELY)



**DUCT COVERS FOR JCH/B1**

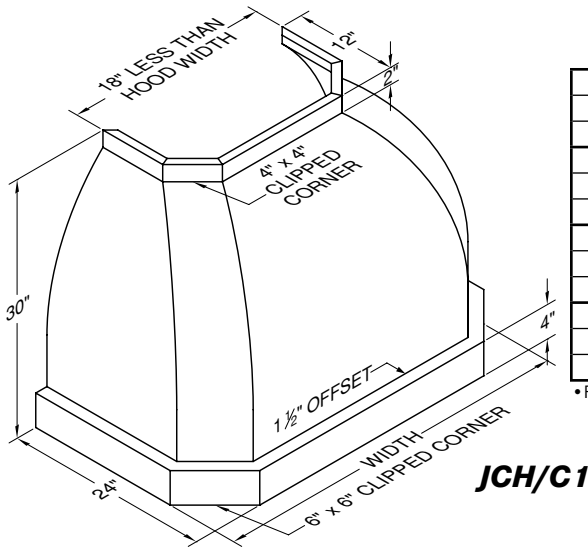
Model No.	Width	Top W.	Height	Painted	Stainless	Overlay*	Ceiling
CDC-18/12/12	18"	12"	12"	1,024	1,127	1,271	8'
CDC-18/12/24		12"	24"	1,487	1,661	1,921	9'
CDC-18/12/36		12"	36"	1,603	1,847	2,223	10'
CDC-24/12/12	24"	18"	12"	1,084	1,212	1,415	8'
CDC-24/12/24		12"	24"	1,588	1,820	2,167	9'
CDC-24/12/36		12"	36"	1,747	2,064	2,570	10'
CDC-30/12/12	30"	24"	12"	1,141	1,299	1,559	8'
CDC-30/12/24		12"	24"	1,690	1,977	2,410	9'
CDC-30/12/36		12"	36"	1,890	2,294	2,916	10'
CDC-36/12/12	36"	30"	12"	1,199	1,400	1,705	8'
CDC-36/12/24		18"	24"	1,791	2,136	2,657	9'
CDC-36/12/36		18"	36"	2,036	2,510	3,262	10'
CDC-42/12/12	42"	36"	12"	1,256	1,487	1,834	8'
CDC-42/12/24		24"	24"	1,890	2,294	2,916	9'
CDC-42/12/36		18"	36"	2,179	2,742	3,593	10'
CDC-48/12/12	48"	42"	12"	1,314	1,574	1,977	8'
CDC-48/12/24		30"	24"	1,992	2,454	3,160	9'
CDC-48/12/36		24"	36"	2,323	2,959	3,939	10'

\*TRIM REQUIRED ON MODELS EXCEEDING 35" WIDTH AND 30" HEIGHT.  
 CEILING BASED ON REC. MAXIMUM HOOD MOUNTING HEIGHT.

# DESIGNER SERIES WALL MOUNT

REC. MOUNTING HEIGHT FROM COOKING SURFACE: 30"

900 CFM OPTIONAL TRANSITION TO 10" ROUND: VP562  
1200 CFM OPTIONAL TRANSITION TO 12" ROUND: VP563

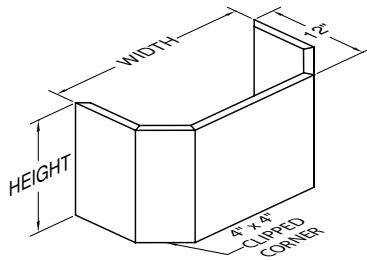


### JCH/C1

Model No.	CFM	Width	Painted	Stainless	Overlay*	# Lts
JCH136/C1	300	36"	3,804	4,828	6,486	2
JCH142/C1		42"	4,120	5,189	7,078	3
JCH148/C1		48"	4,323	5,454	7,512	3
JCH236/C1	600	36"	4,232	5,297	6,916	2
JCH242/C1		42"	4,551	5,658	7,507	3
JCH248/C1		48"	4,750	5,923	7,940	3
JCH348/C1	900	48"	5,206	6,488	8,396	3
JCH354/C1		54"	5,831	7,332	9,515	4
JCH360/C1		60"	6,113	7,750	10,115	4
JCH454/C1	1200	54"	6,262	7,801	9,943	4
JCH460/C1		60"	6,541	8,221	10,545	4
JCH466/C1		66"	6,806	8,591	11,132	4

\*FOR OVERLAY HOODS, SPECIFY INTERIOR COLOR.

### DUCT COVERS FOR JCH/C1



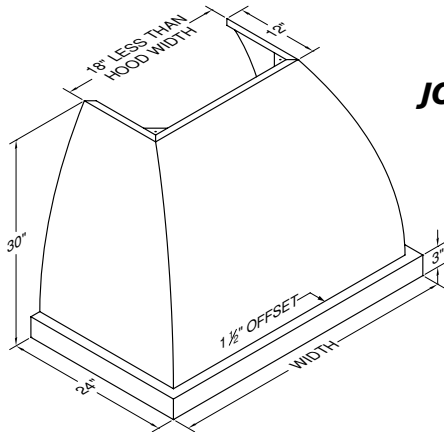
Model No.	Width	Height	Painted	Stainless	Overlay	Ceiling
WDCC4-18/12	18"	12"	981	1,055	1,155	9'
WDCC4-18/24		24"	1,097	1,242	1,443	10'
WDCC4-24/12	24"	12"	1,024	1,111	1,256	9'
WDCC4-24/24		24"	1,184	1,358	1,646	10'
WDCC4-30/12	30"	12"	1,055	1,171	1,358	9'
WDCC4-30/24		24"	1,256	1,487	1,847	10'
WDCC4-36/12	36"	12"	1,097	1,242	1,443	9'
WDCC4-36/24		24"	1,342	1,617	2,036	10'
WDCC4-42/12	42"	12"	1,141	1,299	1,544	9'
WDCC4-42/24		24"	1,430	1,747	2,238	10'
WDCC4-48/12	48"	12"	1,184	1,358	1,646	9'
WDCC4-48/24		24"	1,502	1,877	2,440	10'

CEILING BASED ON REC. MAXIMUM HOOD MOUNTING HEIGHT.

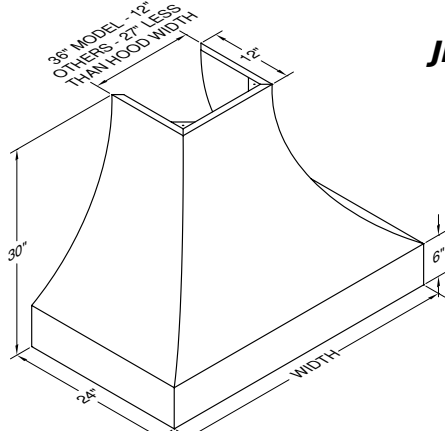
# DESIGNER SERIES WALL MOUNT

REC. MOUNTING HEIGHT FROM COOKING SURFACE: 30"

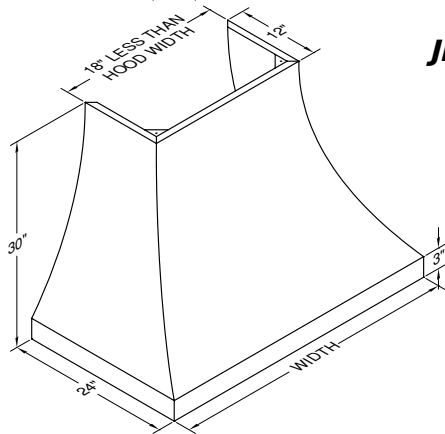
900 CFM JCH/C2 OPTIONAL TRANSITION TO 10" ROUND: VP562  
 1200 CFM JCH/C2 OPTIONAL TRANSITION TO 12" ROUND: VP563  
 900/1200 CFM JDH/C1 & JDH/C2 MODELS: TRANSITION INCLUDED



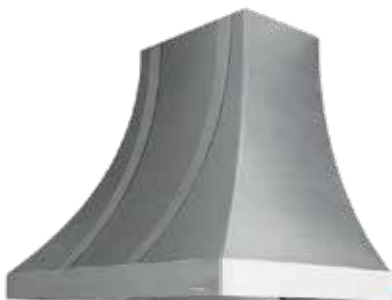
**JCH/C2**



**JDH/C1**



**JDH/C2**



**JCH/C2**

Model No.	CFM	Width	Painted	Stainless	Overlay*	# Lts
JCH136/C2	300	36"	3,653	4,699	6,365	2
JCH142/C2		42"	3,957	5,053	6,936	3
JCH148/C2		48"	4,158	5,300	7,370	3
JCH236/C2	600	36"	4,082	5,168	6,795	2
JCH242/C2		42"	4,388	5,522	7,367	3
JCH248/C2		48"	4,586	5,771	7,799	3
JCH348/C2	900	48"	5,044	6,334	8,255	3
JCH354/C2		54"	5,805	7,196	9,511	4
JCH360/C2		60"	6,084	7,753	10,130	4
JCH454/C2	1200	54"	6,235	7,666	9,941	4
JCH460/C2		60"	6,514	8,223	10,559	4
JCH466/C2		66"	6,840	8,663	11,195	4

\*FOR OVERLAY HOODS, SPECIFY INTERIOR COLOR.

**JDH/C1**

Model No.	CFM	Width	Painted	Stainless	Overlay*	# Lts
JDH136/C1	300	36"	3,653	4,699	6,365	2
JDH142/C1		42"	3,957	5,053	6,936	3
JDH148/C1		48"	4,158	5,300	7,370	3
JDH236/C1	600	36"	4,082	5,168	6,795	2
JDH242/C1		42"	4,388	5,522	7,367	3
JDH248/C1		48"	4,586	5,771	7,799	3
JDH348/C1	900*	48"	5,044	6,334	8,255	3
JDH354/C1		54"	5,805	7,196	9,511	4
JDH360/C1		60"	6,084	7,753	10,130	4
JDH454/C1	1200+	54"	6,235	7,666	9,941	4
JDH460/C1		60"	6,514	8,223	10,559	4
JDH466/C1		66"	6,840	8,663	11,195	4

\*FOR OVERLAY HOODS, SPECIFY INTERIOR COLOR.

\*VP562 TRANSITION TO 10" ROUND INCLUDED.

+VP563 TRANSITION TO 12" ROUND INCLUDED.

**JDH/C2**

Model No.	CFM	Width	Painted	Stainless	Overlay*	# Lts
JDH136/C2	300	36"	3,653	4,699	6,365	2
JDH142/C2		42"	3,957	5,053	6,936	3
JDH148/C2		48"	4,158	5,300	7,370	3
JDH236/C2	600	36"	4,082	5,168	6,795	2
JDH242/C2		42"	4,388	5,522	7,367	3
JDH248/C2		48"	4,586	5,771	7,799	3
JDH348/C2	900*	48"	5,044	6,334	8,255	3
JDH354/C2		54"	5,805	7,196	9,511	4
JDH360/C2		60"	6,084	7,753	10,130	4
JDH454/C2	1200+	54"	6,235	7,666	9,941	4
JDH460/C2		60"	6,514	8,223	10,559	4
JDH466/C2		66"	6,840	8,663	11,195	4

\*FOR OVERLAY HOODS, SPECIFY INTERIOR COLOR.

\*VP562 TRANSITION TO 10" ROUND INCLUDED.

+VP563 TRANSITION TO 12" ROUND INCLUDED.

**JDH/C2-SS-AS/MSS (AS SEEN)**

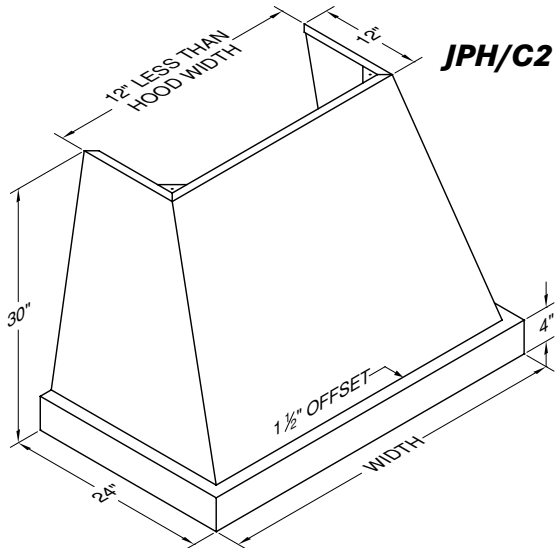
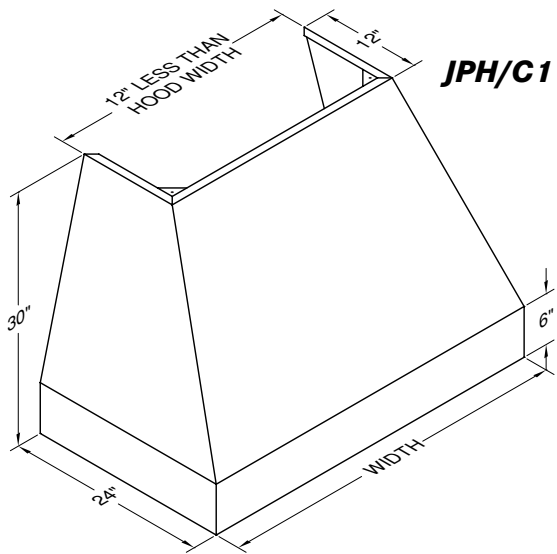
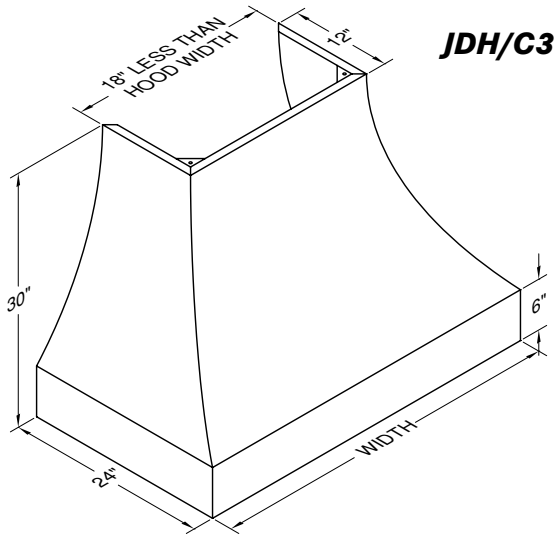
CFM	36"	42"	48"
600	6,312	6,714	7,011
900			7,574

PRICED AS SHOWN WITH MIRROR STAINLESS STEEL LIP FRONT & ENDS, 2X2" VBANDS MIRROR STAINLESS STEEL EVENLY SPACED, LAMINATED

# DESIGNER SERIES WALL MOUNT

REC. MOUNTING HEIGHT FROM COOKING SURFACE: 30"

900/1200 CFM JDH/C3: TRANSITION INCLUDED  
 900 CFM JPH/C1 & JPH/C2 OPTIONAL TRANSITION TO 10" ROUND: VP562  
 1200 CFM JPH/C1 & JPH/C2 OPTIONAL TRANSITION TO 12" ROUND: VP563



## JDH/C3

Model No.	CFM	Width	Painted	Stainless	Overlay*	# Lts
JDH136/C3	300	36"	3,653	4,699	6,365	2
JDH142/C3		42"	3,957	5,053	6,936	3
JDH148/C3		48"	4,158	5,300	7,370	3
JDH236/C3	600	36"	4,082	5,168	6,795	2
JDH242/C3		42"	4,388	5,522	7,367	3
JDH248/C3		48"	4,586	5,771	7,799	3
JDH348/C3	900*	48"	5,044	6,334	8,255	3
JDH354/C3		54"	5,805	7,196	9,511	4
JDH360/C3		60"	6,084	7,753	10,130	4
JDH454/C3	1200+	54"	6,235	7,666	9,941	4
JDH460/C3		60"	6,514	8,223	10,559	4
JDH466/C3		66"	6,840	8,663	11,195	4

\*FOR OVERLAY HOODS, SPECIFY INTERIOR COLOR.  
 \*VP562 TRANSITION TO 10" ROUND INCLUDED.  
 \*VP563 TRANSITION TO 12" ROUND INCLUDED.

## JPH/C1

Model No.	CFM	Width	Painted	Stainless	Overlay*	# Lts
JPH136/C1	300	36"	3,653	4,699	6,365	2
JPH142/C1		42"	3,957	5,053	6,936	3
JPH148/C1		48"	4,158	5,300	7,370	3
JPH236/C1	600	36"	4,082	5,168	6,795	2
JPH242/C1		42"	4,388	5,522	7,367	3
JPH248/C1		48"	4,586	5,771	7,799	3
JPH348/C1	900	48"	5,044	6,334	8,255	3
JPH354/C1		54"	5,805	7,196	9,511	4
JPH360/C1		60"	6,084	7,753	10,130	4
JPH454/C1	1200	54"	6,235	7,666	9,941	4
JPH460/C1		60"	6,514	8,223	10,559	4
JPH466/C1		66"	6,840	8,663	11,195	4

\*FOR OVERLAY HOODS, SPECIFY INTERIOR COLOR.

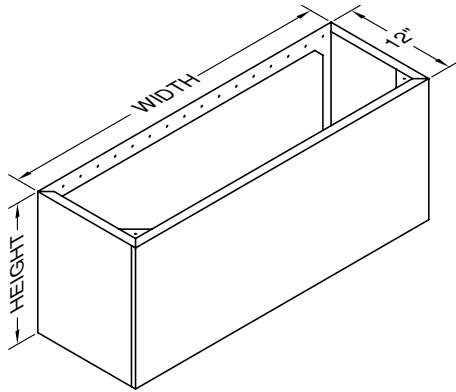
## JPH/C2

Model No.	CFM	Width	Painted	Stainless	Overlay*	# Lts
JPH136/C2	300	36"	3,653	4,699	6,365	2
JPH142/C2		42"	3,957	5,053	6,936	3
JPH148/C2		48"	4,158	5,300	7,370	3
JPH236/C2	600	36"	4,082	5,168	6,795	2
JPH242/C2		42"	4,388	5,522	7,367	3
JPH248/C2		48"	4,586	5,771	7,799	3
JPH348/C2	900	48"	5,044	6,334	8,255	3
JPH354/C2		54"	5,805	7,196	9,511	4
JPH360/C2		60"	6,084	7,753	10,130	4
JPH454/C2	1200	54"	6,235	7,666	9,941	4
JPH460/C2		60"	6,514	8,223	10,559	4
JPH466/C2		66"	6,840	8,663	11,195	4

\*FOR OVERLAY HOODS, SPECIFY INTERIOR COLOR.

# DESIGNER SERIES WALL MOUNT

REC. MOUNTING HEIGHT FROM COOKING SURFACE: 30"



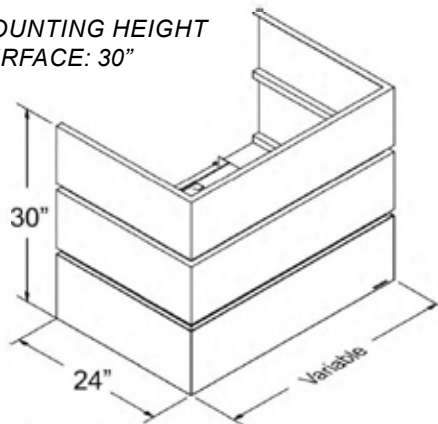
## WDCRND FOR DESIGNER SERIES HOODS

Model No.	Width	Height	Painted	Stainless	Overlay	Ceiling
WDCRND-12/12	12"	12"	511	553	624	9'
WDCRND-12/24		24"	583	680	809	10'
WDCRND-15/12	15"	12"	539	596	680	9'
WDCRND-15/24		24"	638	750	935	10'
WDCRND-18/12	18"	12"	566	638	737	9'
WDCRND-18/24		24"	680	822	1,021	10'
WDCRND-21/12	21"	12"	583	666	779	9'
WDCRND-21/24		24"	724	878	1,120	10'
WDCRND-24/12	24"	12"	609	696	836	9'
WDCRND-24/24		24"	766	950	1,217	10'
WDCRND-27/12	27"	12"	624	724	878	9'
WDCRND-27/24		24"	809	1,004	1,317	10'
WDCRND-30/12	30"	12"	624	737	908	9'
WDCRND-30/24		24"	822	1,035	1,388	10'
WDCRND-33/12	33"	12"	666	792	978	9'
WDCRND-33/24		24"	878	1,133	1,515	10'
WDCRND-36/12	36"	12"	666	792	1,004	9'
WDCRND-36/24		24"	892	1,162	1,572	10'
WDCRND-39/12	39"	12"	709	850	1,076	9'
WDCRND-39/24		24"	962	1,247	1,700	10'
WDCRND-42/12	42"	12"	709	864	1,090	9'
WDCRND-42/24		24"	978	1,289	1,756	10'
WDCRND-48/12	48"	12"	737	921	1,189	9'
WDCRND-48/24		24"	1,048	1,402	1,955	10'
WDCRND-54/12	54"	12"	779	978	1,289	9'
WDCRND-54/24		24"	1,162	1,559	2,181	10'
CUSTOM	WIDTH X HEIGHT X		0.57	0.92	1.44	
	PLUS					473
FINISHED TOP	WIDTH X DEPTH X		0.57	0.92	1.44	
	PLUS					276
SLOPED TOP•	ADD					473

CEILING BASED ON REC. MAXIMUM MOUNTING HEIGHT FOR 30" T DESIGNER WALL MOUNT HOOD.  
 • SPECIFY FRONT TO BACK OR LEFT TO RIGHT DIMENSIONS.

## JWH/A1

RECOMMENDED MOUNTING HEIGHT FROM COOKING SURFACE: 30"



Mirror stainless steel bands are included on painted and stainless steel models.

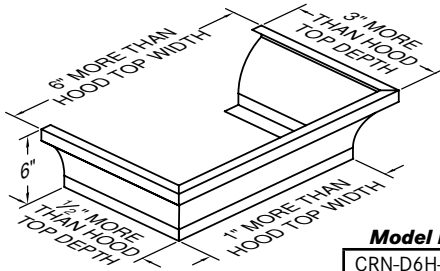
MODEL NO.	WIDTH	PAINTED	STAINLESS	#LTS
<b>WITH SINGLE BLOWER (300 CFM)</b>				
JWH/A 1-136	36	4275	4275	2
JWH/A 1-142	42	4678	4678	3
JWH/A 1-148	48	4965	4965	3
<b>WITH DUAL BLOWER (600 CFM)</b>				
JWH/A 1-236	36	4761	4761	2
JWH/A 1-242	42	5164	5164	3
JWH/A 1-248	48	5452	5452	3
<b>WITH DUAL &amp; SINGLE BLOWERS (900 CFM)*</b>				
JWH/A 1-348	48	6034	6034	3
JWH/A 1-354	54	6900	6900	4
JWH/A 1-360	60	7456	7456	4
<b>WITH TWO DUAL BLOWERS (1200 CFM)+</b>				
JWH/A 1-454	54	7387	7387	4
JWH/A 1-460	60	7942	7942	4
JWH/A 1-466	66	8357	8357	4

•TRIM OPTIONS: BANDS, NON-STANDARD COLOR 138



# WALL MOUNT CROWNS

CAN BE PLACED ON TOP OF A WALL MOUNT HOOD OR DUCT COVER

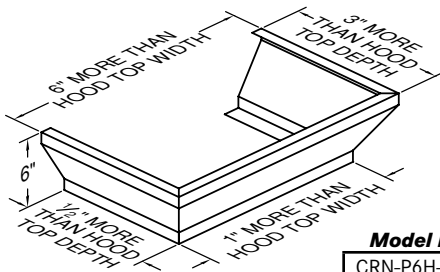


**CRN-D6H**

## CRN-D6H

Model No. •	Application	Width	Depth	Lip+	Painted	Stainless	Overlay
CRN-D6H-10/10	10" x 10" Top	16"	13"	1"	2,419	2,453	2,503
CRN-D6H-12/12	12" x 12" Top	18"	15"	1"	2,426	2,464	2,520
CRN-D6H-15/12	15" x 12" Top	21"	15"	1"	2,436	2,480	2,546
CRN-D6H-18/12	18" X 12" Top	24"	15"	1"	2,447	2,497	2,572
CRN-D6H-21/12	21" x 12" Top	27"	15"	1"	2,457	2,514	2,598
CRN-D6H-24/12	24" x 12" Top	30"	15"	1"	2,467	2,530	2,624
CRN-D6H-26/12	26" x 12" Top	32"	15"	1"	2,474	2,541	2,641
CRN-D6H-26/14	26" x 14" Top	32"	17"	1"	2,474	2,541	2,641
CRN-D6H-27/12	27" x 12" Top	33"	15"	1"	2,477	2,547	2,650
CRN-D6H-30/12	30" x 12" Top	36"	15"	1"	2,488	2,563	2,676
CRN-D6H-33/12	33" x 12" Top	39"	15"	1"	2,498	2,580	2,701
CRN-D6H-34/12	34" x 12" Top	40"	15"	1"	2,501	2,585	2,710
CRN-D6H-36/12	36" x 12" Top	42"	15"	1"	2,508	2,596	2,727
CRN-D6H-39/12	39" x 12" Top	45"	15"	1"	2,518	2,613	2,753
CRN-D6H-42/12	42" x 12" Top	48"	15"	1"	2,529	2,629	2,779
CRN-D6H-45/12	45" x 12" Top	51"	15"	1"	2,539	2,646	2,805
CRN-D6H-48/12	48" x 12" Top	54"	15"	1"	2,549	2,663	2,831
CRN-D6H-54/12	54" x 12" Top	60"	15"	1"	2,570	2,696	2,883
CRN-D6H-60/12	60" x 12" Top	66"	15"	1"	2,590	2,729	2,935
CRN-D6H-66/12	66" x 12" Top	72"	15"	1"	2,611	2,762	2,987

• HOOD VERSION MODEL LISTED. USE CRN-D6D MODEL NUMBER PREFIX FOR USE ON A DUCT COVER.  
+LIP HEIGHT APPLIES TO TOP LIP AND BOTTOM LIP.



**CRN-P6H**

## CRN-P6H

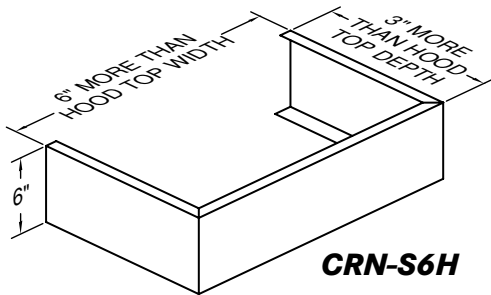
Model No. •	Application	Width	Depth	Lip+	Painted	Stainless	Overlay
CRN-P6H-10/10	10" x 10" Top	16"	13"	1"	2,419	2,453	2,503
CRN-P6H-12/12	12" x 12" Top	18"	15"	1"	2,426	2,464	2,520
CRN-P6H-15/12	15" x 12" Top	21"	15"	1"	2,436	2,480	2,546
CRN-P6H-18/12	18" X 12" Top	24"	15"	1"	2,447	2,497	2,572
CRN-P6H-21/12	21" x 12" Top	27"	15"	1"	2,457	2,514	2,598
CRN-P6H-24/12	24" x 12" Top	30"	15"	1"	2,467	2,530	2,624
CRN-P6H-26/12	26" x 12" Top	32"	15"	1"	2,474	2,541	2,641
CRN-P6H-26/14	26" x 14" Top	32"	17"	1"	2,474	2,541	2,641
CRN-P6H-27/12	27" x 12" Top	33"	15"	1"	2,477	2,547	2,650
CRN-P6H-30/12	30" x 12" Top	36"	15"	1"	2,488	2,563	2,676
CRN-P6H-33/12	33" x 12" Top	39"	15"	1"	2,498	2,580	2,701
CRN-P6H-34/12	34" x 12" Top	40"	15"	1"	2,501	2,585	2,710
CRN-P6H-36/12	36" x 12" Top	42"	15"	1"	2,508	2,596	2,727
CRN-P6H-39/12	39" x 12" Top	45"	15"	1"	2,518	2,613	2,753
CRN-P6H-42/12	42" x 12" Top	48"	15"	1"	2,529	2,629	2,779
CRN-P6H-45/12	45" x 12" Top	51"	15"	1"	2,539	2,646	2,805
CRN-P6H-48/12	48" x 12" Top	54"	15"	1"	2,549	2,663	2,831
CRN-P6H-54/12	54" x 12" Top	60"	15"	1"	2,570	2,696	2,883
CRN-P6H-60/12	60" x 12" Top	66"	15"	1"	2,590	2,729	2,935
CRN-P6H-66/12	66" x 12" Top	72"	15"	1"	2,611	2,762	2,987

• HOOD VERSION MODEL LISTED. USE CRN-P6D MODEL NUMBER PREFIX FOR USE ON A DUCT COVER.  
+LIP HEIGHT APPLIES TO TOP LIP AND BOTTOM LIP.

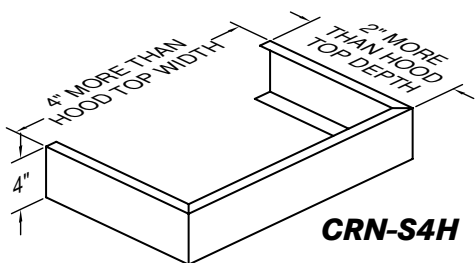
Vent-A-Head®

# WALL MOUNT CROWNS

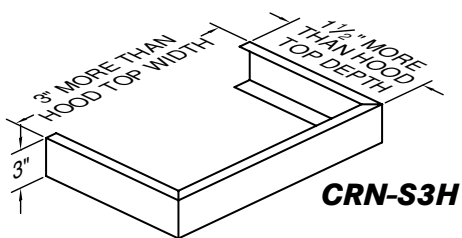
CAN BE PLACED ON TOP OF A WALL MOUNT HOOD OR DUCT COVER



**CRN-S6H**



**CRN-S4H**



**CRN-S3H**

## CRN-S6H

Model No. •	Application	Width	Depth	Painted	Stainless	Overlay
CRN-S6H-10/10	10" x 10" Top	16"	13"	1,000	1,034	1,084
CRN-S6H-12/12	12" x 12" Top	18"	15"	1,007	1,045	1,101
CRN-S6H-15/12	15" x 12" Top	21"	15"	1,017	1,061	1,127
CRN-S6H-18/12	18" x 12" Top	24"	15"	1,028	1,078	1,153
CRN-S6H-21/12	21" x 12" Top	27"	15"	1,038	1,095	1,179
CRN-S6H-24/12	24" x 12" Top	30"	15"	1,048	1,111	1,205
CRN-S6H-26/12	26" x 12" Top	32"	15"	1,055	1,122	1,222
CRN-S6H-26/14	26" x 14" Top	32"	17"	1,055	1,122	1,222
CRN-S6H-27/12	27" x 12" Top	33"	15"	1,058	1,128	1,231
CRN-S6H-30/12	30" x 12" Top	36"	15"	1,069	1,144	1,257
CRN-S6H-33/12	33" x 12" Top	39"	15"	1,079	1,161	1,282
CRN-S6H-34/12	34" x 12" Top	40"	15"	1,082	1,166	1,291
CRN-S6H-36/12	36" x 12" Top	42"	15"	1,089	1,177	1,308
CRN-S6H-39/12	39" x 12" Top	45"	15"	1,099	1,194	1,334
CRN-S6H-42/12	42" x 12" Top	48"	15"	1,110	1,210	1,360
CRN-S6H-45/12	45" x 12" Top	51"	15"	1,120	1,227	1,386
CRN-S6H-48/12	48" x 12" Top	54"	15"	1,130	1,244	1,412
CRN-S6H-54/12	54" x 12" Top	60"	15"	1,151	1,277	1,464
CRN-S6H-60/12	60" x 12" Top	66"	15"	1,171	1,310	1,516
CRN-S6H-66/12	66" x 12" Top	72"	15"	1,192	1,343	1,568

• HOOD VERSION MODEL LISTED. USE CRN-S6D MODEL NUMBER PREFIX FOR USE ON A DUCT COVER.

## CRN-S4H

Model No. •	Application	Width	Depth	Painted	Stainless	Overlay
CRN-S4H-10/10	10" x 10" Top	14"	12"	977	997	1,026
CRN-S4H-12/12	12" x 12" Top	16"	14"	982	1,004	1,038
CRN-S4H-15/12	15" x 12" Top	19"	14"	989	1,015	1,055
CRN-S4H-18/12	18" x 12" Top	22"	14"	996	1,026	1,072
CRN-S4H-21/12	21" x 12" Top	25"	14"	1,003	1,038	1,090
CRN-S4H-24/12	24" x 12" Top	28"	14"	1,009	1,049	1,107
CRN-S4H-26/12	26" x 12" Top	30"	14"	1,014	1,056	1,118
CRN-S4H-26/14	26" x 14" Top	30"	16"	1,014	1,056	1,118
CRN-S4H-27/12	27" x 12" Top	31"	14"	1,016	1,060	1,124
CRN-S4H-30/12	30" x 12" Top	34"	14"	1,023	1,071	1,141
CRN-S4H-33/12	33" x 12" Top	37"	14"	1,030	1,082	1,159
CRN-S4H-34/12	34" x 12" Top	38"	14"	1,032	1,085	1,164
CRN-S4H-36/12	36" x 12" Top	40"	14"	1,037	1,093	1,176
CRN-S4H-39/12	39" x 12" Top	43"	14"	1,044	1,104	1,193
CRN-S4H-42/12	42" x 12" Top	46"	14"	1,050	1,115	1,210
CRN-S4H-45/12	45" x 12" Top	49"	14"	1,057	1,126	1,228
CRN-S4H-48/12	48" x 12" Top	52"	14"	1,064	1,137	1,245
CRN-S4H-54/12	54" x 12" Top	58"	14"	1,078	1,159	1,280
CRN-S4H-60/12	60" x 12" Top	64"	14"	1,091	1,181	1,314
CRN-S4H-66/12	66" x 12" Top	70"	14"	1,105	1,203	1,349

• HOOD VERSION MODEL LISTED. USE CRN-S4D MODEL NUMBER PREFIX FOR USE ON A DUCT COVER.

## CRN-S3H

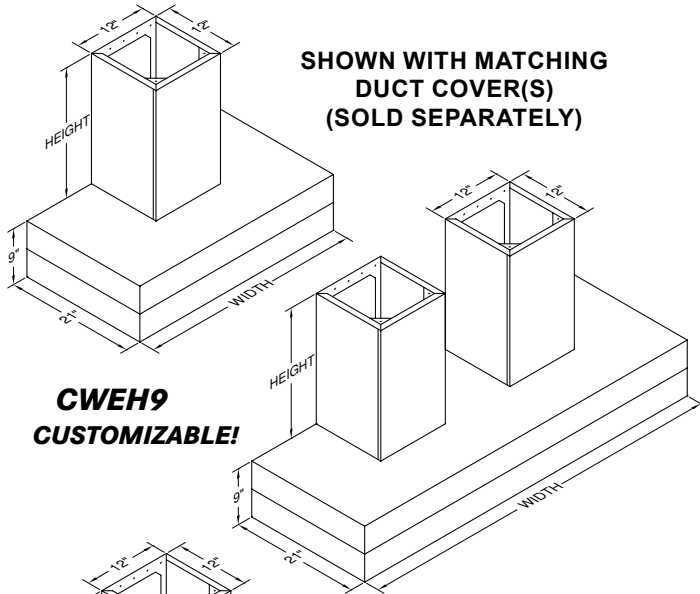
Model No. •	Application	Width	Depth	Painted	Stainless	Overlay
CRN-S3H-10/10	10" x 10" Top	13"	11 1/2"	968	981	1,002
CRN-S3H-12/12	12" x 12" Top	15"	13 1/2"	971	987	1,010
CRN-S3H-15/12	15" x 12" Top	18"	13 1/2"	976	995	1,023
CRN-S3H-18/12	18" x 12" Top	21"	13 1/2"	981	1,003	1,036
CRN-S3H-21/12	21" x 12" Top	24"	13 1/2"	987	1,012	1,049
CRN-S3H-24/12	24" x 12" Top	27"	13 1/2"	992	1,020	1,062
CRN-S3H-26/12	26" x 12" Top	29"	13 1/2"	995	1,026	1,071
CRN-S3H-26/14	26" x 14" Top	29"	15 1/2"	995	1,026	1,071
CRN-S3H-27/12	27" x 12" Top	30"	13 1/2"	997	1,028	1,075
CRN-S3H-30/12	30" x 12" Top	33"	13 1/2"	1,002	1,037	1,088
CRN-S3H-33/12	33" x 12" Top	36"	13 1/2"	1,007	1,045	1,101
CRN-S3H-34/12	34" x 12" Top	37"	13 1/2"	1,009	1,048	1,105
CRN-S3H-36/12	36" x 12" Top	39"	13 1/2"	1,012	1,053	1,114
CRN-S3H-39/12	39" x 12" Top	42"	13 1/2"	1,017	1,061	1,127
CRN-S3H-42/12	42" x 12" Top	45"	13 1/2"	1,022	1,070	1,140
CRN-S3H-45/12	45" x 12" Top	48"	13 1/2"	1,028	1,078	1,153
CRN-S3H-48/12	48" x 12" Top	51"	13 1/2"	1,033	1,086	1,166
CRN-S3H-54/12	54" x 12" Top	57"	13 1/2"	1,043	1,103	1,192
CRN-S3H-60/12	60" x 12" Top	63"	13 1/2"	1,053	1,119	1,218
CRN-S3H-66/12	66" x 12" Top	69"	13 1/2"	1,063	1,136	1,244

• HOOD VERSION MODEL LISTED. USE CRN-S3D MODEL NUMBER PREFIX FOR USE ON A DUCT COVER.

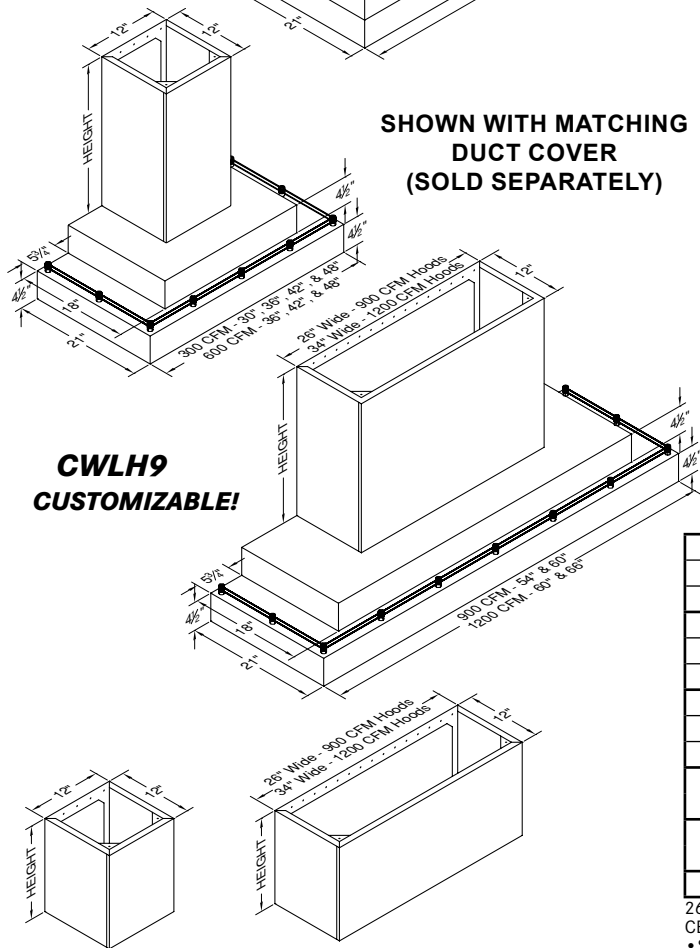
# CONTEMPORARY WALL MOUNT

REC. MOUNTING HEIGHT FROM COOKING SURFACE: 27"

900 CFM CWLH9 OPTIONAL TRANSITION TO 10" ROUND: VP562  
1200 CFM CWLH9 OPTIONAL TRANSITION TO 12" ROUND: VP563



<b>CWEH9</b>					
Model No.	CFM	Width	Painted	Stainless	# Lts
CWEH9-130	300	30"	1,940	2,699	2
CWEH9-136		36"	1,969	2,741	2
CWEH9-142		42"	2,214	2,973	3
CWEH9-148		48"	2,331	3,091	3
CWEH9-230	600	30"	2,367	3,166	2
CWEH9-236		36"	2,397	3,208	2
CWEH9-242		42"	2,642	3,440	3
CWEH9-248		48"	2,747	3,559	3
CWEH9-254	900	54"	3,271	4,283	4
CWEH9-342		42"	3,221	4,129	3
CWEH9-348		48"	3,602	4,234	3
CWEH9-354		54"	3,866	5,004	4
CWEH9-360	1200	60"	4,034	5,263	4
CWEH9-448		48"	4,030	4,704	3
CWEH9-454		54"	4,293	5,472	4
CWEH9-460		60"	4,460	5,733	4
CWEH9-466		66"	4,673	5,991	4



<b>CWLH9</b>					
Model No.	CFM	Width	Painted	Stainless	# Lts
CWLH9-130	300	30"	1,969	2,733	2
CWLH9-136		36"	1,984	2,748	2
CWLH9-142		42"	2,284	3,062	3
CWLH9-148		48"	2,391	3,186	3
CWLH9-236	600	36"	2,428	3,235	2
CWLH9-242		42"	2,728	3,548	3
CWLH9-248		48"	2,834	3,671	3
CWLH9-354	900	54"	4,004	5,179	4
CWLH9-360		60"	4,190	5,444	4
CWLH9-460	1200	60"	4,633	5,929	4
CWLH9-466		66"	4,756	6,100	4

### WDCRND FOR CWEH9/CWLH9

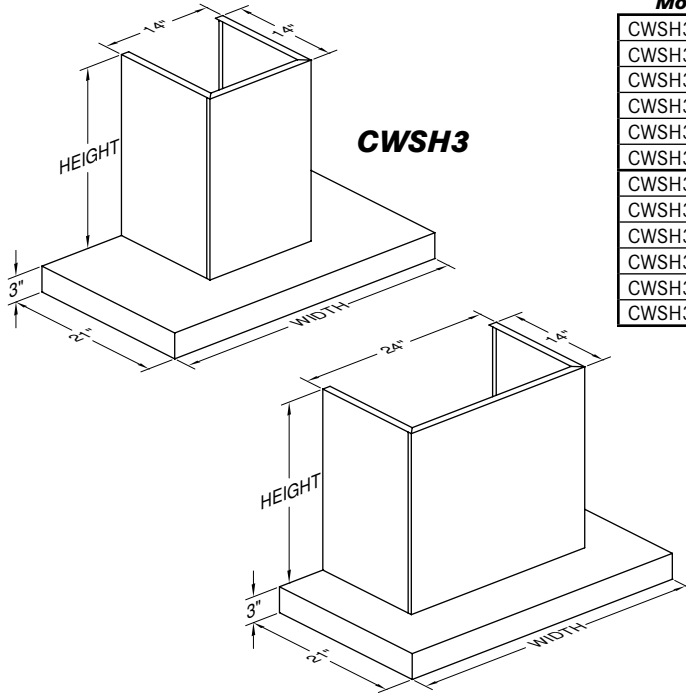
Model No.	Width	Height	Painted	Stainless	Ceiling
WDCRND-12/12	12"	12"	511	553	7'
WDCRND-12/24		24"	583	680	8'
WDCRND-12/36		36"	666	792	9'
WDCRND-26/12	26"	12"	657	749	7'
WDCRND-26/24		24"	825	1,037	8'
WDCRND-26/36		36"	1,008	1,312	9'
WDCRND-34/12	34"	12"	653	779	7'
WDCRND-34/24		24"	878	1,120	8'
WDCRND-34/36		36"	1,090	1,473	9'
CUSTOM	WIDTH X HEIGHT X PLUS		0.57	0.92	
FINISHED TOP	WIDTH X DEPTH X PLUS		0.57	0.92	276
SLOPED TOP*	ADD			473	

26" AND 34" DUCT COVERS FOR USE ON MATCHING CWLH9 MODELS. CEILING BASED ON REC. MAXIMUM HOOD MOUNTING HEIGHT.  
\* SPECIFY FRONT TO BACK OR LEFT TO RIGHT DIMENSIONS.

<b>CWEH9/CWLH9 VARIATIONS</b>				
<b>WIDTHS OVER 66"</b> FOR EACH 6" INCREMENT PLUS	PAINTED	214	STAINLESS	307
			276	
	<b>SPECIAL WIDTH (LESS THAN 66")</b> USE NEXT LARGEST SIZE ON PRICE LIST, PLUS			276
	<b>REMOVE GALLEY RAIL (CWLH9 ONLY)</b> TO REMOVE RAIL, NO CHARGE			

# CONTEMPORARY WALL MOUNT

REC. MOUNTING HEIGHT FROM  
COOKING SURFACE: 24"

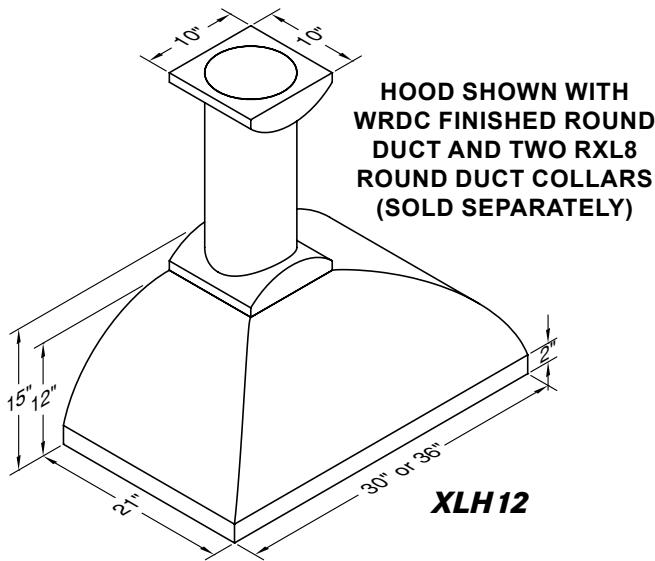


## CWSH3

Model No.	CFM	Width	Stainless	# Lts	Ceiling
CWSH3-1/030-21	300	30"	3,383	2	7'
CWSH3-1/030-33		30"	3,522	2	8'
CWSH3-1/036-21		36"	3,383	2	7'
CWSH3-1/036-33		36"	3,522	2	8'
CWSH3-1/042-21		42"	3,648	3	7'
CWSH3-1/042-33		42"	3,786	3	8'
CWSH3-2/030-21	600	30"	4,536	2	7'
CWSH3-2/030-33		30"	4,784	2	8'
CWSH3-2/036-21		36"	4,536	2	7'
CWSH3-2/036-33		36"	4,784	2	8'
CWSH3-2/042-21		42"	4,797	3	7'
CWSH3-2/042-33		42"	5,048	3	8'

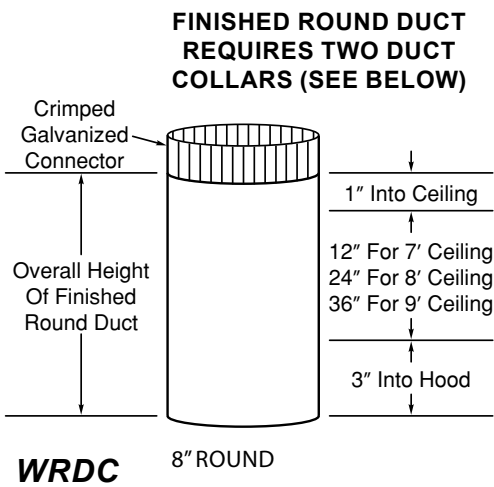
# CONTEMPORARY WALL MOUNT

REC. MOUNTING HEIGHT FROM  
COOKING SURFACE: 24"

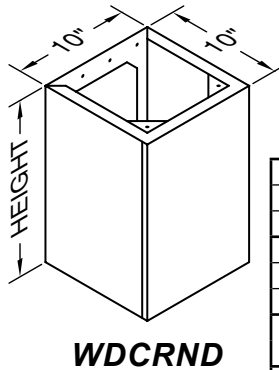


## XLH12

Model No.	CFM	Width	Stainless	# Lts
<b>BRASS LIP</b>				
XLH12-230B	600	30"	2,737	2
XLH12-236B		36"	2,770	2
<b>COPPER LIP</b>				
XLH12-230C	600	30"	2,737	2
XLH12-236C		36"	2,770	2
<b>MIRROR STAINLESS STEEL LIP</b>				
XLH12-230M	600	30"	2,737	2
XLH12-236M		36"	2,770	2
<b>STAINLESS STEEL LIP</b>				
XLH12-230S	600	30"	2,737	2
XLH12-236S		36"	2,770	2



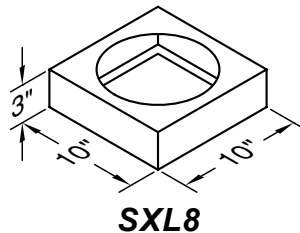
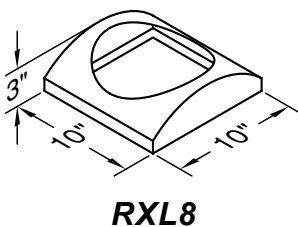
FINISHED ROUND DUCT  
REQUIRES TWO DUCT  
COLLARS (SEE BELOW)



## DUCT COVERS FOR XLH12

Model No.	Width	Height	Stainless	Ceiling
WDCRND-10/12	10"	12"	499	7'
WDCRND-10/24		24"	594	8'
WDCRND-10/36		36"	724	9'
WRDC-8/16	8"	16"	382	7'
WRDC-8/28		28"	473	8'
WRDC-8/40		40"	550	9'
CUSTOM	WIDTH X HEIGHT X		0.92	
	PLUS		473	
FINISHED TOP	WIDTH X DEPTH X		0.92	
	PLUS		276	
SLOPED TOP*	ADD		473	

WRDC EXTENDS 3" INTO TOP OF HOOD AND 1" INTO CEILING. CEILING BASED ON REC. MAXIMUM HOOD MOUNTING HEIGHT. \*SPECIFY FRONT TO BACK OR LEFT TO RIGHT DIMENSIONS.



## WRDC COLLARS

Model No.	Width	Height	Stainless
RXL8	10"	3"	274
SXL8	10"	3"	169

# CONTEMPORARY WALL MOUNT

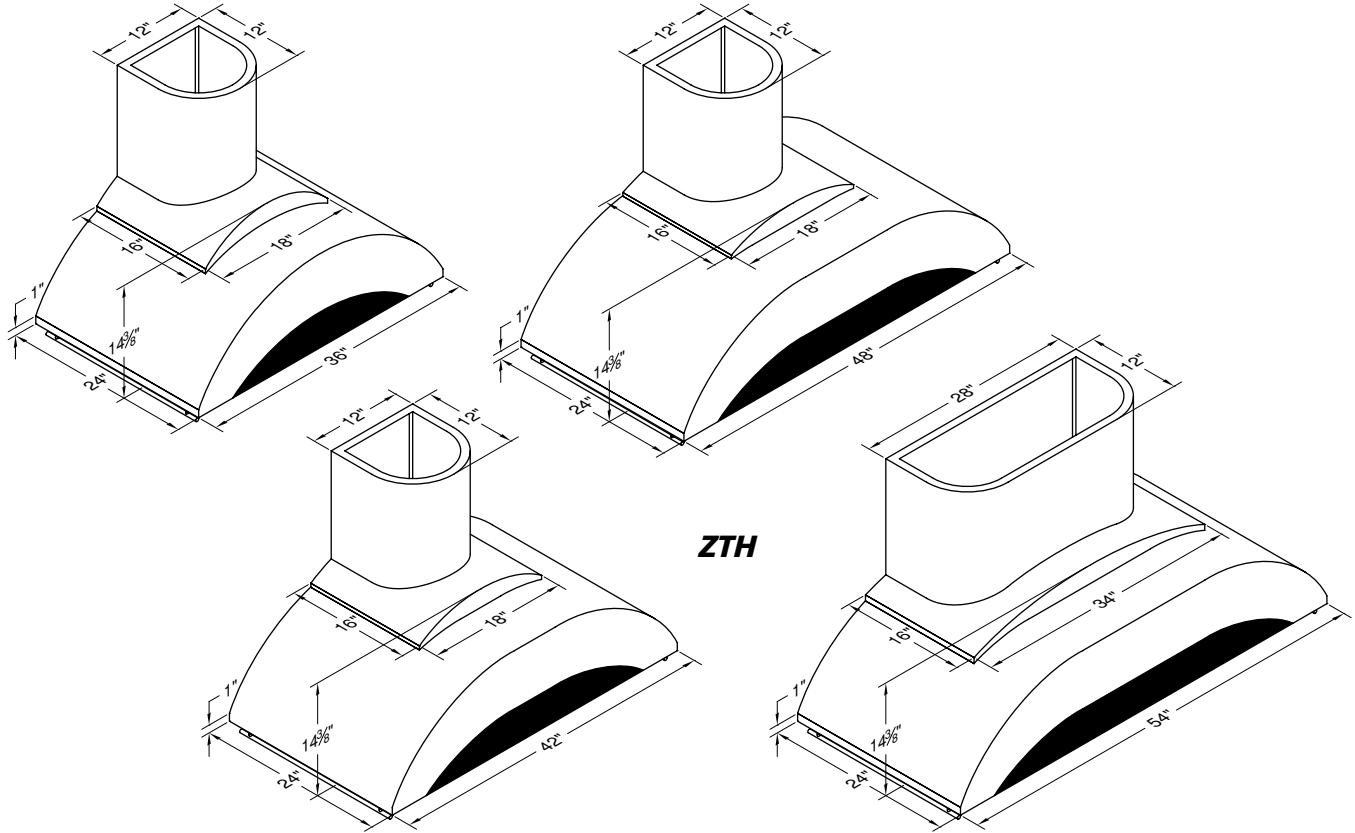
REC. MOUNTING HEIGHT FROM  
COOKING SURFACE: 30"

900 CFM OPTIONAL TRANSITION TO 10" ROUND: VP562

SHOWN WITH  
MATCHING DUCT COVER  
(SOLD SEPARATELY)

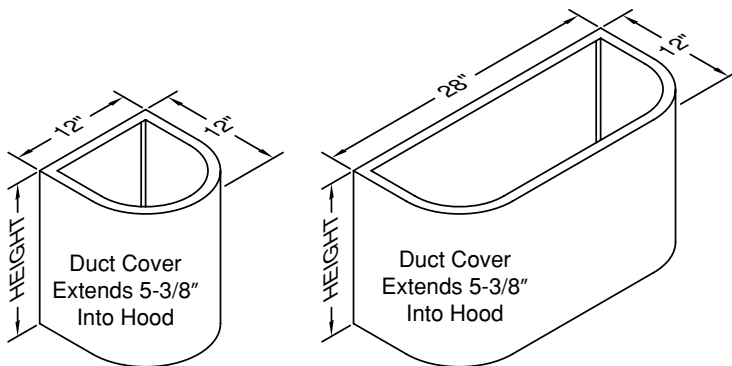
### ZTH

Model No.	CFM	Width	Stainless	# Lts
ZTH-236	600	36"	4,371	4
ZTH-242		42"	4,571	4
ZTH-248		48"	4,693	4
ZTH-354	900	54"	6,829	4



ZTH

ZTH VARIATIONS	
REMOVE FIXED LENGTH SS RAIL	
ADD	276



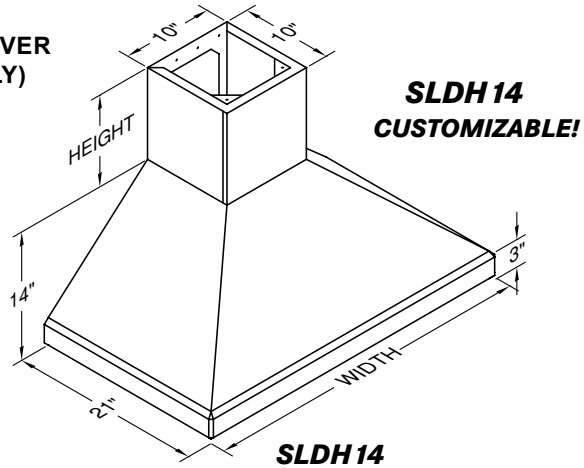
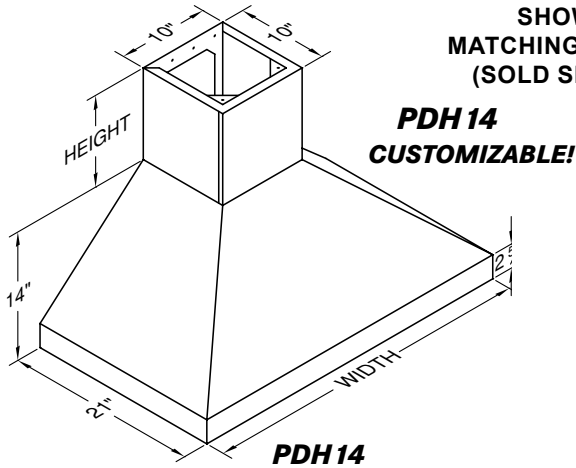
### DUCT COVERS FOR ZTH

Model No.	Width	Height	Stainless	Ceiling
WZDC-12/9	12"	9"	550	7'
WZDC-12/21		21"	672	8'
WZDC-12/33		33"	809	9'
WZDC-28/9	28"	9"	672	7'
WZDC-28/21		21"	978	8'
WZDC-28/33		33"	1,267	9'
CUSTOM	WIDTH X HEIGHT X		0.92	
	PLUS		473	

CEILING BASED ON REC. MAXIMUM HOOD MOUNTING HEIGHT.

# EURO-STYLE WALL MOUNT

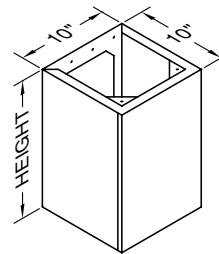
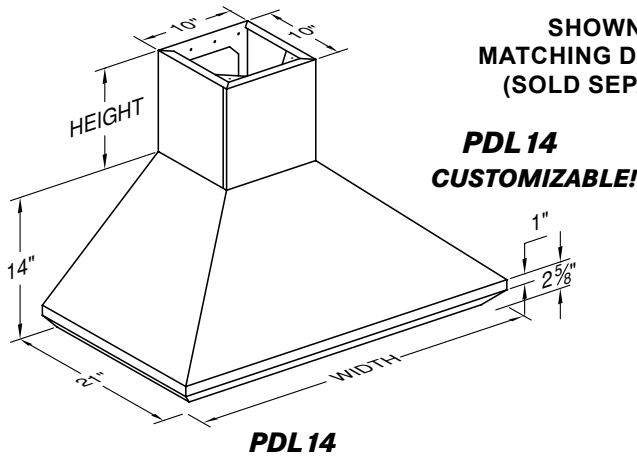
REC. MOUNTING HEIGHT FROM COOKING SURFACE: 24"



Model No.	CFM	Width	Painted	Stainless	Overlay	# Lts
PDH14-130	300	30"	1,830	2,533	3,748	2
PDH14-136		36"	1,871	2,576	3,908	2
PDH14-142		42"	2,081	2,786	4,290	3
PDH14-148	600	48"	2,167	2,886	4,506	3
PDH14-236		36"	2,297	3,042	4,333	2
PDH14-242		42"	2,507	3,251	4,715	3
PDH14-248		48"	2,592	3,353	4,932	3

Model No.	CFM	Width	Painted	Stainless	# Lts
SLDH14-130	300	30"	2,304	3,026	2
SLDH14-136		36"	2,349	3,070	2
SLDH14-142		42"	2,635	3,387	3
SLDH14-148	600	48"	2,739	3,507	3
SLDH14-236		36"	2,775	3,537	2
SLDH14-242		42"	3,061	3,856	3
SLDH14-248		48"	3,163	3,973	3

\* FOR OVERLAY MODELS, SPECIFY INTERIOR COLOR.



Model No.	CFM	Width	Painted	Stainless	Overlay	# Lts
PDL14-130	300	30"	1,830	2,533	3,748	2
PDL14-136		36"	1,871	2,576	3,908	2
PDL14-142		42"	2,081	2,786	4,290	3
PDL14-148	600	48"	2,167	2,886	4,506	3
PDL14-236		36"	2,297	3,042	4,333	2
PDL14-242		42"	2,507	3,251	4,715	3
PDL14-248		48"	2,592	3,353	4,932	3

\* FOR OVERLAY MODELS, SPECIFY INTERIOR COLOR.

## 14" TALL EURO-STYLE WALL MOUNT DUCT COVERS

Model No.	Width	Height	Painted	Stainless	Overlay	Ceiling
WDCRND-10/10	10"	10"	459	499	539	7'
WDCRND-10/16		16"	620			
WDCRND-10/22		22"	526	594	689	8'
WDCRND-10/34		34"	594	689	836	9'
CUSTOM	WIDTH X HEIGHT X	0.57	0.92	1.44		
	PLUS			473		
FINISHED TOP	WIDTH X DEPTH X	0.57	0.92	1.44		
	PLUS			276		
SLOPED TOP*	ADD			473		

CEILING BASED ON REC. MAXIMUM HOOD MOUNTING HEIGHT.

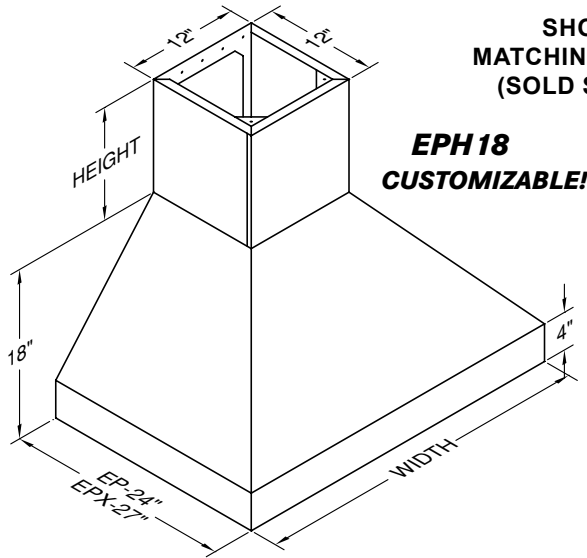
\* SPECIFY FRONT TO BACK OR LEFT TO RIGHT DIMENSIONS.

14" TALL WALL EURO-STYLE MOUNT HOOD VARIATIONS						
<b>SPECIAL WIDTH (LESS THAN 48")</b>			<b>STAINLESS STEEL INTERIOR ON OVERLAY HOOD</b>			
USE NEXT LARGEST SIZE ON PRICE LIST, PLUS			SUBTRACT PAINTED HOOD PRICE FROM STAINLESS HOOD PRICE			
DEPTH OVER 21"			<b>CUSTOM COLOR (SEE CUSTOM COLOR CHART)</b>			
WIDTH X EXTRA DEPTH X PLUS			PAINTED	STAINLESS	OVERLAY	863
			1.37	2.01	2.73	
			473			
			<b>TRIM OPTIONS</b>			
			SEE PAGES 54-55 FOR FINISH AND TRIM OPTIONS			

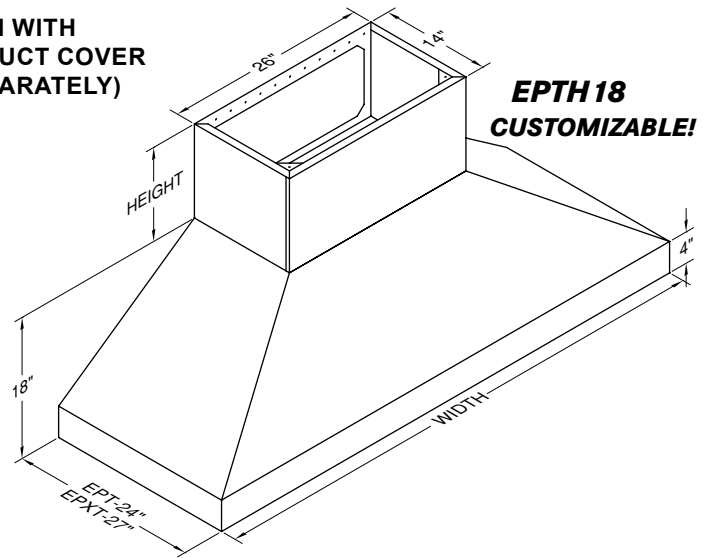
REC. MOUNTING HEIGHT FROM COOKING SURFACE: 30"

900 CFM EPTH18 & NEPTH18 MODELS: VP562 TRANSITION INCLUDED  
1200 CFM EPTH18 & NEPTH18 MODELS: VP563 TRANSITION INCLUDED

SHOWN WITH MATCHING DUCT COVER (SOLD SEPARATELY)



**EPH18  
CUSTOMIZABLE!**



**EPTH18  
CUSTOMIZABLE!**

**EPH18/EPXH18**

Model No.	CFM	Width	Painted	Stainless	Overlay	# Lts
EPH18-236	600	36"	2,819	3,565	4,959	2
EPH18-242		42"	3,014	3,770	5,297	3
EPH18-248		48"	3,208	3,990	5,718	3

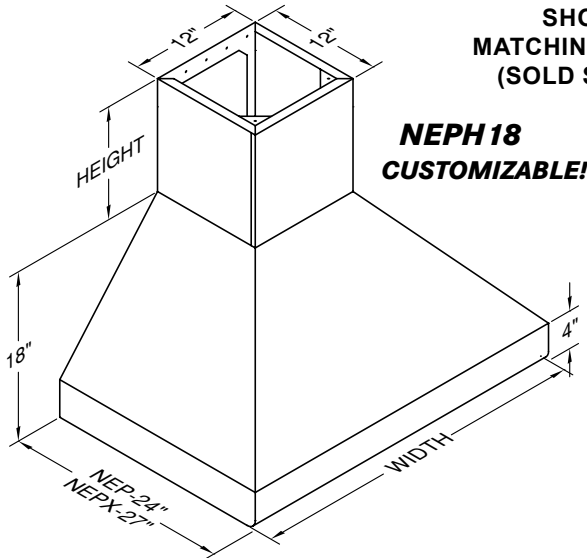
USE EPXH18 MODEL NUMBER PREFIX FOR 27" DEPTH PROJECTION.  
• FOR OVERLAY MODELS, SPECIFY INTERIOR COLOR.

**EPTH18/EPXTH18**

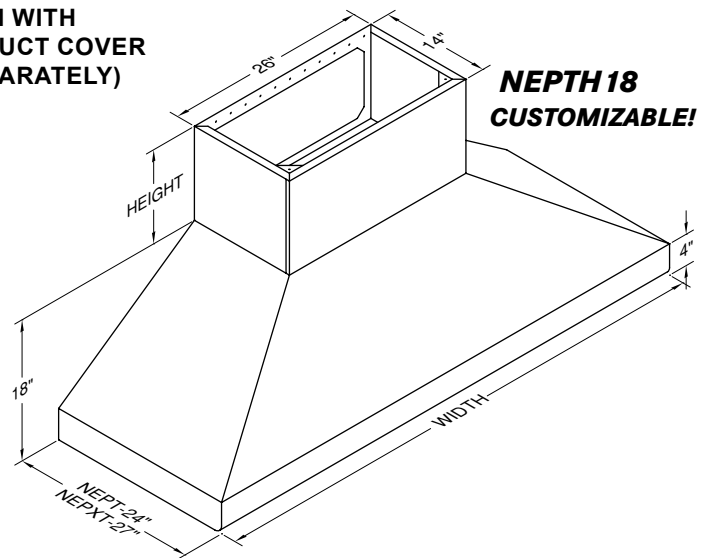
Model No.	CFM	Width	Painted	Stainless	Overlay	# Lts	Incl.
EPTH18-342	900	42"	4,339	5,184	6,745	3	VP562
EPTH18-348		48"	4,445	5,290	6,971	3	VP562
EPTH18-354		54"	4,873	6,067	7,672	4	VP562
EPTH18-360		60"	5,067	6,340	8,035	4	VP562
EPTH18-366		66"	5,246	6,625	8,398	4	VP562
EPTH18-454	1200	54"	5,297	6,532	8,098	4	VP563
EPTH18-460		60"	5,493	6,805	8,461	4	VP563
EPTH18-466		66"	5,673	7,092	8,823	4	VP563

USE EPXTH18 MODEL NUMBER PREFIX FOR 27" DEPTH PROJECTION.  
• FOR OVERLAY MODELS, SPECIFY INTERIOR COLOR.

SHOWN WITH MATCHING DUCT COVER (SOLD SEPARATELY)



**NEPH18  
CUSTOMIZABLE!**



**NEPTH18  
CUSTOMIZABLE!**

**NEPH18/NEPXH18**

Model No.	CFM	Width	Painted	Stainless	Overlay	# Lts
NEPH18-236	600	36"	3,360	4,073	5,005	2
NEPH18-242		42"	3,482	4,315	6,122	3
NEPH18-248		48"	3,692	4,488	6,201	3

USE NEPXH18 MODEL NUMBER PREFIX FOR 27" DEPTH PROJECTION.  
• FOR OVERLAY MODELS, SPECIFY INTERIOR COLOR.

**NEPTH18/NEPXTH18**

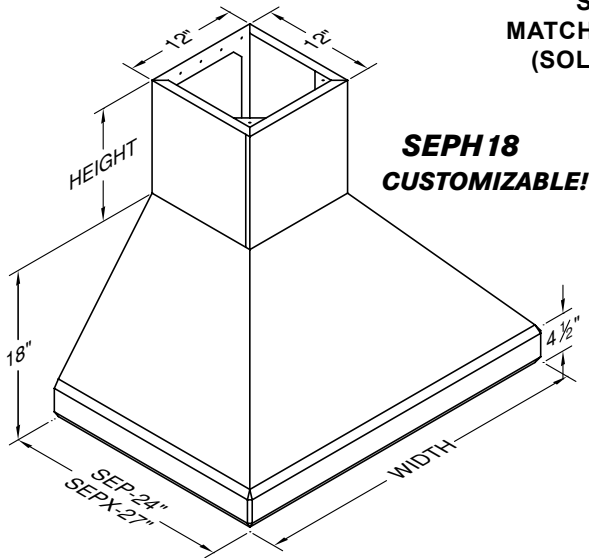
Model No.	CFM	Width	Painted	Stainless	Overlay	# Lts	Incl.
NEPTH18-342	900	42"	4,819	5,827	7,330	3	VP562
NEPTH18-348		48"	4,930	5,938	7,564	3	VP562
NEPTH18-354		54"	5,375	6,621	8,296	4	VP562
NEPTH18-360		60"	5,564	6,904	8,674	4	VP562
NEPTH18-366		66"	5,768	7,190	9,053	4	VP562
NEPTH18-454	1200	54"	5,819	7,107	8,739	4	VP563
NEPTH18-460		60"	6,007	7,391	9,117	4	VP563
NEPTH18-466		66"	6,210	7,675	9,495	4	VP563

USE NEPXTH18 MODEL NUMBER PREFIX FOR 27" DEPTH PROJECTION.  
• FOR OVERLAY MODELS, SPECIFY INTERIOR COLOR.

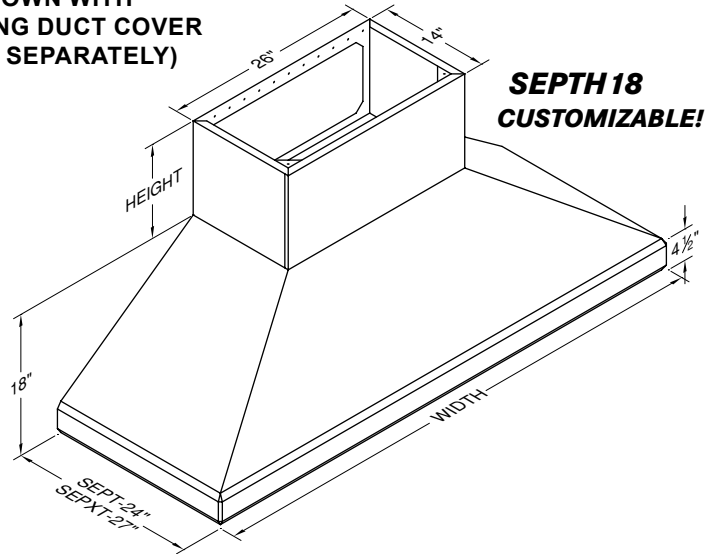
# EURO-STYLE WALL MOUNT

REC. MOUNTING HEIGHT FROM COOKING SURFACE: 30"

900 CFM SEPTH18 MODELS: VP562 TRANSITION INCLUDED  
1200 CFM SEPTH18 MODELS: VP563 TRANSITION INCLUDED



SHOWN WITH MATCHING DUCT COVER (SOLD SEPARATELY)



### SEPH 18/SEPHX 18

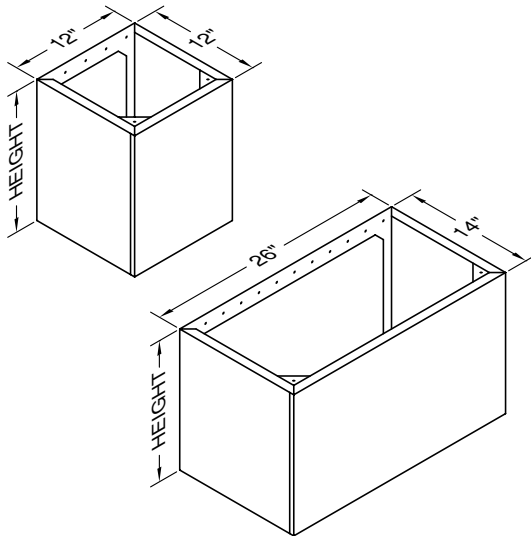
Model No.	CFM	Width	Painted	Stainless	# Lts
SEPH18-236	600	36"	3,354	3,989	2
SEPH18-242		42"	3,565	4,200	3
SEPH18-248		48"	3,669	4,301	3

USE SEPHX18 MODEL NUMBER PREFIX FOR 27" DEPTH PROJECTION.

### SEPTH 18/SEPTX 18

Model No.	CFM	Width	Painted	Stainless	# Lts	Incl.
SEPTH18-342	900	42"	4,878	6,110	3	VP562
SEPTH18-348		48"	5,291	6,232	3	VP562
SEPTH18-354		54"	5,693	6,879	4	VP562
SEPTH18-360		60"	5,891	7,153	4	VP562
SEPTH18-366		66"	6,075	7,445	4	VP562
SEPTH18-454	1200	54"	6,119	7,346	4	VP563
SEPTH18-460		60"	6,316	7,620	4	VP563
SEPTH18-466		66"	6,500	7,911	4	VP563

USE SEPTX18 MODEL NUMBER PREFIX FOR 27" DEPTH PROJECTION.



### 18" TALL EURO-STYLE WALL MOUNT DUCT COVERS

Model No.	Width	Height	Painted	Stainless	Overlay	Ceiling
WDCRND-12/12	12"	12"	511	553	624	8'
WDCRND-12/24		24"	583	680	809	9'
WDCRND-12/36		36"	666	792	1,004	10'
WDCRND-26/12	26"	12"	596	696	850	8'
WDCRND-26/24		24"	766	962	1,259	9'
WDCRND-26/36		36"	935	1,217	1,672	10'
CUSTOM	WIDTH X HEIGHT X	PLUS	0.57	0.92	1.44	
			473			
FINISHED TOP	WIDTH X DEPTH X	PLUS	0.57	0.92	1.44	
			276			
SLOPED TOP*	ADD		473			

CEILING BASED ON REC. MAXIMUM HOOD MOUNTING HEIGHT.

\*SPECIFY FRONT TO BACK OR LEFT TO RIGHT DIMENSIONS.

### 18" TALL WALL EURO-STYLE MOUNT HOOD VARIATIONS

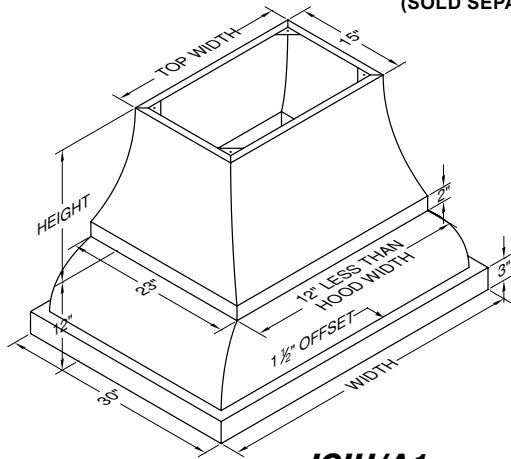
WIDTHS OVER 48"/66"				SPECIAL WIDTH (LESS THAN 48"/66")	
FOR EACH 6" INCREMENT PLUS	PAINTED 214	STAINLESS 307	OVERLAY 381	USE NEXT LARGEST SIZE ON PRICE LIST, PLUS	276
DEPTH OVER 24" (EXCLUDING 27")				STAINLESS STEEL INTERIOR ON OVERLAY HOOD	
WIDTH X EXTRA DEPTH X PLUS	PAINTED 1.37	STAINLESS 2.01	OVERLAY 2.73	SUBTRACT PAINTED HOOD PRICE FROM STAINLESS HOOD PRICE	
				CUSTOM COLOR (SEE CUSTOM COLOR CHART)	
				ADD	863
				TRIM OPTIONS	
				SEE PAGES 54-55 FOR FINISH AND TRIM OPTIONS	

# DESIGNER SERIES ISLAND

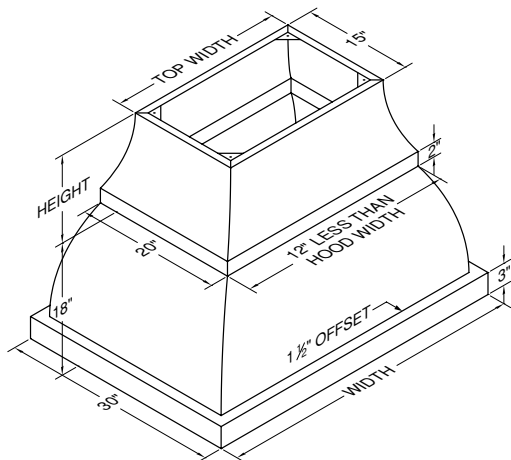
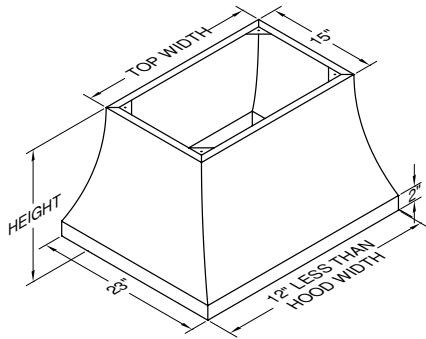
REC. MOUNTING HEIGHT FROM COOKING SURFACE: 30"

MODELS SHOWN WITH MATCHING DUCT COVER (SOLD SEPARATELY)

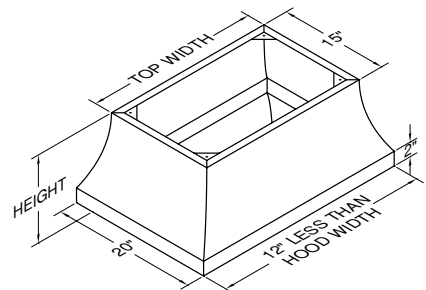
550 CFM MODELS: VP565 TRANSITION INCLUDED  
1100 CFM MODELS: VP564 TRANSITION INCLUDED



**JCIH/A1**



**JCIH/B1**



## JCIH/A1

Model No.	CFM	Width	Top W.	Painted	Stainless	Overlay*	# Lts
JCIH236/A1	550*	36"	24"	4,358	5,664	8,056	4
JCIH242/A1		42"	30"	4,505	5,938	8,362	4
JCIH248/A1		48"	36"	4,633	6,041	8,588	4
JCIH254/A1	1100+	54"	42"	5,025	6,546	9,328	4
JCIH448/A1		48"	36"	5,577	7,247	9,530	4
JCIH454/A1		54"	42"	5,967	7,754	10,270	4
JCIH460/A1		60"	48"	6,584	8,587	12,489	4
JCIH466/A1		66"	54"	6,797	8,864	12,908	4

\*FOR OVERLAY HOODS, SPECIFY INTERIOR COLOR.  
\*VP565 TRANSITION TO 8" ROUND INCLUDED.  
+VP564 TRANSITION TO 12" ROUND INCLUDED.

## DUCT COVERS FOR JCIH/A1

Model No.	Width	Top W.	Height	Painted	Stainless	Overlay*	Ceiling
ICDC-24/15/18	24"	18"	18"	1,921	2,021	2,294	8'
ICDC-24/15/30		15"	30"	2,124	2,294	2,756	9'
ICDC-24/15/42		15"	42"	2,323	2,570	3,219	10'
ICDC-30/15/18	30"	24"	18"	1,992	2,136	2,468	8'
ICDC-30/15/30		18"	30"	2,252	2,468	3,047	9'
ICDC-30/15/42		18"	42"	2,510	2,814	3,622	10'
ICDC-36/15/18	36"	30"	18"	2,079	2,238	2,640	8'
ICDC-36/15/30		24"	30"	2,381	2,640	3,334	9'
ICDC-36/15/42		18"	42"	2,684	3,059	4,011	10'
ICDC-42/15/18	42"	36"	18"	2,151	2,338	2,814	8'
ICDC-42/15/30		30"	30"	2,510	2,814	3,622	9'
ICDC-42/15/42		24"	42"	2,856	3,290	4,417	10'
ICDC-48/15/18	48"	42"	18"	2,223	2,440	2,988	8'
ICDC-48/15/30		36"	30"	2,627	2,988	3,896	9'
ICDC-48/15/42		30"	42"	3,047	3,537	4,819	10'
ICDC-54/15/18	54"	48"	18"	2,294	2,540	3,160	8'
ICDC-54/15/30		42"	30"	2,756	3,160	4,186	9'
ICDC-54/15/42		36"	42"	3,219	3,780	5,210	10'

\*TRIM REQUIRED ON MODELS EXCEEDING 35" WIDTH AND 30" HEIGHT.  
CEILING BASED ON REC. MAXIMUM HOOD MOUNTING HEIGHT.

## JCIH/B1

Model No.	CFM	Width	Top W.	Painted	Stainless	Overlay*	# Lts
JCIH236/B1	550*	36"	24"	4,358	5,664	8,056	4
JCIH242/B1		42"	30"	4,505	5,938	8,362	4
JCIH248/B1		48"	36"	4,633	6,041	8,588	4
JCIH254/B1	1100+	54"	42"	5,025	6,546	9,328	4
JCIH448/B1		48"	36"	5,577	7,247	9,530	4
JCIH454/B1		54"	42"	5,967	7,754	10,270	4
JCIH460/B1		60"	48"	6,584	8,587	12,489	4
JCIH466/B1		66"	54"	6,797	8,864	12,908	4

\*FOR OVERLAY HOODS, SPECIFY INTERIOR COLOR.  
\*VP565 TRANSITION TO 8" ROUND INCLUDED.  
+VP564 TRANSITION TO 12" ROUND INCLUDED.

## DUCT COVERS FOR JCIH/B1

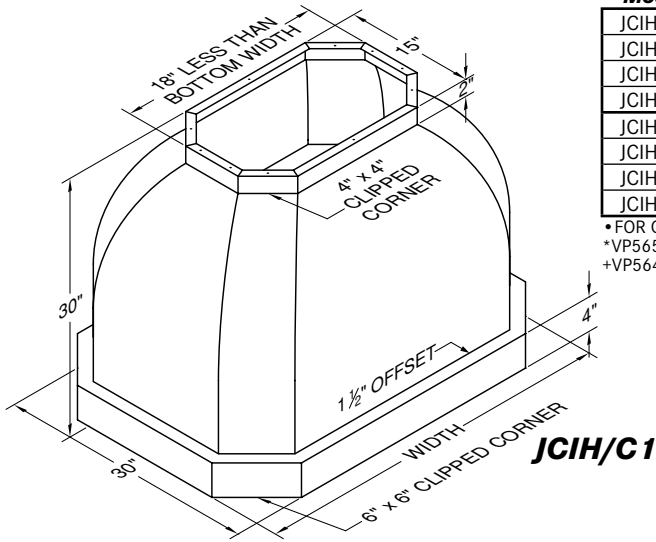
Model No.	Width	Top W.	Height	Painted	Stainless	Overlay*	Ceiling
ICDC-24/15/12	24"	18"	12"	1,921	2,021	2,294	8'
ICDC-24/15/24		18"	24"	2,124	2,294	2,756	9'
ICDC-24/15/36		15"	36"	2,323	2,570	3,219	10'
ICDC-30/15/12	30"	24"	12"	1,992	2,136	2,468	8'
ICDC-30/15/24		18"	24"	2,252	2,468	3,047	9'
ICDC-30/15/36		18"	36"	2,510	2,814	3,622	10'
ICDC-36/15/12	36"	30"	12"	2,079	2,238	2,640	8'
ICDC-36/15/24		24"	24"	2,381	2,640	3,334	9'
ICDC-36/15/36		18"	36"	2,684	3,059	4,011	10'
ICDC-42/15/12	42"	36"	12"	2,151	2,338	2,814	8'
ICDC-42/15/24		30"	24"	2,510	2,814	3,622	9'
ICDC-42/15/36		24"	36"	2,856	3,290	4,417	10'
ICDC-48/15/12	48"	42"	12"	2,223	2,440	2,988	8'
ICDC-48/15/24		36"	24"	2,627	2,988	3,896	9'
ICDC-48/15/36		30"	36"	3,047	3,537	4,819	10'
ICDC-54/15/12	54"	48"	12"	2,294	2,540	3,160	8'
ICDC-54/15/24		42"	24"	2,756	3,160	4,186	9'
ICDC-54/15/36		36"	36"	3,219	3,780	5,210	10'

\*TRIM REQUIRED ON MODELS EXCEEDING 35" WIDTH AND 30" HEIGHT.  
CEILING BASED ON REC. MAXIMUM HOOD MOUNTING HEIGHT.

# DESIGNER SERIES ISLAND

REC. MOUNTING HEIGHT FROM COOKING SURFACE: 30"

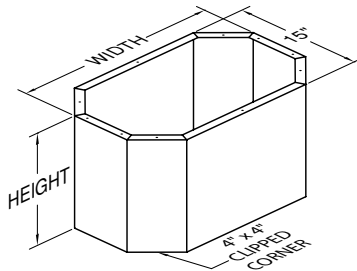
550 CFM MODELS: VP565 TRANSITION INCLUDED  
1100 CFM MODELS: VP564 TRANSITION INCLUDED



## JCIH/C1

Model No.	CFM	Width	Painted	Stainless	Overlay*	# Lts
JCIH236/C1	550*	36"	6,005	7,600	9,975	4
JCIH242/C1		42"	6,264	7,977	10,474	4
JCIH248/C1		48"	6,475	8,284	10,555	4
JCIH254/C1		54"	6,929	8,920	11,781	4
JCIH448/C1	1100+	48"	7,416	9,491	11,499	4
JCIH454/C1		54"	7,871	10,128	12,723	4
JCIH460/C1		60"	8,455	10,960	14,851	4
JCIH466/C1		66"	8,764	11,384	15,447	4

• FOR OVERLAY HOODS, SPECIFY INTERIOR COLOR.  
\*VP565 TRANSITION TO 8" ROUND INCLUDED.  
+VP564 TRANSITION TO 12" ROUND INCLUDED.



## DUCT COVERS FOR JCIH/C1

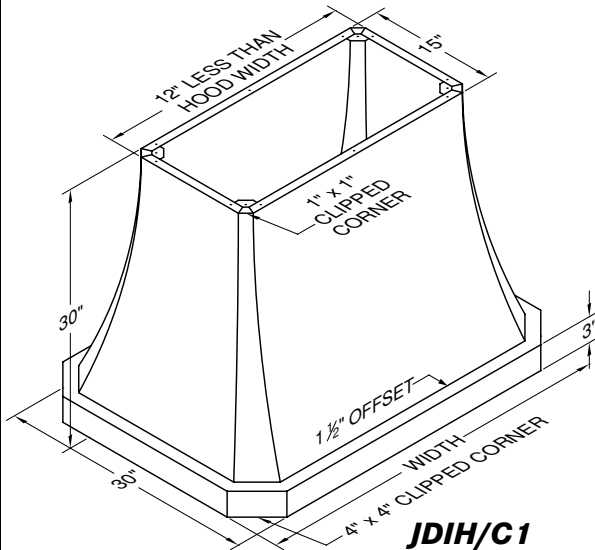
Model No.	Width	Height	Painted	Stainless	Overlay	Ceiling
IDCC4-18/12	18"	12"	1,443	1,502	1,630	9'
IDCC4-18/24		24"	1,603	1,705	1,977	10'
IDCC4-24/12	24"	12"	1,502	1,559	1,747	9'
IDCC4-24/24		24"	1,705	1,834	2,208	10'
IDCC4-30/12	30"	12"	1,544	1,630	1,862	9'
IDCC4-30/24		24"	1,804	1,977	2,440	10'
IDCC4-36/12	36"	12"	1,603	1,705	1,977	9'
IDCC4-36/24		24"	1,906	2,107	2,657	10'
IDCC4-42/12	42"	12"	1,646	1,776	2,092	9'
IDCC4-42/24		24"	2,007	2,252	2,887	10'
IDCC4-48/12	48"	12"	1,705	1,834	2,208	9'
IDCC4-48/24		24"	2,107	2,381	3,118	10'

CEILING BASED ON REC. MAXIMUM HOOD MOUNTING HEIGHT.

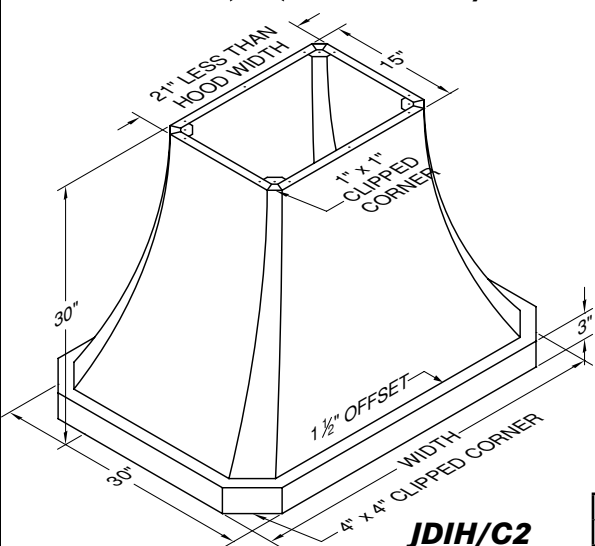
# DESIGNER SERIES ISLAND

REC. MOUNTING HEIGHT FROM COOKING SURFACE: 30"

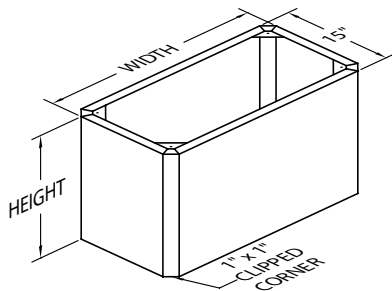
550 CFM MODELS: VP565 TRANSITION INCLUDED  
1100 CFM MODELS: VP564 TRANSITION INCLUDED



**JDIH/C1**



**JDIH/C2**



**JDIH/C1**

Model No.	CFM	Width	Painted	Stainless	Overlay*	# Lts
JDIH236/C1	550*	36"	6,005	7,600	9,975	4
JDIH242/C1		42"	6,264	7,977	10,474	4
JDIH248/C1		48"	6,475	8,284	10,555	4
JDIH254/C1		54"	6,929	8,920	11,781	4
JDIH448/C1	1100+	48"	7,416	9,491	11,499	4
JDIH454/C1		54"	7,871	10,128	12,723	4
JDIH460/C1		60"	8,455	10,960	14,851	4
JDIH466/C1		66"	8,764	11,384	15,447	4

\*FOR OVERLAY HOODS, SPECIFY INTERIOR COLOR.  
\*VP565 TRANSITION TO 8" ROUND INCLUDED.  
+VP564 TRANSITION TO 12" ROUND INCLUDED.

**JDIH/C2**

Model No.	CFM	Width	Painted	Stainless	Overlay*	# Lts
JDIH236/C2	550*	36"	6,005	7,600	9,975	4
JDIH242/C2		42"	6,264	7,977	10,474	4
JDIH248/C2		48"	6,475	8,284	10,555	4
JDIH254/C2		54"	6,929	8,920	11,781	4
JDIH448/C2	1100+	48"	7,416	9,491	11,499	4
JDIH454/C2		54"	7,871	10,128	12,723	4
JDIH460/C2		60"	8,455	10,960	14,851	4
JDIH466/C2		66"	8,764	11,384	15,447	4

\*FOR OVERLAY HOODS, SPECIFY INTERIOR COLOR.  
\*VP565 TRANSITION TO 8" ROUND INCLUDED.  
+VP564 TRANSITION TO 12" ROUND INCLUDED.

**DUCT COVERS FOR JDIH/C1 & JDIH/C2**

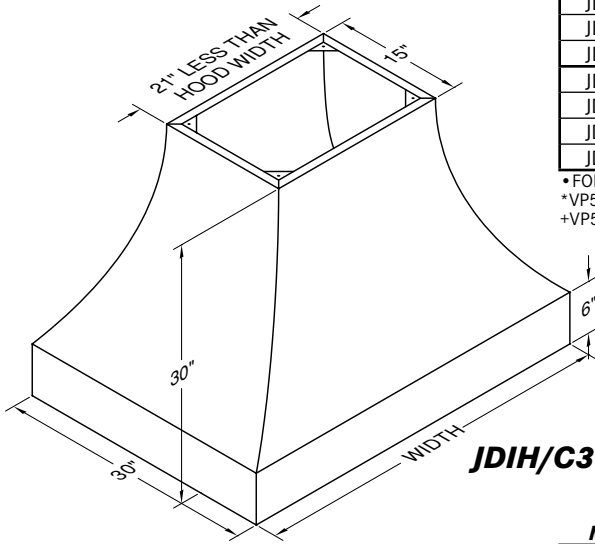
Model No.	Width	Height	Painted	Stainless	Overlay	Ceiling
IDCC1-15/12	15"	12"	1,415	1,458	1,574	9'
IDCC1-15/24		24"	1,544	1,630	1,862	10'
IDCC1-21/12	21"	12"	1,474	1,530	1,690	9'
IDCC1-21/24		24"	1,646	1,776	2,092	10'
IDCC1-24/12	24"	12"	1,502	1,559	1,747	9'
IDCC1-24/24		24"	1,705	1,834	2,208	10'
IDCC1-27/12	27"	12"	1,516	1,603	1,804	9'
IDCC1-27/24		24"	1,747	1,906	2,323	10'
IDCC1-30/12	30"	12"	1,544	1,630	1,862	9'
IDCC1-30/24		24"	1,804	1,977	2,440	10'
IDCC1-33/12	33"	12"	1,574	1,661	1,921	9'
IDCC1-33/24		24"	1,847	2,050	2,540	10'
IDCC1-36/12	36"	12"	1,603	1,705	1,977	9'
IDCC1-36/24		24"	1,906	2,107	2,657	10'
IDCC1-39/12	39"	12"	1,617	1,733	2,036	9'
IDCC1-39/24		24"	1,949	2,179	2,771	10'
IDCC1-42/12	42"	12"	1,646	1,776	2,092	9'
IDCC1-42/24		24"	2,007	2,252	2,887	10'
IDCC1-45/12	45"	12"	1,673	1,804	2,151	9'
IDCC1-45/24		24"	2,050	2,323	3,003	10'
IDCC1-48/12	48"	12"	1,705	1,834	2,208	9'
IDCC1-48/24		24"	2,107	2,381	3,118	10'
IDCC1-54/12	54"	12"	1,747	1,906	2,323	9'
IDCC1-54/24		24"	2,208	2,526	3,349	10'

\*TRIM REQUIRED ON MODELS EXCEEDING 35" WIDTH AND 30" HEIGHT.  
CEILING BASED ON REC. MAXIMUM HOOD MOUNTING HEIGHT.

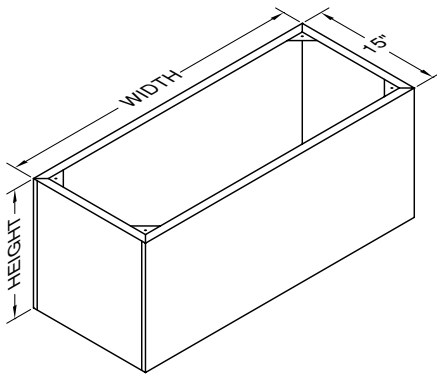
# DESIGNER SERIES ISLAND

REC. MOUNTING HEIGHT FROM  
COOKING SURFACE: 30"

550 CFM MODELS: VP565 TRANSITION INCLUDED  
1100 CFM MODELS: VP564 TRANSITION INCLUDED



**JDIH/C3**



### JDIH/C3

Model No.	CFM	Width	Painted	Stainless	Overlay*	# Lts
JDIH236/C3	550*	36"	6,005	7,600	9,975	4
JDIH242/C3		42"	6,264	7,977	10,474	4
JDIH248/C3		48"	6,475	8,284	10,555	4
JDIH254/C3		54"	6,929	8,920	11,781	4
JDIH448/C3	1100+	48"	7,416	9,491	11,499	4
JDIH454/C3		54"	7,871	10,128	12,723	4
JDIH460/C3		60"	8,455	10,960	14,851	4
JDIH466/C3		66"	8,764	11,384	15,447	4

\*FOR OVERLAY HOODS, SPECIFY INTERIOR COLOR.  
\*VP565 TRANSITION TO 8" ROUND INCLUDED.  
+VP564 TRANSITION TO 12" ROUND INCLUDED.

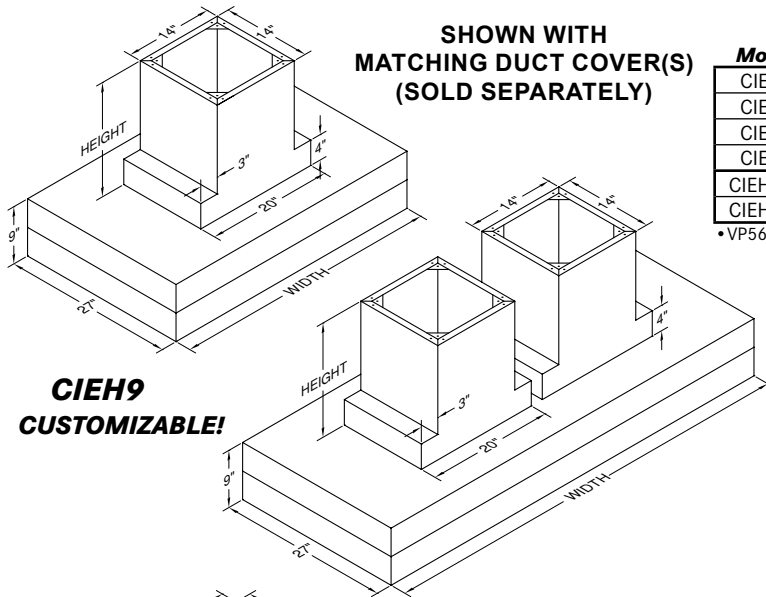
### IDCRND FOR JDIH/C3

Model No.	Width	Height	Painted	Stainless	Overlay	Ceiling
IDCRND-15/12	15"	12"	563	607	723	8'
IDCRND-15/24		24"	693	781	1,011	9'
IDCRND-21/12	21"	12"	626	689	847	9'
IDCRND-21/24		24"	805	930	1,248	10'
IDCRND-27/12	27"	12"	676	758	963	9'
IDCRND-27/24		24"	907	1,068	1,477	10'
IDCRND-33/12	33"	12"	727	828	1,078	9'
IDCRND-33/24		24"	1,008	1,207	1,706	10'
IDCRND-39/12	39"	12"	780	895	1,189	9'
IDCRND-39/24		24"	1,110	1,344	1,932	10'
IDCRND-45/12	45"	12"	830	965	1,305	9'
IDCRND-45/24		24"	1,212	1,482	2,160	10'
CUSTOM	WIDTH X HEIGHT X		0.76	1.02	1.69	
	PLUS			473		
SLOPED TOP*	ADD			473		

CEILING BASED ON REC. MAXIMUM HOOD MOUNTING HEIGHT.  
\*SPECIFY FRONT TO BACK OR LEFT TO RIGHT DIMENSIONS.

REC. MOUNTING HEIGHT FROM  
COOKING SURFACE: 30"

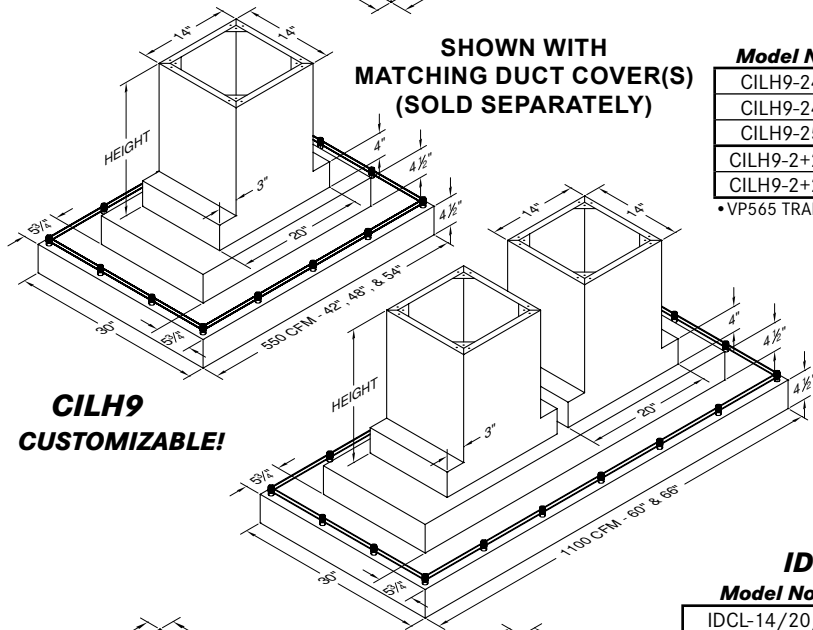
550 CFM MODELS: VP565 TRANSITION INCLUDED  
1100 CFM MODELS: TWO VP565 TRANSITIONS INCLUDED



### CIEH9

Model No.	CFM •	Width	Painted	Stainless	# Lts
CIEH9-236	550	36"	3,994	5,064	4
CIEH9-242		42"	4,024	5,249	4
CIEH9-248		48"	4,241	5,543	4
CIEH9-254		54"	4,593	5,994	4
CIEH9-2+260	1100	60"	6,150	7,996	6
CIEH9-2+266		66"	6,338	8,263	6

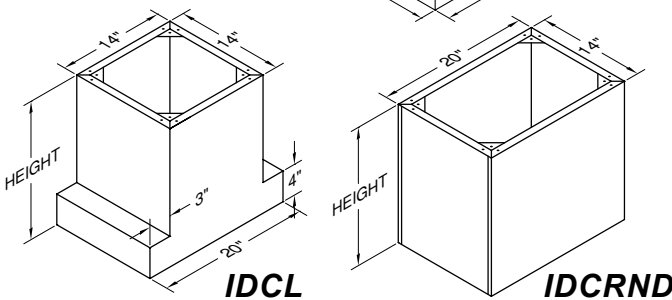
•VP565 TRANSITION TO 8" ROUND INCLUDED WITH EACH DUAL BLOWER.



### CILH9

Model No.	CFM •	Width	Painted	Stainless	# Lts
CILH9-242	550	42"	4,024	5,249	4
CILH9-248		48"	4,241	5,543	4
CILH9-254		54"	4,593	6,007	4
CILH9-2+260	1100	60"	6,291	7,996	6
CILH9-2+266		66"	6,338	8,263	6

•VP565 TRANSITION TO 8" ROUND INCLUDED WITH EACH DUAL BLOWER.



### IDCL/IDCRND FOR CIEH9/CILH9

Model No.	Width	Height	Painted	Stainless	Ceiling
IDCL-14/20/9	20"	9"	563	607	7'
IDCL-14/20/21		21"	738	837	8'
IDCL-14/20/33		33"	910	1,055	9'
IDCRND-14/20/9	20"	9"	563	607	7'
IDCRND-14/20/21		21"	738	837	8'
IDCRND-14/20/33		33"	910	1,055	9'
IDCRND-14/20/45		45"	1,068	1,168	10'
CUSTOM	WIDTH X HEIGHT X	0.76	1.02		
	PLUS			473	
SLOPED TOP •	ADD			473	

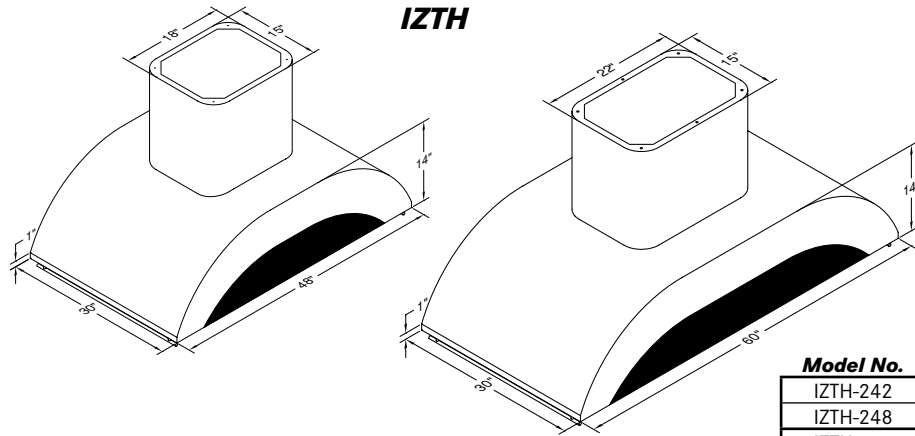
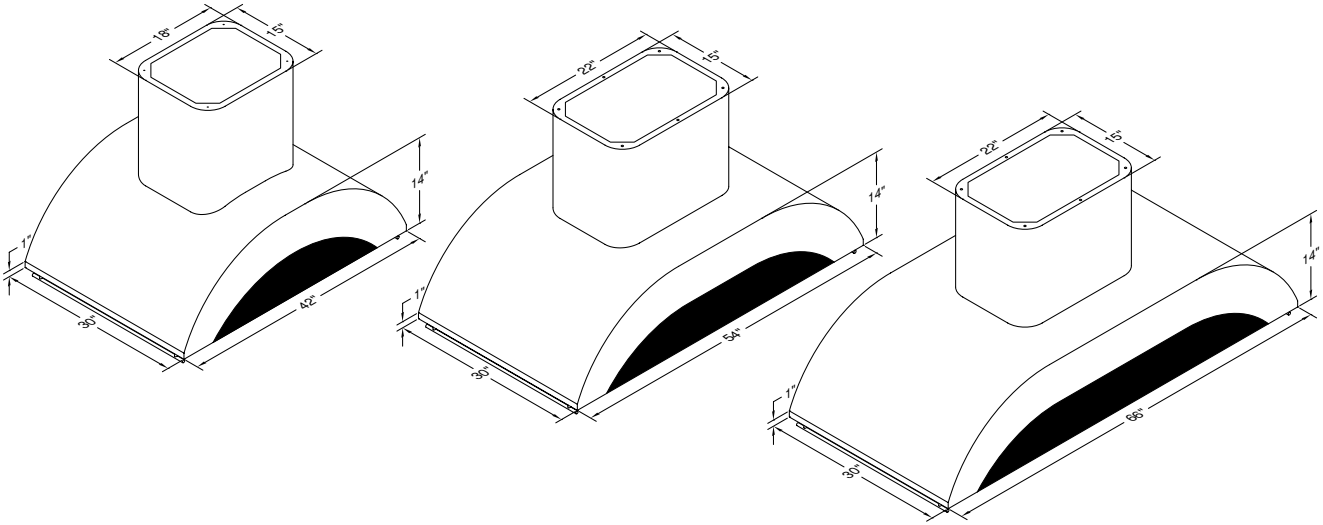
CEILING BASED ON REC. MAXIMUM HOOD MOUNTING HEIGHT.  
• SPECIFY FRONT TO BACK OR LEFT TO RIGHT DIMENSIONS.

CIEH9/CILH9 VARIATIONS					
WIDTHS OVER 66" FOR EACH 6" INCREMENT PLUS	PAINTED	STAINLESS	SPECIAL WIDTH (LESS THAN 66") USE NEXT LARGEST SIZE ON PRICE LIST, PLUS	276	REMOVE GALLEY RAIL (CILH9 ONLY) TO REMOVE RAIL, NO CHARGE
	244	320			

# CONTEMPORARY ISLAND

REC. MOUNTING HEIGHT FROM COOKING SURFACE: 30"

550 CFM MODELS: VP565 TRANSITION INCLUDED  
1100 CFM MODELS: VP564 TRANSITION INCLUDED



**IZTH**

SHOWN WITH MATCHING DUCT COVER (SOLD SEPARATELY)

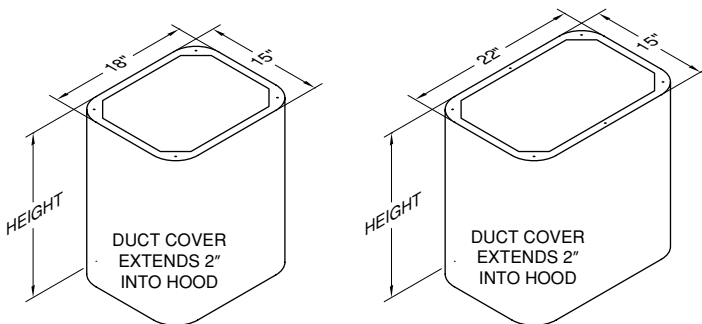
**IZTH**

Model No.	CFM	Width	Stainless	# Lts
IZTH-242	550*	42"	6,334	4
IZTH-248		48"	6,472	4
IZTH-454	1100+	54"	8,405	4
IZTH-460		60"	9,050	4
IZTH-466		66"	9,362	4

\*VP565 TRANSITION TO 8" ROUND INCLUDED.  
+VP564 TRANSITION TO 12" ROUND INCLUDED.

**IZTH VARIATIONS**

REMOVE FIXED LENGTH SS RAIL  
ADD 473



**DUCT COVERS FOR IZTH**

Model No.	Width	Height	Stainless	Ceiling
IZDC-18/6	18"	6"	550	7'
IZDC-18/18		18"	750	8'
IZDC-18/30		30"	954	9'
IZDC-22/6	22"	6"	563	7'
IZDC-22/18		18"	808	8'
IZDC-22/30		30"	1,055	9'
CUSTOM	WIDTH X HEIGHT X		1.02	
	PLUS		473	

CEILING BASED ON REC. MAXIMUM HOOD MOUNTING HEIGHT.

NOTE: DUCT COVER WILL HAVE A VISIBLE SEAM ON ONE SIDE.

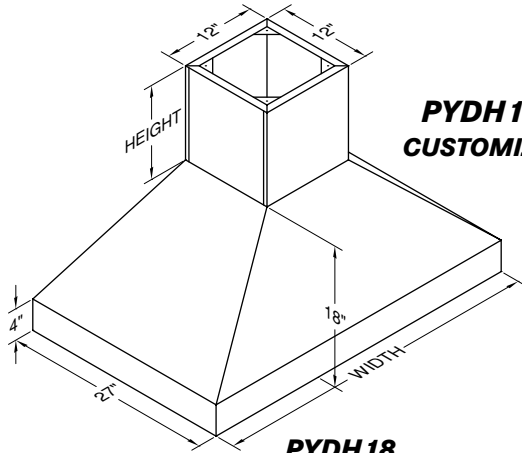
Vent-A-Head®

# EURO-STYLE ISLAND

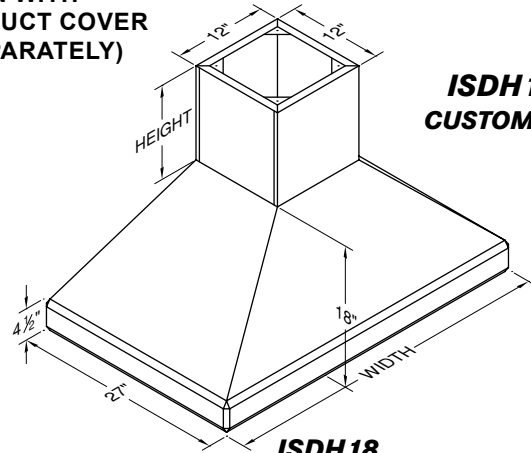
REC. MOUNTING HEIGHT FROM COOKING SURFACE: 30"

550 CFM MODELS: VP565 TRANSITION INCLUDED

SHOWN WITH MATCHING DUCT COVER (SOLD SEPARATELY)



**PYDH 18**  
CUSTOMIZABLE!



**ISDH 18**  
CUSTOMIZABLE!

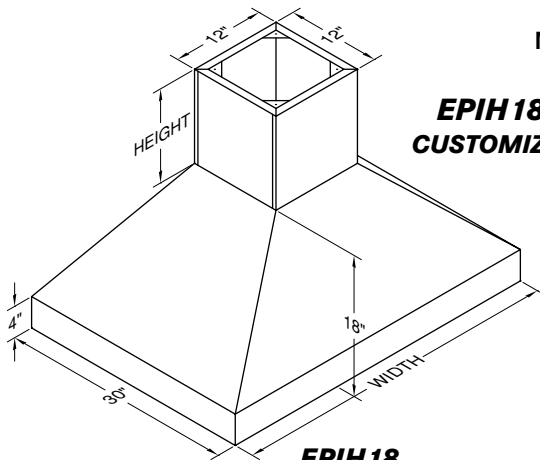
Model No.	CFM	Width	Painted	Stainless	Overlay*	# Lts
PYDH18-236	550	36"	3,886	5,064	7,397	4
PYDH18-242		42"	4,024	5,249	7,673	4
PYDH18-248		48"	4,241	5,543	7,888	4

Model No.	CFM	Width	Painted	Stainless	# Lts
ISDH18-236	550	36"	4,486	5,698	4
ISDH18-242		42"	4,625	5,883	4
ISDH18-248		48"	4,733	6,022	4

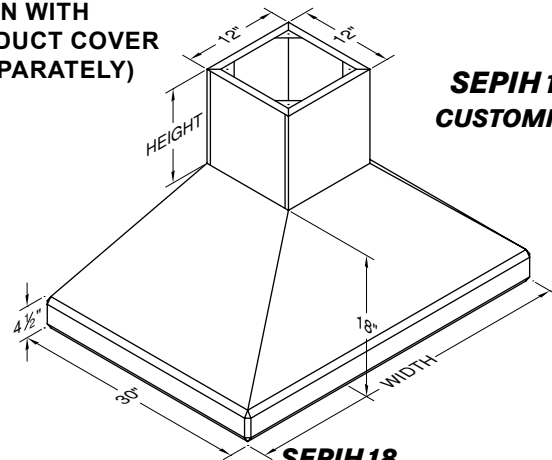
\* FOR OVERLAY MODELS, SPECIFY INTERIOR COLOR. VP565 TRANSITION TO 8" ROUND INCLUDED.

VP565 TRANSITION TO 8" ROUND INCLUDED.

SHOWN WITH MATCHING DUCT COVER (SOLD SEPARATELY)



**EPIH 18**  
CUSTOMIZABLE!



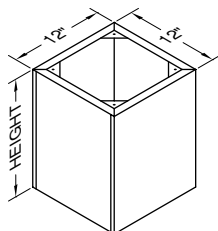
**SEPIH 18**  
CUSTOMIZABLE!

Model No.	CFM	Width	Painted	Stainless	Overlay*	# Lts
EPIH18-236	550	36"	3,994	5,064	7,397	4
EPIH18-242		42"	4,131	5,249	7,673	4
EPIH18-248		48"	4,241	5,543	7,888	4

Model No.	CFM	Width	Painted	Stainless	# Lts
SEPIH18-236	550	36"	4,486	5,364	4
SEPIH18-242		42"	4,625	5,543	4
SEPIH18-248		48"	4,733	5,852	4

\* FOR OVERLAY MODELS, SPECIFY INTERIOR COLOR. VP565 TRANSITION TO 8" ROUND INCLUDED.

VP565 TRANSITION TO 8" ROUND INCLUDED.



## 550 CFM EURO-STYLE ISLAND DUCT COVERS

Model No.	Width	Height	Painted	Stainless	Overlay	Ceiling
IDCRND-12/12	12"	12"	550	578	665	8'
IDCRND-12/24		24"	650	709	895	9'
IDCRND-12/36		36"	750	852	1,111	10'
CUSTOM	WIDTH X HEIGHT X		0.76	1.02	1.69	
	PLUS					473
SLOPED TOP*	ADD					473

CEILING BASED ON REC. MAXIMUM HOOD MOUNTING HEIGHT. \* SPECIFY FRONT TO BACK OR LEFT TO RIGHT DIMENSIONS.

## 550 CFM EURO-STYLE ISLAND HOOD VARIATIONS

<b>SPECIAL WIDTH (LESS THAN 48")</b> USE NEXT LARGEST SIZE ON PRICE LIST, PLUS				276
<b>DEPTH OVER 27"/30"</b>				
	PAINTED	STAINLESS	OVERLAY	
WIDTH X EXTRA DEPTH X PLUS	1.51	2.47	3.03	
		473		
<b>STAINLESS STEEL INTERIOR ON OVERLAY HOOD</b> SUBTRACT PAINTED HOOD PRICE FROM STAINLESS HOOD PRICE				
<b>REMOTE BLOWER OPTIONS</b> SEE PAGE 49 FOR REMOTE BLOWER OPTIONS				
<b>CUSTOM COLOR (SEE CUSTOM COLOR CHART)</b> ADD				
				863
<b>TRIM OPTIONS</b> SEE PAGES 54-55 FOR FINISH AND TRIM OPTIONS				

# EURO-STYLE ISLAND

REC. MOUNTING HEIGHT FROM COOKING SURFACE: 30"

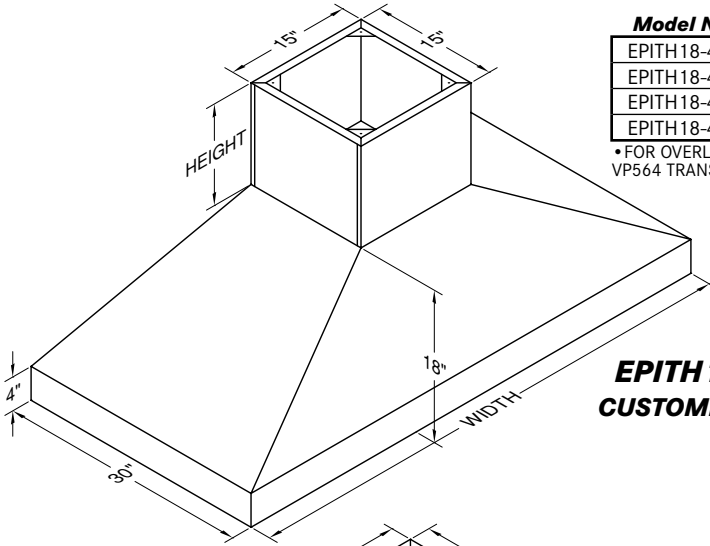
1100 CFM MODELS: VP564 TRANSITION INCLUDED

## EPITH 18

Model No.	CFM	Width	Painted	Stainless	Overlay*	# Lts
EPITH18-448	1100	48"	5,424	6,767	9,173	4
EPITH18-454		54"	5,960	7,367	9,978	4
EPITH18-460		60"	6,196	7,890	10,498	4
EPITH18-466		66"	6,448	8,220	11,035	4

\*FOR OVERLAY HOODS, SPECIFY INTERIOR COLOR.  
VP564 TRANSITION TO 12" ROUND INCLUDED.

SHOWN WITH MATCHING DUCT COVER (SOLD SEPARATELY)



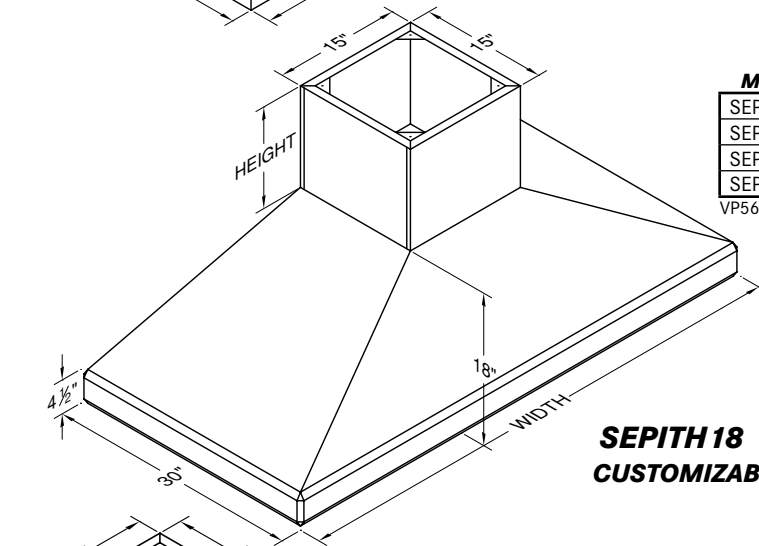
**EPITH 18**  
**CUSTOMIZABLE!**

## SEPITH 18

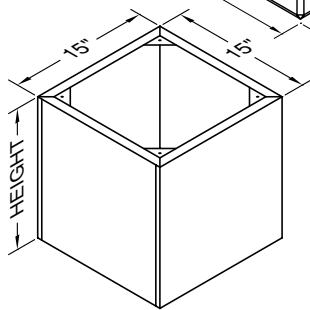
Model No.	CFM	Width	Painted	Stainless	# Lts
SEPITH18-448	1100	48"	5,927	7,414	4
SEPITH18-454		54"	6,465	8,048	4
SEPITH18-460		60"	6,701	8,378	4
SEPITH18-466		66"	6,936	8,727	4

VP564 TRANSITION TO 12" ROUND INCLUDED.

SHOWN WITH MATCHING DUCT COVER (SOLD SEPARATELY)



**SEPITH 18**  
**CUSTOMIZABLE!**



## 1100 CFM EURO-STYLE ISLAND DUCT COVERS

Model No.	Width	Height	Painted	Stainless	Overlay	Ceiling
IDCRND-15/12	15"	12"	563	607	723	8'
IDCRND-15/24		24"	693	781	1,011	9'
IDCRND-15/36		36"	825	954	1,275	10'
CUSTOM	WIDTH X HEIGHT X PLUS		0.76	1.02	1.69	
			473			
SLOPED TOP*	ADD		473			

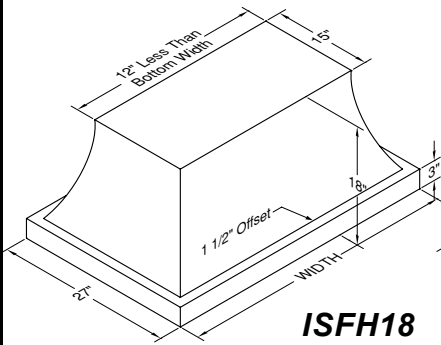
CEILING BASED ON REC. MAXIMUM HOOD MOUNTING HEIGHT.  
\*SPECIFY FRONT TO BACK OR LEFT TO RIGHT DIMENSIONS.

## 1100 CFM EURO-STYLE ISLAND HOOD VARIATIONS

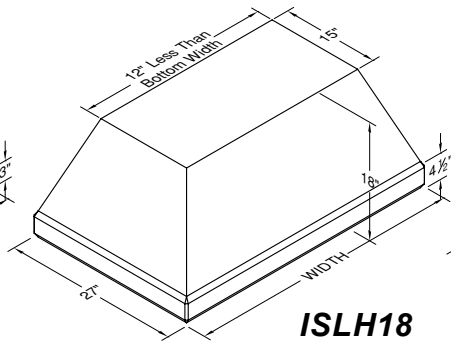
WIDTHS OVER 66"				STAINLESS STEEL INTERIOR ON OVERLAY HOOD	
FOR EACH 6" INCREMENT PLUS	PAINTED 244	STAINLESS 320	OVERLAY 504	SUBTRACT PAINTED HOOD PRICE FROM STAINLESS HOOD PRICE	
<b>SPECIAL WIDTH (LESS THAN 66")</b> USE NEXT LARGEST SIZE ON PRICE LIST, PLUS		276		<b>REMOTE BLOWER OPTIONS</b> SEE PAGE 49 FOR REMOTE BLOWER OPTIONS	
<b>DEPTH OVER 30"</b>				<b>CUSTOM COLOR (SEE CUSTOM COLOR CHART)</b> ADD 863	
WIDTH X EXTRA DEPTH X PLUS	PAINTED 1.51	STAINLESS 2.47	OVERLAY 3.03	<b>TRIM OPTIONS</b> SEE PAGES 54-55 FOR FINISH AND TRIM OPTIONS	
		473			

## OTHER ISLAND STYLES

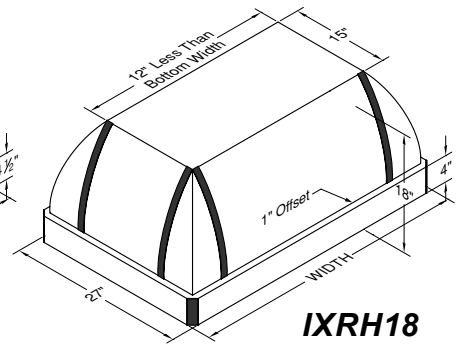
THESE MODELS HAVE BEEN REMOVED FROM OUR PRICING LITERATURE BUT THAT DOES NOT MEAN THAT THEY HAVE BEEN DISCONTINUED. PLEASE CONTACT THE FACTORY FOR PRICING DETAILS ON THESE HOODS.



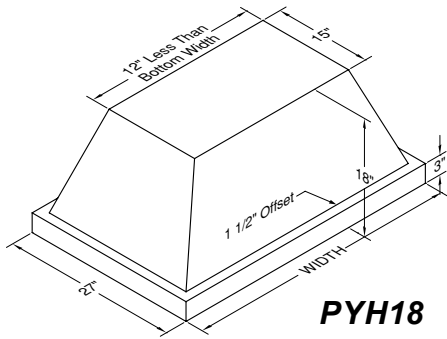
**ISFH18**



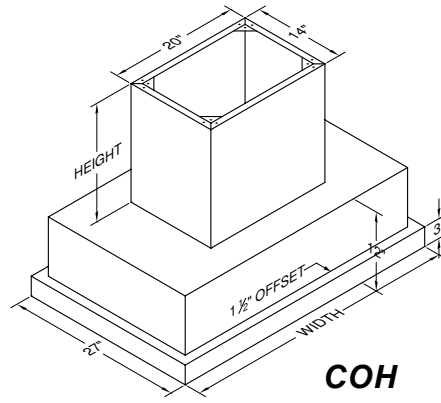
**ISLH18**



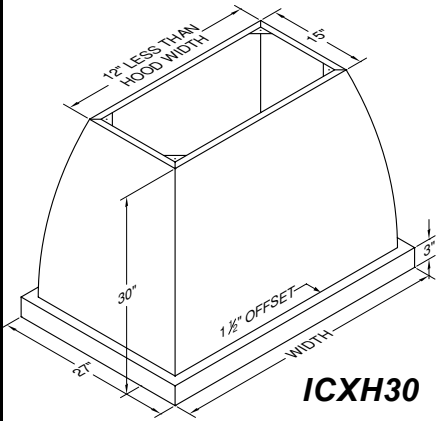
**IXRH18**



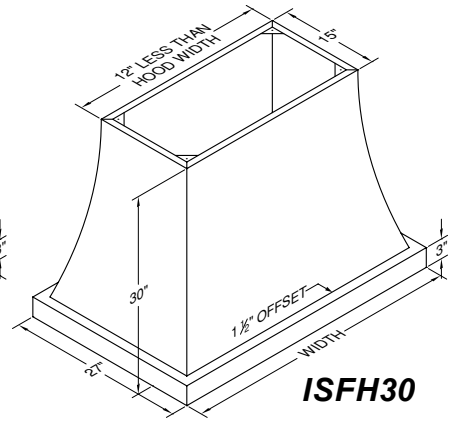
**PYH18**



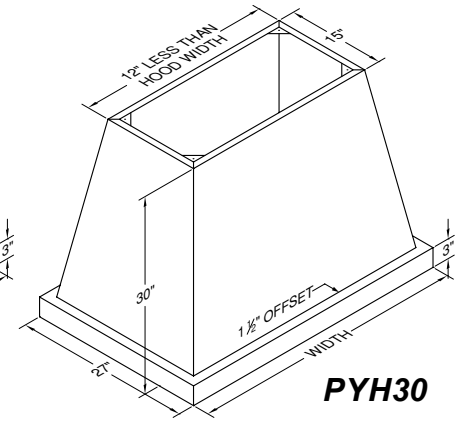
**COH**



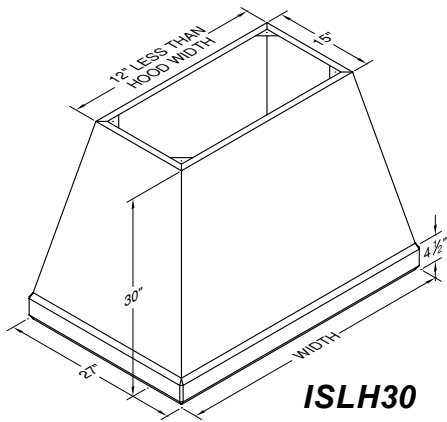
**ICXH30**



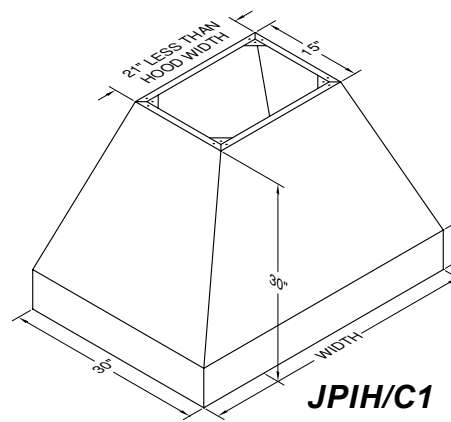
**ISFH30**



**PYH30**



**ISLH30**



**JPIH/C1**

# WALL MOUNT LINER INSERTS

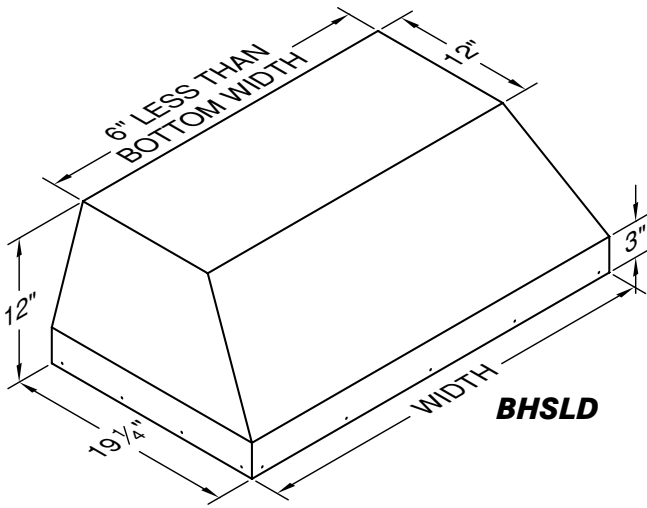
REC. MOUNTING HEIGHT FROM COOKING SURFACE:

BHSLD: 24"-27"

BHPSLD & BHPSLB: 27"-30"

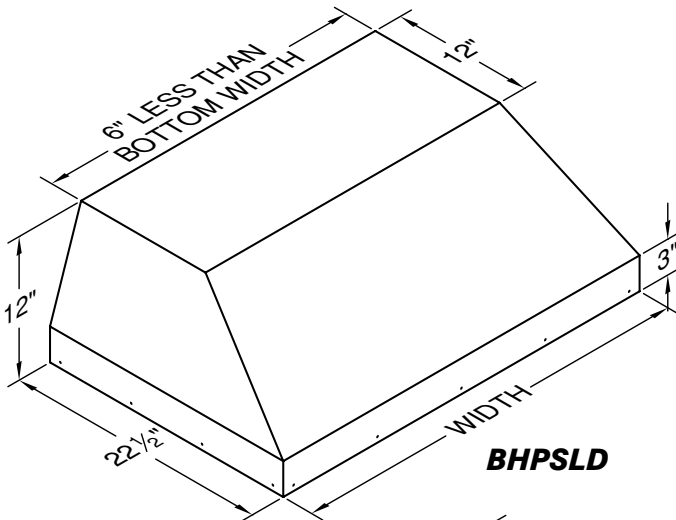
900 CFM OPTIONAL TRANSITION TO 10" ROUND: VP562

1200 CFM OPTIONAL TRANSITION TO 12" ROUND: VP563



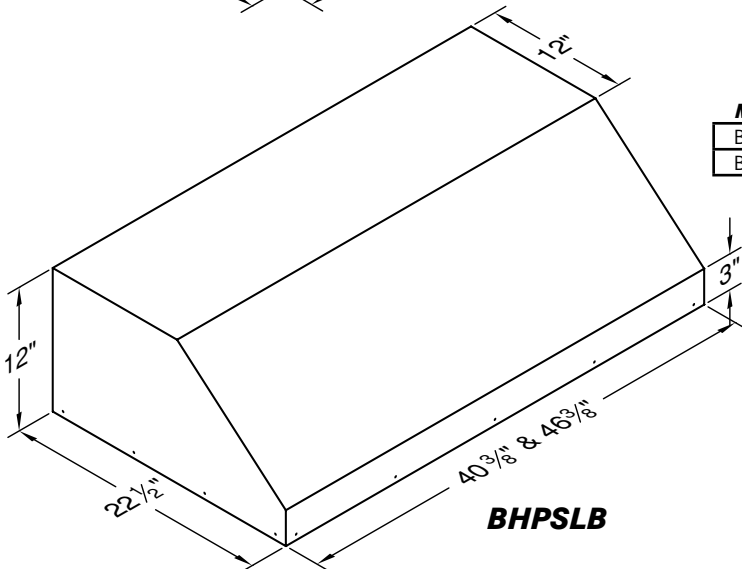
**BHSLD**

Model No.	CFM	Width	Painted	Stainless	# Lts
BH128SLD	300	28 3/8"	1,060	1,403	2
BH134SLD		34 3/8"	1,060	1,403	2
BH140SLD		40 3/8"	1,228	1,577	2
BH228SLD	600	28 3/8"	1,509	1,894	2
BH234SLD		34 3/8"	1,509	1,894	2
BH240SLD		40 3/8"	1,690	2,083	2
BH246SLD	900	46 3/8"	1,802	2,248	3
BH346SLD		46 3/8"	2,304	2,787	3



**BHPSLD**

Model No.	CFM	Width	Painted	Stainless	# Lts
BH128PSLD	300	28 3/8"	1,060	1,403	2
BH134PSLD		34 3/8"	1,060	1,403	2
BH140PSLD		40 3/8"	1,228	1,577	2
BH146PSLD		46 3/8"	1,558	2,134	2
BH152PSLD		52 3/8"	1,952	2,687	2
BH228PSLD	600	28 3/8"	1,553	1,914	2
BH234PSLD		34 3/8"	1,553	1,914	2
BH240PSLD		40 3/8"	1,724	2,110	2
BH246PSLD		46 3/8"	1,781	2,293	3
BH252PSLD	900	52 3/8"	2,215	2,822	3
BH346PSLD		46 3/8"	2,340	2,831	3
BH352PSLD		52 3/8"	2,664	3,374	3
BH358PSLD	1200	58 3/8"	3,132	3,953	4
BH452PSLD		52 3/8"	3,115	3,867	3
BH458PSLD		58 3/8"	3,582	4,447	4
BH464PSLD		64 3/8"	3,781	4,710	4

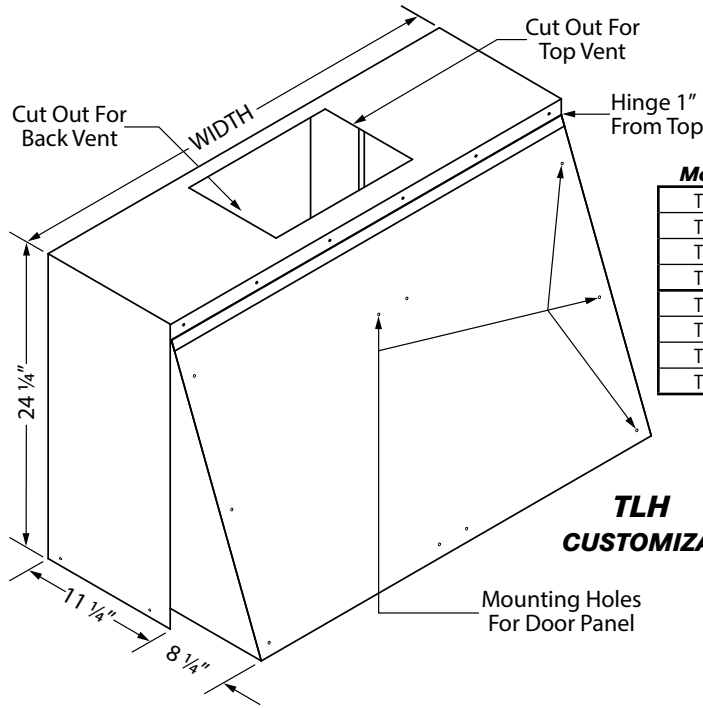


**BHPSLB**

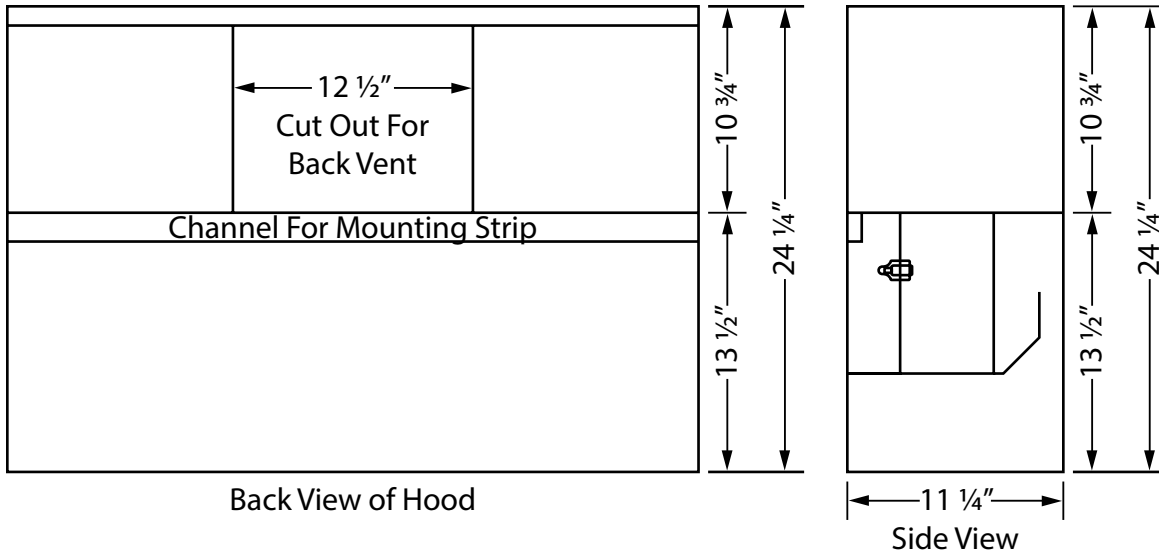
Model No.	CFM	Width	Painted	Stainless	# Lts
BH340PSLB	900	40 3/8"	2,336	2,826	3
BH446PSLB	1200	46 3/8"	2,873	3,461	3

# WALL MOUNT LINER INSERTS

**REC. MOUNTING HEIGHT FROM COOKING SURFACE: 23 3/4"**



<b>TLH</b>					
<b>Model No.</b>	<b>CFM</b>	<b>Width</b>	<b>Painted</b>	<b>Stainless</b>	<b># Lts</b>
TLH-130	300	30"	2,034	2,754	2
TLH-136		36"	2,081	2,785	2
TLH-142		42"	2,243	2,962	3
TLH-148	600	48"	2,333	3,070	3
TLH-230		30"	2,478	3,239	2
TLH-236		36"	2,525	3,271	2
TLH-242		42"	2,686	3,448	3
TLH-248	48"	2,777	3,556	3	



<b>TLH WALL MOUNT HOOD VARIATIONS</b>			
<b>SPECIAL WIDTH (LESS THAN 48")</b>		<b>CUSTOM TILT OUT</b>	
ADD	276	HEIGHT (36" MAX), WIDTH, DEPTH OR COMBO VARIATION	
<b>HINGE AT TOP</b>		ADD	564
ADD	276	<b>CUSTOM COLOR (SEE CUSTOM COLOR CHART)</b>	
		ADD	863

# ISLAND LINER INSERTS

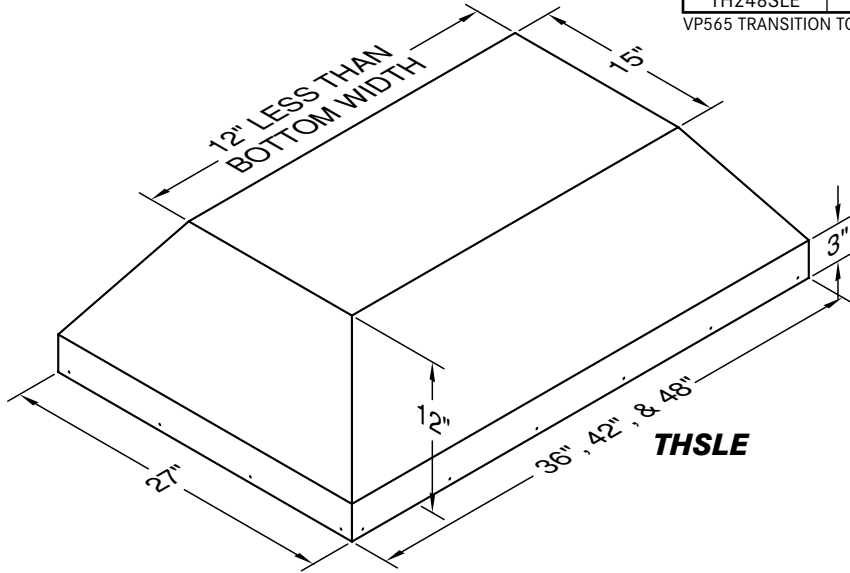
REC. MOUNTING HEIGHT FROM  
COOKING SURFACE: 30"

550 CFM MODELS: VP565 TRANSITION INCLUDED  
1100 CFM MODELS: VP564 TRANSITION INCLUDED

## THSLE

Model No.	CFM	Width	Painted	Stainless	# Lts
TH236SLE	550	36"	2,491	3,104	4
TH242SLE		42"	2,547	3,192	4
TH248SLE		48"	2,603	3,250	4

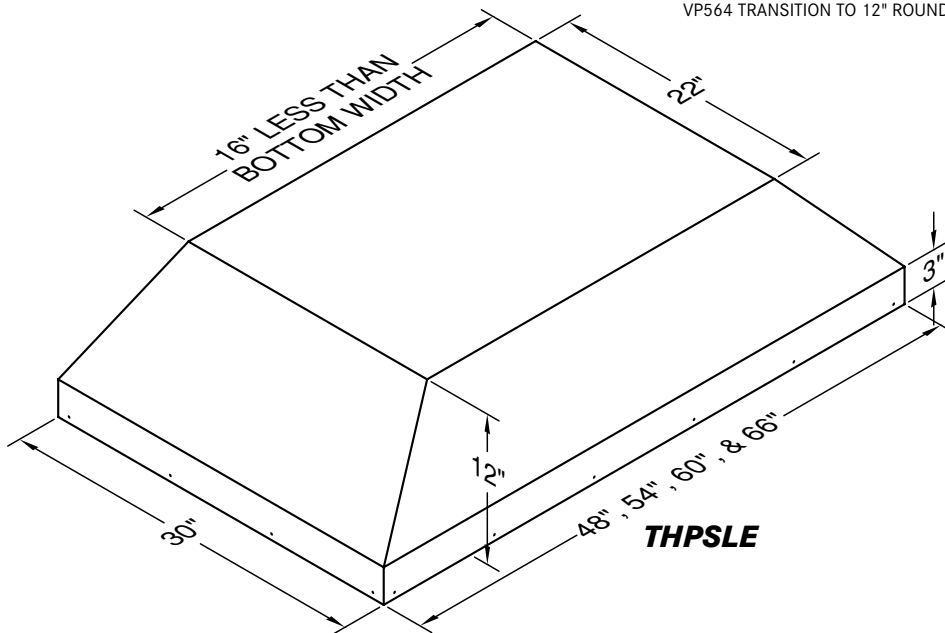
VP565 TRANSITION TO 8" ROUND INCLUDED.



## THPSLE

Model No.	CFM	Width	Painted	Stainless	# Lts
TH448PSLE	1100	48"	4,113	5,605	4
TH454PSLE		54"	4,279	5,815	4
TH460PSLE		60"	4,373	6,015	4
TH466PSLE		66"	4,439	6,136	4

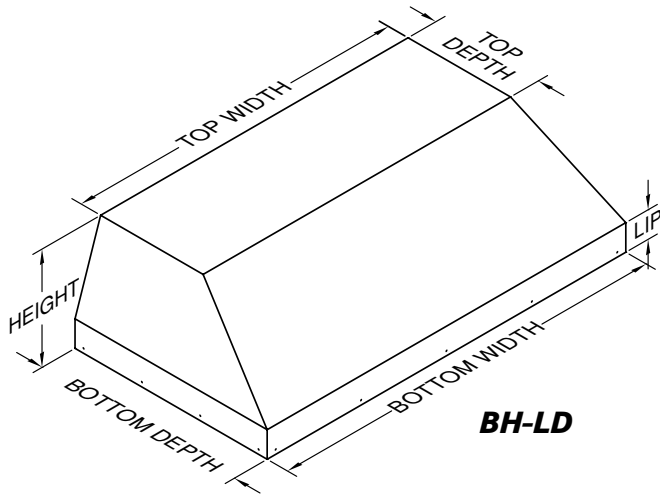
VP564 TRANSITION TO 12" ROUND INCLUDED.



# CUSTOM WALL MOUNT LINER INSERTS

REC. MOUNTING HEIGHT FROM  
COOKING SURFACE: VARIES BY SIZE

900 CFM OPTIONAL TRANSITION TO 10" ROUND: VP562  
1200 CFM OPTIONAL TRANSITION TO 12" ROUND: VP563



**BH-LD**

**MINIMUM TOP WIDTH FOR 300 SERIES IS 40-3/8".**  
**MINIMUM TOP WIDTH FOR 400 SERIES IS 46-3/8"**

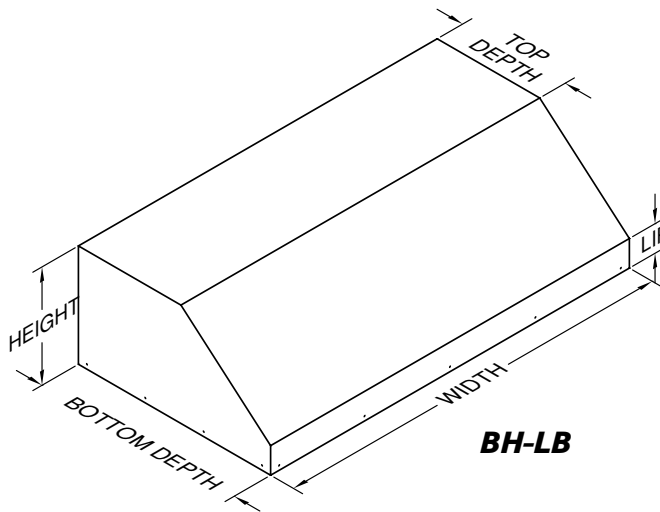
**BH-LD**

Model No.	CFM	Width	Painted	Stainless	# Lts
BH100LD-A	300	24"-36"	2,122	2,773	2
BH200LD-A	600	24"-36"	2,645	3,330	2
BH200LD-B		36"-48"	2,938	3,639	*
BH200LD-C		48"-54"	3,329	4,227	*
BH300LD-D	900	42"-54"	3,983	5,010	*
BH400LD-E	1200	48"-66"	4,862	6,056	*

2 LIGHTS FOR HOODS 24"<42", 3 LIGHTS FOR HOODS 42"<54", 4 LIGHTS FOR HOODS 54"≤66"

**TRIM KIT INCLUDED**  
**DIMENSIONS BELOW ARE AVAILABLE**  
**AT NO ADDITIONAL COST.**

<b>BOTTOM DEPTH:</b>	<b>16" - 24"</b>
<b>HEIGHT:</b>	<b>12"</b>
<b>TOP DEPTH:</b>	<b>12"</b>
<b>LIP:</b>	<b>3"</b>



**BH-LB**

**BH-LB**

Model No.	CFM	Width	Painted	Stainless	# Lts
BH100LB-A	300	24"-36"	1,632	2,284	2
BH200LB-A	600	24"-36"	2,156	2,825	2
BH200LB-B		36"-48"	2,448	3,150	*
BH200LB-C		48"-54"	2,839	3,721	*
BH300LB-D	900	42"-54"	3,495	4,504	*
BH400LB-E	1200	48"-66"	4,373	5,566	*

2 LIGHTS FOR HOODS 24"<42", 3 LIGHTS FOR HOODS 42"<54", 4 LIGHTS FOR HOODS 54"≤66"

**TRIM KIT INCLUDED**  
**DIMENSIONS BELOW ARE AVAILABLE**  
**AT NO ADDITIONAL COST.**

<b>BOTTOM DEPTH:</b>	<b>16" - 24"</b>
<b>HEIGHT:</b>	<b>12"</b>
<b>TOP DEPTH:</b>	<b>12"</b>
<b>LIP:</b>	<b>3"</b>

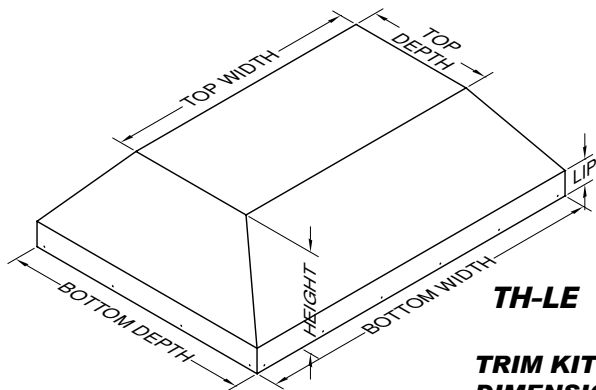
**CUSTOM WALL MOUNT LINER INSERT VARIATIONS**

WIDTHS OVER 66"		LIP (OTHER THAN 3" STANDARD)	
FOR EACH 6" INCREMENT	PAINTED 214	STAINLESS 307	ADD 473
PLUS	276		<b>SPECIAL TOP DEPTH (12" MINIMUM)</b>
<b>SPECIAL HEIGHT (OTHER THAN 12" STANDARD)</b> 9" MINIMUM, 18" MAXIMUM	ADD 473		ADD 473
<b>DEPTH OVER 24"</b>	PAINTED 1.37		<b>ADDITIONAL BLOWERS &amp; LIGHTS</b>
WIDTH X EXTRA DEPTH X PLUS	473		SEE PAGE 48 FOR BLOWER OPTIONS
			<b>REMOTE BLOWER OPTIONS</b>
			SEE PAGE 49 FOR REMOTE BLOWER OPTIONS
			CUSTOM COLOR (SEE CUSTOM COLOR CHART)
			ADD 863
			WARMING LAMPS AND SHELVES
			SEE PAGES 51 FOR WARMING LAMP AND SHELF OPTIONS

# CUSTOM ISLAND LINER INSERTS

REC. MOUNTING HEIGHT FROM COOKING SURFACE: VARIES BY SIZE

VP565 TRANSITION INCLUDED WITH EACH DUAL BLOWER  
VP564 TRANSITION INCLUDED WITH EACH CLUSTER BLOWER



**TH-LE**

**TRIM KIT INCLUDED**

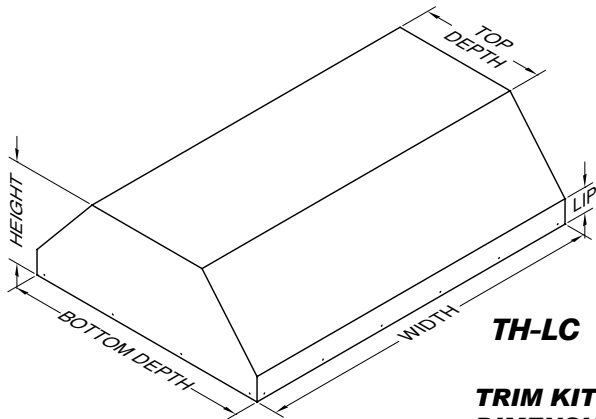
**DIMENSIONS BELOW ARE AVAILABLE AT NO ADDITIONAL COST.**

<b>BOTTOM DEPTH:</b>	<b>27"</b>
<b>HEIGHT:</b>	<b>12"</b>
<b>TOP WIDTH:</b>	<b>12" LESS THAN BOTTOM WIDTH</b>
<b>TOP DEPTH:</b>	<b>12" LESS THAN BOTTOM DEPTH</b>
<b>LIP:</b>	<b>3"</b>

**TH-LE**

MODEL NO.	CFM•	Width	Painted	Stainless	# Lts
TH200LE-A	550	24"-36"	3,510	4,486	4
TH200LE-B		36"-48"	3,724	4,760	4
TH200LE-C		48"-54"	4,012	5,141	4
TH2+200LE-E	1100	48"-66"	5,774	7,351	*

EACH DUAL BLOWER REQUIRES 24" MINIMUM TOP WIDTH.  
•VP565 TRANSITION TO 8" ROUND INCLUDED WITH EACH DUAL BLOWER.  
4 LIGHTS FOR HOODS 48"<60", 8 LIGHTS FOR HOODS 60"≤66"  
A CLUSTER BLOWER (1100 CFM) IS AVAILABLE ON MODELS WITH A MINIMUM TOP SIZE OF 24" WIDE X 24" DEEP. CONTACT THE FACTORY FOR ADDITIONAL DETAILS.



**TH-LC**

**TRIM KIT INCLUDED**

**DIMENSIONS BELOW ARE AVAILABLE AT NO ADDITIONAL COST.**

<b>BOTTOM DEPTH:</b>	<b>27"</b>
<b>HEIGHT:</b>	<b>12"</b>
<b>TOP DEPTH:</b>	<b>12" LESS THAN BOTTOM DEPTH</b>
<b>LIP:</b>	<b>3"</b>

**TH-LC**

MODEL NO.	CFM•	Width	Painted	Stainless	# Lts
TH200LC-A	550	24"-36"	3,510	4,486	4
TH200LC-B		36"-48"	3,724	4,760	4
TH200LC-C		48"-54"	4,012	5,141	4
TH2+200LC-E	1100	48"-66"	5,774	7,351	*

EACH DUAL BLOWER REQUIRES 24" MINIMUM TOP WIDTH.  
•VP565 TRANSITION TO 8" ROUND INCLUDED WITH EACH DUAL BLOWER.  
4 LIGHTS FOR HOODS 48"<60", 8 LIGHTS FOR HOODS 60"≤66"  
A CLUSTER BLOWER (1100 CFM) IS AVAILABLE ON MODELS WITH A MINIMUM TOP SIZE OF 24" WIDE X 24" DEEP. CONTACT THE FACTORY FOR ADDITIONAL DETAILS.

CUSTOM ISLAND LINER INSERT VARIATIONS				
<b>WIDTHS OVER 66"</b>		PAINTED	STAINLESS	<b>SPECIAL HEIGHT (OTHER THAN 12" STANDARD)</b> 9" MINIMUM, 18" MAXIMUM ADD 473
	FOR EACH 6" INCREMENT PLUS	244	320	
<b>DEPTH OVER 27"</b>		PAINTED	STAINLESS	<b>SPECIAL TOP WIDTH OR DEPTH</b> ADD 473
	WIDTH X EXTRA DEPTH X PLUS	1.51	2.47	
<b>LIP (OTHER THAN 3" STANDARD)</b>				<b>REMOTE BLOWER OPTIONS</b> SEE PAGE 49 FOR REMOTE BLOWER OPTIONS
	ADD	473		
				<b>CUSTOM COLOR (SEE CUSTOM COLOR CHART)</b> ADD 863

## BLOWER OPTIONS

You may need to add a blower to hoods to increase CFM, depending on the cooking equipment being used. To add a blower to a hood, you need to have enough top space inside of the hood to do so. A Single Blower requires 16" of space, a Dual Blower requires 24" of space, an Island Dual Blower requires 12" D x 23 1/2" W, and an Island Cluster Blower requires 24" D x 24" W.

### ADDING BLOWERS

Model	Volts	Amps	Hz	RPM	*CFM	**Equiv CFM	Painted	Stainless Steel
Single Blower	120	1.5	60	1550	300	450	472	583
Dual Blower	120	2.9	60	1550	600	900	916	1,068
Island Dual Blower	120	2.9	60	1550	550	900	943	1,207
Island Cluster Blower	120	5.8	60	1550	1100	1800	1,886	2,413
RM1000	120	3.2	60	1100	945	N/A	1,381	
RM1500	120	5.0	60	1130	1500	N/A	1,735	

SensaSource® - Our patented speed control system that allows the blower to be turned to half speed for light cooking but automatically returns to high speed when heat rise is detected. This feature is standard on all Magic Lung® and K Series models with halogen lighting.

#### SensaSource®

Convert two-speed blower to auto-on SensaSource® control (one for each single or dual blower) 123 ea.

\* CFM rating is based on 0.0" static pressure (resistance in the ducting turns, roof caps, etc.) CFM rating will change as static pressure is increased. Static pressure increases due to ducting and length of duct run.

\*\* Equivalent CFM refers to the fact that the Magic Lung® uses centrifugal filtration units, while others use conventional filters. Apply this guideline when comparing blower units made by other manufacturers.

There are certain customers who will want a remote blower range hood despite the benefits of the Magic Lung blower system. The following steps will help you when pricing remote blower hoods.

1. Specify how many and which filters you will be using. B20 SS filters are for wall mount or under cabinet installations and T20 SS filters are for island installations. We recommend one B20 SS or T20 SS for each 22" of hood top width.
2. Specify the size and number of remote blowers you will need. The RM1000 is equivalent to a B200 or T200 blower. The RM1500 is 50% larger.
3. For each remote blower, you will need to add an accessory kit. The accessory kit includes a variable speed blower controller, LED lights, back draft dampers, and a 10" duct collar.

### DEDUCTING BLOWERS FOR REMOTE BLOWER MODELS

BLOWER PRICING BELOW IS FOR USE IN CALCULATING DEDUCTIONS FOR REMOTE BLOWERS ONLY.		
MODEL	PAINTED	STAINLESS
B100 (SINGLE BLOWER)	470	583
B200 (DUAL BLOWER)	915	1,068
T200 (ISLAND DUAL BLOWER)	943	1,206
T400 (ISLAND CLUSTER BLOWER)	1,886	2,413
SPECIAL COLLAR		287

## REMOTE BLOWERS

### HOOD SELECTION/PRICING WITH REMOTE BLOWERS

1. CHOOSE THE BASE MODEL HOOD THAT IS TO BE EQUIPPED WITH A REMOTE BLOWER.
2. DEDUCT THE PRICE OF THE INTERNAL BLOWER(S) FROM THE HOOD (SEE PREVIOUS PAGE).
3. ADD THE APPROPRIATE ACCESSORY KIT (SEE RIGHT).
4. ADD THE APPROPRIATE FILTERS (SEE BELOW).
5. ADD THE APPROPRIATE REMOTE BLOWER UNIT(S) (SEE BELOW).

### LIGHT KITS

INCLUDES LED LIGHTS, TWO-STAGE LIGHT SWITCH, SOLID STATE MOTOR CONTROL SWITCH (VARIABLE SPEED) AND 10" DAMPER ASSEMBLY INSTALLED IN HOOD.

ACC.KIT-W-H2 (2 LED LIGHTS/WALL MT)	671
ACC.KIT-W-H3 (3 LED LIGHTS/WALL MT)	851
ACC.KIT-W-H4 (4 LED LIGHTS/WALL MT)	1,031
ACC.KIT-I-H4 (4 LED LIGHTS/ISLAND)	1,399
ACC.KIT-I-H8 (8 LED LIGHTS/ISLAND)	2,100

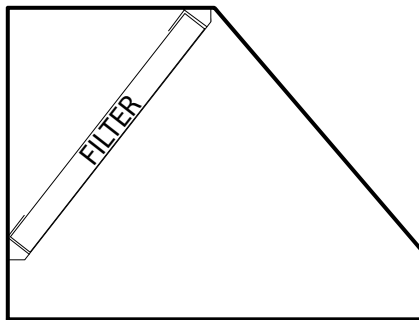
### ACCESSORY KIT PARTS

SOLID STATE (VARIABLE SPEED) MOTOR  
CONTROL WALL SWITCH (P1500W) 104

### ACCESSORY KIT PARTS

*WHEN ORDERED WITH HOOD*  
TO ADD MOTOR CONTROL WALL SWITCH ASSEMBLY  
ADD (P1500R) 26

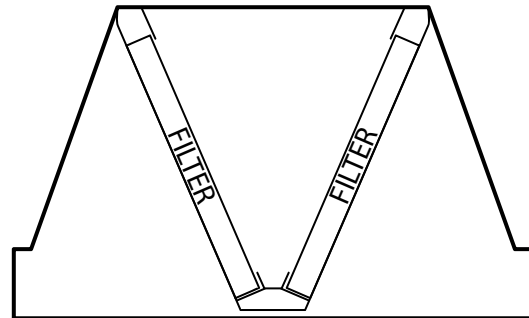
### WALL MOUNT BAFFLE FILTER



WALL MOUNT SIDE VIEW

B20 SS (PER FILTER) 459  
(SPECIFY ONE B20 SS FOR EACH 22" OF HOOD TOP WIDTH)

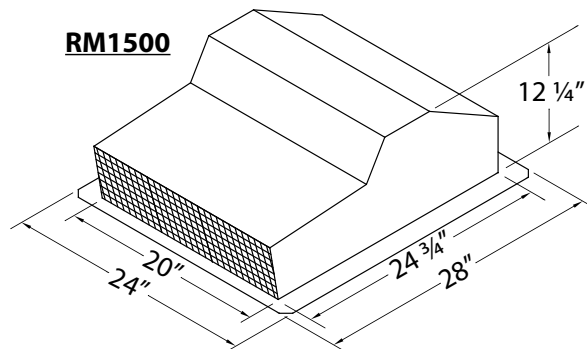
### ISLAND BAFFLE FILTER



ISLAND SIDE VIEW

T20 SS (PER PAIR OF FILTERS) 948  
(SPECIFY ONE PAIR OF T20 SS FOR EACH 22" OF HOOD TOP WIDTH)

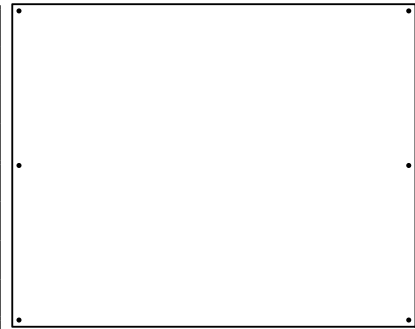
### REMOTE BLOWER



RM1500 REMOTE BLOWER 1,735

## STANDARD SPLASH PANELS

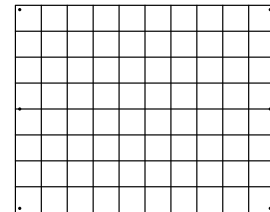
<b>Panel Size</b>	<b>Painted</b>	<b>Stainless</b>	<b>Overlay</b>
30" W x 24" T	70	116	276
36" W x 24" T	84	138	330
42" W x 24" T	100	162	382
48" W x 24" T	108	185	443
30" W x 30" T	84	146	345
36" W x 30" T	100	177	413
42" W x 30" T	123	199	482
48" W x 30" T	138	229	550
SPECIAL SIZES (SPECIFY IF HEMS/HOLES REQUIRED)			
PER SQ INCH	0.16	0.26	0.36



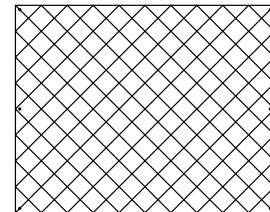
HEMS AND HOLES ARE INCLUDED ON STANDARD SIZES, PRICE AS A CUSTOM PANEL IF HEMS AND/OR HOLES ARE NOT REQUIRED.

## OVERLAY & PATTERNED SPLASH PANELS

<b>Panel Size</b>	<b>Painted</b>	<b>Stainless</b>	<b>Overlay</b>
30" W x 24" T Pat.	193	239	398
36" W x 24" T Pat.	206	261	452
42" W x 24" T Pat.	224	284	504
48" W x 24" T Pat.	235	312	570
30" W x 30" T Pat.	206	269	467
36" W x 30" T Pat.	224	299	536
42" W x 30" T Pat.	244	322	604
48" W x 30" T Pat.	260	351	672
SPECIAL SIZES (SPECIFY IF HEMS/HOLES REQUIRED)			
PER SQ INCH	0.16	0.26	0.36
PLUS		127	



CHECKERBOARD



DIAMOND

HEMS AND HOLES ARE INCLUDED ON STANDARD SIZES, PRICE AS A CUSTOM PANEL IF HEMS AND/OR HOLES ARE NOT REQUIRED.

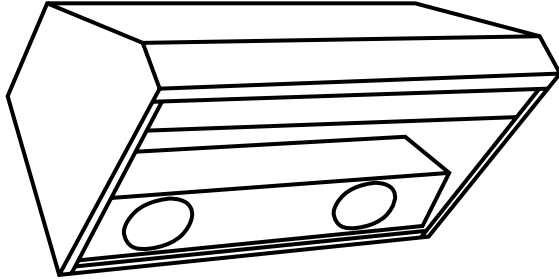
## OTHER SPLASH PANEL OPTIONS

### Ordering Notes and Options:

PAINTED SPLASH PANELS MUST HAVE AT LEAST ONE HOLE IN THEM TO ALLOW FOR PAINTING.	
FOR CUT-OUTS OR SPECIAL BREAKS, ADD	32
CRATING CHARGE FOR PANELS TOO LARGE TO PACKAGE WITH HOOD, ADD	55
MINIMUM CHARGE ON SMALL PANELS	32

# WARMING LAMPS & SHELVES

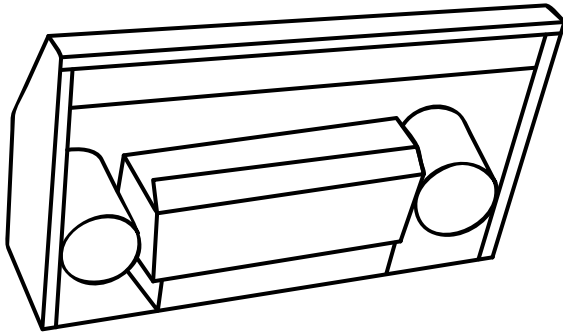
## WARMING BAR WARMING LIGHT FACTORY INSTALLED



FOR USE IN HOODS 18" OR TALLER.  
NOT AVAILABLE ON HOODS WITH DECKS BELOW 18".  
BULBS NOT INCLUDED.

Model No.	Price
WBAR INCLUDES 2 LIGHTS	489
FOR ADDITIONAL LIGHTS, ADD	489
PLUS, PER LIGHT	294

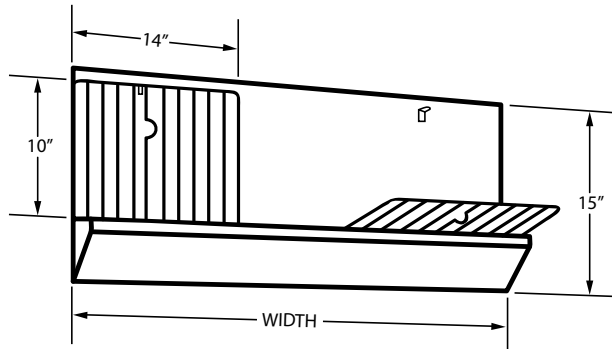
## WARMING LAMP HOUSING WARMING LIGHT FACTORY INSTALLED



FOR USE IN HOODS UNDER 18" TALL.  
8" TOP DIMENSION REQUIRED PER FIXTURE.  
BULBS NOT INCLUDED.

Model No.	Price Per Light
WL-1	294

## WARMING SHELF



TWO FOLD DOWN SHELVES ON A BACKSPLASH.  
MOUNTED ON A 3 1/2" DEEP LEDGE.  
EACH SHELF IS 10" DEEP x 14" WIDE.  
STAINLESS BACKSPLASH IS 15" TALL.

Model No.	Width	Price
WS030	30"	565
WS036	36"	618
WS042	42"	664
WS048	48"	727
WS054	54"	772
WS060	60"	824
WS066	66"	872
WS072	72"	930

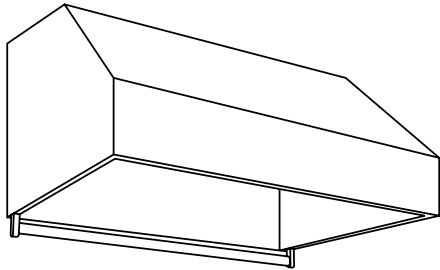
Model No.	Description	Price
P1415	Additional Shelf	284

WS0 With Non-Standard Width	Price
USE NEXT LARGEST SIZE ON PRICE LIST PLUS	294

## MODEL WR0

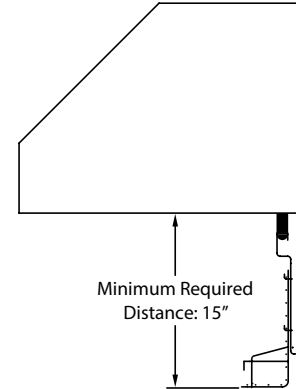
### MUST BE FACTORY INSTALLED

WR0 kit installed on hood includes mounting hardware, accessory rail, two hanger brackets, and two warming shelves with spice racks.



Model No.	Width	Price
WR030	30"	548
WR036	36"	555
WR042	42"	555
WR048	48"	576
WR054	54"	576
WR060	60"	576
WR066	66"	674
WR072	72"	694
UP TO 120"		694

SPECIAL WIDTH: USE NEXT LARGEST SIZE.



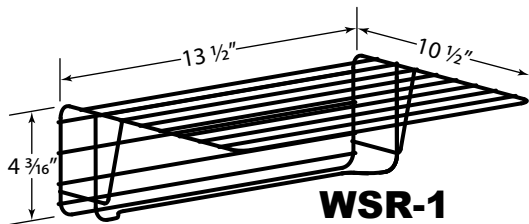
## MODEL WR0L

For use with liner inserts. Specify exact width between cabinets. Use next largest size price for WR0 listed to the right. Kit includes mounting end caps, accessory rail, two hanger brackets, and two warming shelves with spice racks.

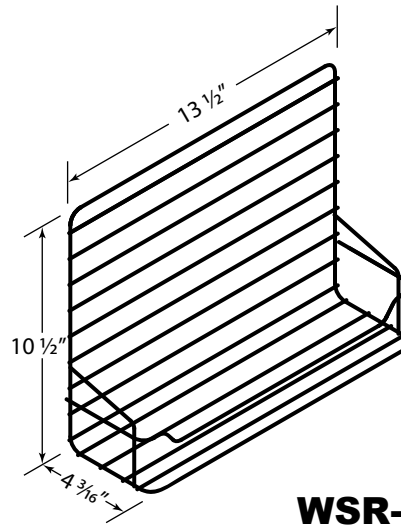
Hood must be at least 30" wide to allow sufficient space for two hanging brackets.

The minimum for hoods with the SL lip is 32" due to the decorative features of the SL lip.

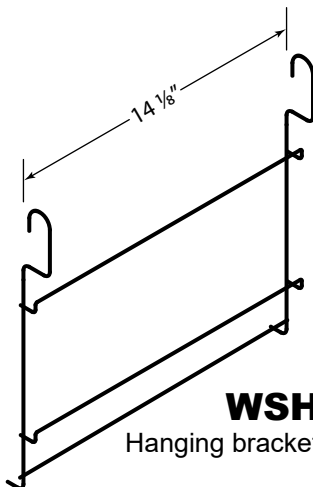
## ADDITIONAL SHELVES/SPICE RACKS



**WSR-1**  
WSR-1 shown in warming shelf position.



**WSR-1**  
WSR-1 shown in spice rack position.



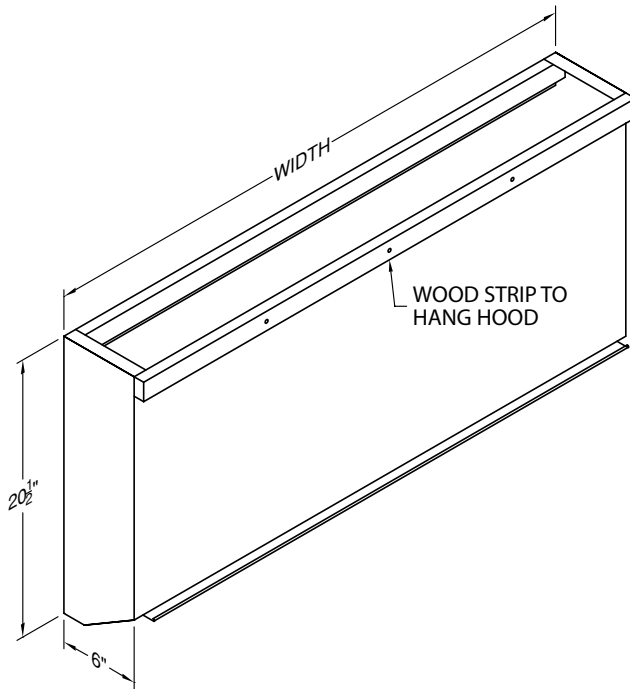
**WSH-1**  
Hanging bracket for WSR-1.

Model No.	Description	Price
WSR-1	Warming Shelf/Rack	125
WSH-1	Hanging Bracket	70
WR0-EC	End Cap (2 Req.)	32

# BBQ EXTENSION

## BBE BBQ EXTENSION

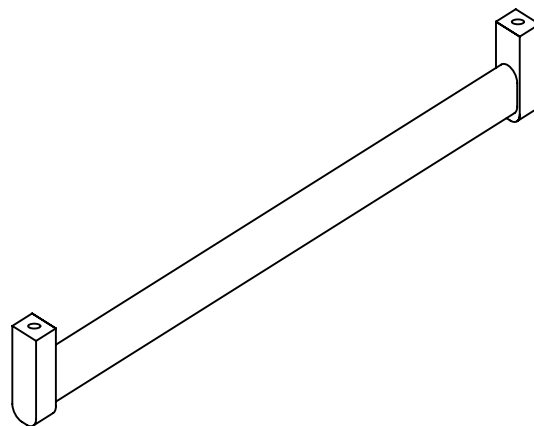
- OFFERS MAXIMUM CANOPY EXPOSURE OVER OUTDOOR GRILL APPLICATIONS
- EXTENDS PROJECTION TO 30" OR 33" DEEP
- FOR USE WITH PRH18, PRXH18, NPH18, NPXH18, XRH18, OR XRXH18 MODELS WHEN NOT EQUIPPED WITH A WARMING BAR.



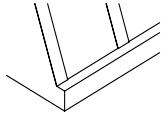
<b>Model No.</b>	<b>Width</b>	<b>Painted</b>	<b>Stainless</b>
BBE30	30"	538	753
BBE36	36"	562	879
BBE42	42"	578	964
BBE48	48"	602	1028
BBE54	54"	626	1107
BBE60	60"	650	1180

## WR ACCESSORY RAIL MUST BE FACTORY INSTALLED FOR USE WITH BBQ EXTENSION KIT. AVAILABLE IN SS FINISH ONLY.

<b>Model No.</b>	<b>Price</b>
WR-30	146
WR-36	162
WR-42	162
WR-48	169
WR-54	169
WR-60	169



## VERTICAL BANDS

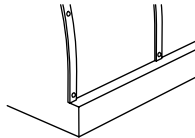


18 GAUGE\*

1/2" WIDE: EACH BAND (UP TO 30")	236
1" WIDE: EACH BAND (UP TO 30")	236
2" WIDE: EACH BAND (UP TO 30")	236
TALLER THAN 30", PER INCH PER BAND, ADD	8.00

\* 18 GAUGE VERTICAL BANDS ARE ATTACHED WITH LAMINATE. 18 GAUGE VERTICAL BANDS CAN BE ATTACHED WITH 1/4" RIVETS, 1/2" RIVETS, 3/8" HEX NUTS, 1/2" HEX NUTS, OR 3/4" PYRAMID CLAVOS BY REQUEST. HAMMERED COPPER MATERIAL IS THINNER THAN 18 GAUGE MATERIAL. ATTACHMENTS ARE REQUIRED FOR HAMMERED COPPER BANDS AND FOR BANDS ON HAMMERED COPPER HOODS.

## HEAVY VERTICAL BANDS



SOLID BRASS, SOLID COPPER, OR BRUSHED SS 1/8" THICK x 1" WIDE, EACH (UP TO 30") TALLER THAN 30" PER INCH PER BAND, ADD	257 9.00
1/4" THICK x 1" WIDE, EACH (UP TO 30") TALLER THAN 30", PER INCH PER BAND, ADD	281 9.00

1/8" THICK AND 1/4" THICK HEAVY VERTICAL BANDS ARE ATTACHED WITH 1/2" RIVETS. CAN BE ATTACHED WITH LAMINATE BY REQUEST.

## LIP TREATMENT (L/T)



18 GAUGE, PER INCH, ADD	8.00 *
1/8" THICK x 1" TALL SOLID BRASS, SOLID COPPER, OR BRUSHED SS PER INCH, ADD	9.00 **
1/4" THICK x 1" TALL SOLID BRASS, SOLID COPPER, OR BRUSHED SS PER INCH, ADD	9.00 **

\* 18 GAUGE L/T IS ATTACHED WITH LAMINATE. 18 GAUGE L/T CAN BE ATTACHED WITH 1/4" RIVETS, 1/2" RIVETS, 3/8" HEX NUTS, 1/2" HEX NUTS, OR 3/4" PYRAMID CLAVOS BY REQUEST. HAMMERED COPPER MATERIAL IS THINNER THAN 18 GAUGE MATERIAL. ATTACHMENTS ARE REQUIRED FOR LIP TREATMENT ON HAMMERED COPPER HOODS.  
\*\* ATTACHED WITH 1/2" RIVETS. CAN BE ATTACHED WITH LAMINATE BY REQUEST.

## CORNER BANDS

### CORNER BANDS FOR STRAIGHT EDGES\*

1" x 1", EACH (UP TO 30")	417
2" x 2", EACH (UP TO 30")	417
TALLER THAN 30", PER INCH PER BAND, ADD	13.87

### CORNER BANDS FOR CONVEX/CONCAVE EDGES\*

1" x 1", EACH (UP TO 30")	833
2" x 2", EACH (UP TO 30")	833
TALLER THAN 30", PER INCH PER BAND, ADD	27.73

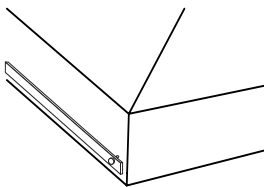
\* ATTACHED WITH LAMINATE. CAN BE ATTACHED WITH 1/4" RIVETS, 1/2" RIVETS, 3/8" HEX NUTS, 1/2" HEX NUTS, OR 3/4" PYRAMID CLAVOS BY REQUEST.

+1" x 1" ATTACHED WITH 1/4" RIVETS. 2" x 2" ATTACHED WITH 1/2" RIVETS. CAN BE ATTACHED WITH 3/8" HEX NUTS, 1/2" HEX NUTS, OR 3/4" PYRAMID CLAVOS BY REQUEST.

AVAILABLE IN PAINTED FINISHES OR STAINLESS STEEL ONLY.

ALL CORNER BANDS ARE 18 GAUGE.

## POT RAIL

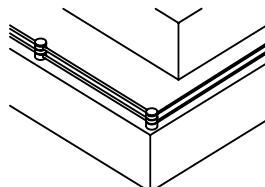


### POT RAIL

BRASS, CHROME, OR COPPER: PER INCH*	12.48
ADDITIONAL HOOKS AVAILABLE IN SS, COPPER, OR BRASS P011: EACH	11.09

\* For pot rail that is less than the overall width or depth of the hood, charge for full width or depth. Examples- A 24" deep hood with 3" of pot rail on a side is priced as 24" of pot rail. A 48" wide hood with 36" of pot rail on the front is priced as 48" of pot rail.

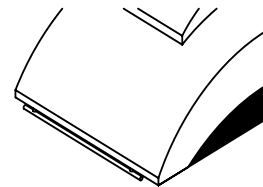
## GALLEY RAIL



### GALLEY RAIL

STAINLESS STEEL: PER INCH	9.38
------------------------------	------

## FIXED RAIL



### FIXED LENGTH SS RAIL (EACH)

PR21 SS (19.53")	140
PR24 SS (22.05")	161
PR27 SS (24.57")	174
PR30 SS (28.35")	210

## COLORS

### STANDARD

Biscuit (BT)  
Black Carbide (BC)  
Black Satin (BL)  
Gunsmoke (GS)  
White (WH)

### SPECIAL

Black River (BR)  
Copper Vein (CV)  
Oil Rubbed Bronze (ORB)  
Pewter (PTR)  
Rust (RT)  
Silver Vein (SV)  
Slate (SL)

### CUSTOM

RAL Paint Colors  
A custom color chart  
is available for  
custom colors.

### ANTIQUÉ, SATIN, BRUSHED

Can be applied to:  
Brass/Copper Overlays

### ARTISAN

Can be applied to:  
Stainless Steel

Charge for *each* hood  
or duct cover.

### ANTIQUÉ, BRUSHED, SATIN TRIM

Brass Bands & L/T  
Copper Bands & L/T

### ARTISAN TRIM

SS Bands & L/T

Charge once for all  
trim on a hood and  
duct cover assembly.

Color Charges: ADD NO CHARGE

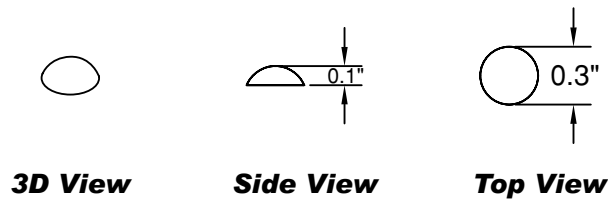
324

863

1,173

324

## 1/4" RIVETS

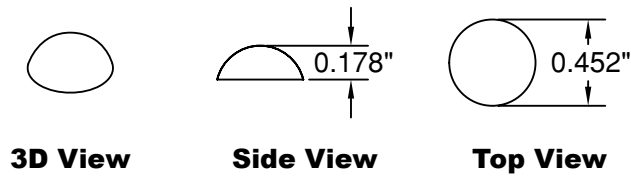


1/4" RIVETS ARE STANDARD ON 1" x 1" CONVEX/ CONCAVE CORNER BANDS.

1/4" RIVETS ARE OPTIONAL ON 18 GA. LIP TREATMENT, 18 GA. VERTICAL BANDS, AND STRAIGHT CORNER BANDS. ADDITIONAL CHARGES MAY APPLY.

1/4" RIVETS ARE AVAILABLE IN ALL BAND FINISHES (PAINTED TO MATCH).

## 1/2" RIVETS

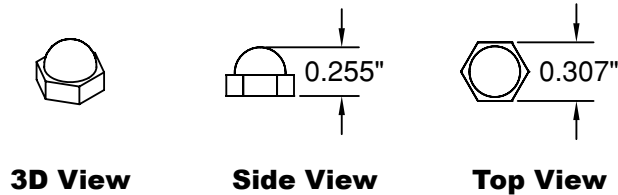


1/2" RIVETS ARE STANDARD ON 2" x 2" CONVEX/ CONCAVE CORNER BANDS AND ON HEAVY VERTICAL BANDS AND LIP TREATMENT.

1/2" RIVETS ARE OPTIONAL ON 18 GA. LIP TREATMENT, 18 GA. VERTICAL BANDS, AND STRAIGHT CORNER BANDS. ADDITIONAL CHARGES MAY APPLY.

1/2" RIVETS ARE AVAILABLE IN ALL BAND FINISHES (PAINTED TO MATCH).

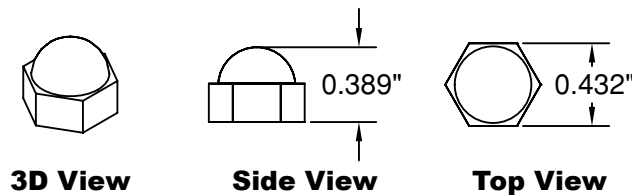
## 3/8" HEX NUTS



3/8" HEX NUTS ARE OPTIONAL ON 18 GA. LIP TREATMENT, 18 GA. VERTICAL BANDS, AND CORNER BANDS. ADDITIONAL CHARGES MAY APPLY.

3/8" HEX NUTS ARE AVAILABLE IN ALL BAND FINISHES (BRASS, STAINLESS STEEL, OR PAINTED TO MATCH).

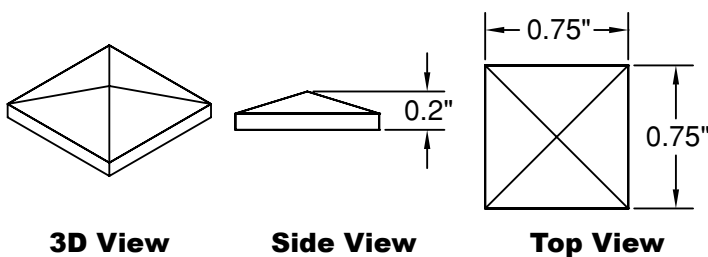
## 1/2" HEX NUTS



1/2" HEX NUTS ARE OPTIONAL ON 18 GA. LIP TREATMENT, 18 GA. VERTICAL BANDS, AND CORNER BANDS. ADDITIONAL CHARGES MAY APPLY.

1/2" HEX NUTS ARE AVAILABLE IN ALL BAND FINISHES (BRASS, STAINLESS STEEL, OR PAINTED TO MATCH).

## 3/4" PYRAMID CLAVOS



3/4" PYRAMID CLAVOS ARE OPTIONAL ON 18 GA. LIP TREATMENT, 18 GA. VERTICAL BANDS, AND CORNER BANDS. ADDITIONAL CHARGES MAY APPLY.

3/4" PYRAMID CLAVOS ARE AVAILABLE IN COPPER AND STAINLESS STEEL FINISHES.

3/4" PYRAMID CLAVOS CAN BE ROTATED 45 DEGREES FOR A MORE DECORATIVE APPEARANCE. NOTE: 3/4" PYRAMID CLAVOS ARE OVER 1" WIDE WHEN TURNED TO A 45 DEGREE "DIAMOND" ANGLE.

NOTE: SECTION TITLES ARE ROUNDED FOR CONVENIENCE PURPOSES AND DO NOT REPRESENT EXACT SIZES.

### STANDARD BAND & LIP TREATMENT ATTACHMENT METHODS

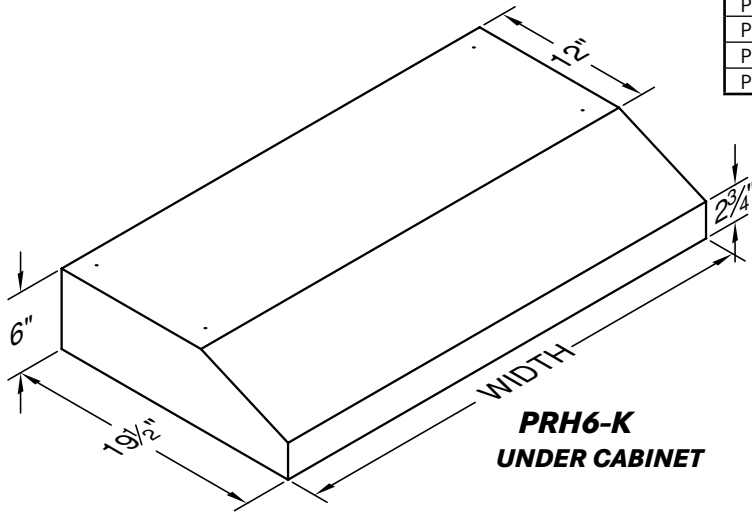
BAND/LIP TREATMENT	STANDARD ATTACHMENT	ADDITIONAL ATTACHMENT OPTIONS
18 Ga. Vertical Band/Lip Treatment	Laminate	1/4" Rivets, 1/2 Rivets, 3/8" Hex Nuts, 1/2" Hex Nuts, and 3/4" Pyramid Clavos
1/8" x 1" Vertical Band/Lip Treatment	1/2" Rivets	Laminate
1/4" x 1" Vertical Band/Lip Treatment	1/2" Rivets	Laminate
Straight Corner Band	Laminate	1/4" Rivets, 1/2" Rivets, 3/8" Hex Nuts, 1/2" Hex Nuts, and 3/4" Pyramid Clavos
Convex or Concave Corner Band	1" x 1" - 1/4" Rivets, 2" x 2" - 1/2" Rivets	1/2" Rivets, 3/8" Hex Nuts, 1/2" Hex Nuts, and 3/4" Pyramid Clavos

Decorative attachments will be placed by the factory for best appearance. To specify locations, add per inch 7.81

# V-LINE UNDER CABINET & LINER INSERT

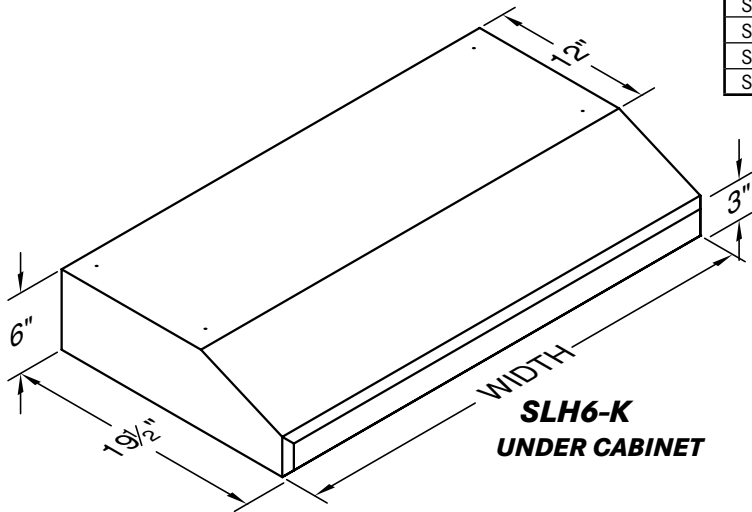
REC. MOUNTING HEIGHT FROM  
COOKING SURFACE: 21"-24"

OPTIONAL TRANSITION TO 7" ROUND: VP521



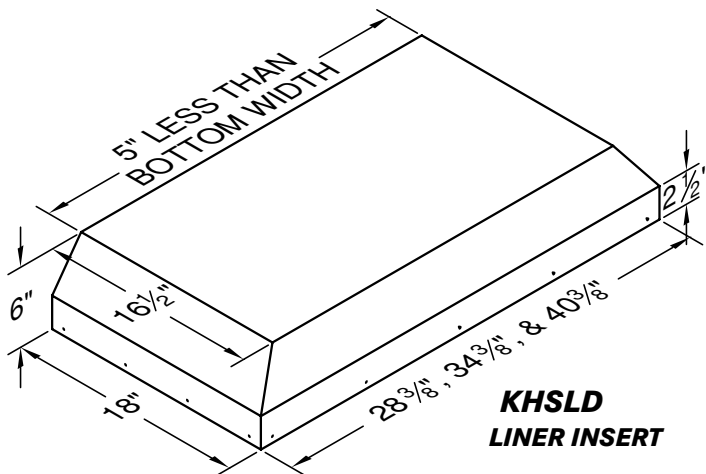
**PRH6-K**

Model No.	CFM	Width	Painted	Stainless	# Lts
PRH6-K24	250	24"	623	749	2
PRH6-K30		30"	623	749	2
PRH6-K36		36"	623	749	2
PRH6-K42		42"	731	906	3



**SLH6-K**

Model No.	CFM	Width	Painted	Stainless	# Lts
SLH6-K24	250	24"	623	749	2
SLH6-K30		30"	623	749	2
SLH6-K36		36"	623	749	2
SLH6-K42		42"	731	906	3



**KHS LD**

Model No.	CFM	Width	Painted	Stainless	# Lts
KH28SLD	250	28 3/8"	499	550	2
KH34SLD		34 3/8"	499	550	2
KH40SLD		40 3/8"	550	705	2

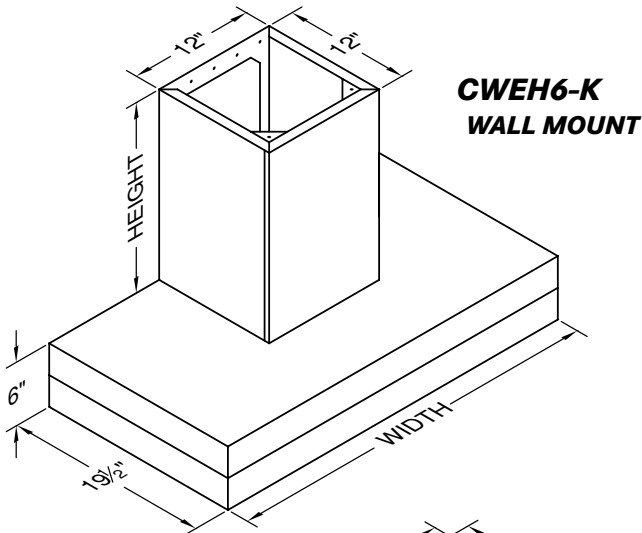
**OPTIONAL TRIM KITS**

Model No.	Width	Painted	Stainless
TKK28SLD	28-3/8"	25.00	25.00
TKK34SLD	34-3/8"	25.00	25.00
TKK40SLD	40-3/8"	26.00	26.00

# V-LINE CONTEMPORARY WALL MOUNT & ISLAND

REC. MOUNTING HEIGHT FROM COOKING SURFACE:  
CIEH6-K & GTH-K: 24", CIEH6-K: 30"

OPTIONAL TRANSITION TO 7" ROUND: VP521



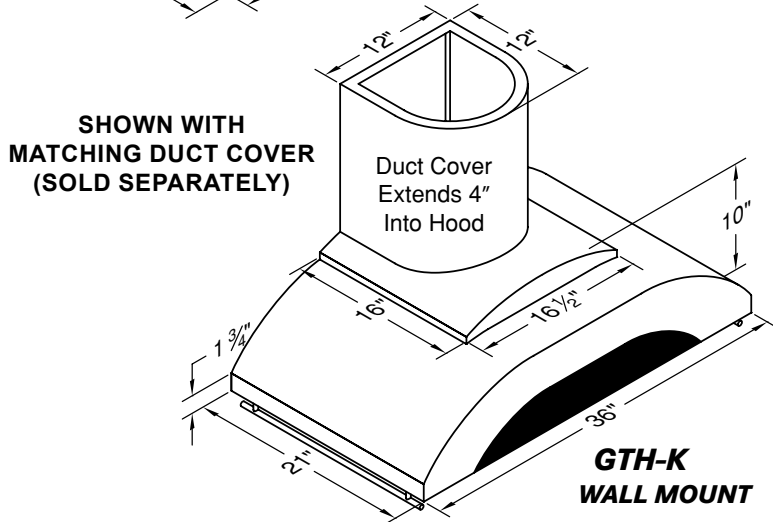
**CWEH6-K  
WALL MOUNT**

<b>CWEH6-K</b>					
Model No.	CFM	Width	Painted	Stainless	# Lts
CWEH6-K30	250	30"	1,121	1,424	2
CWEH6-K36		36"	1,121	1,424	2
CWEH6-K42		42"	1,309	1,666	3
CWEH6-K48		48"	1,373	1,730	3

### DUCT COVERS FOR CWEH6-K

Model No.	Width	Height	Painted	Stainless	Ceiling
W6DCRND-12/18	12"	18"	527	594	7'
W6DCRND-12/30		30"	600	711	8'
W6DCRND-12/42		42"	672	829	9'
CUSTOM	WIDTH X HEIGHT X PLUS		0.57	0.92	473
FINISHED TOP	WIDTH X DEPTH X PLUS		0.57	0.92	276
SLOPED TOP •	ADD		473		

CEILING BASED ON REC. MAXIMUM HOOD MOUNTING HEIGHT.  
• SPECIFY FRONT TO BACK OR LEFT TO RIGHT DIMENSIONS.



SHOWN WITH  
MATCHING DUCT COVER  
(SOLD SEPARATELY)

Duct Cover  
Extends 4"  
Into Hood

**GTH-K  
WALL MOUNT**

<b>GTH-K</b>				
Model No.	CFM	Width	Stainless	# Lts
GTH-K36	250	36"	1,373	2

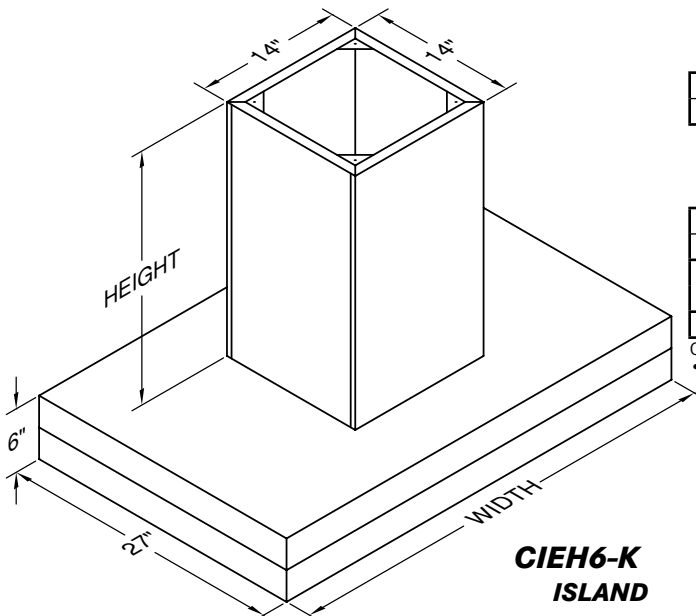
### DUCT COVERS FOR GTH-K

Model No.	Width	Height	Stainless	Ceiling
WGDC-12/18	12"	18"	640	7'
WGDC-12/30		30"	770	8'
WGDC-12/42		42"	901	9'
CUSTOM	WIDTH X HEIGHT X PLUS		0.92	473

CEILING BASED ON REC. MAXIMUM HOOD MOUNTING HEIGHT.

### GTH-K VARIATIONS

REMOVE FIXED LENGTH SS RAIL	
ADD	276



**CIEH6-K  
ISLAND**

<b>CIEH6-K</b>					
Model No.	CFM	Width	Painted	Stainless	# Lts
CIEH6-K36	250	36"	1,848	2,737	4
CIEH6-K42		42"	1,947	2,886	4

### DUCT COVERS FOR CIEH6-K

Model No.	Width	Height	Painted	Stainless	Ceiling
IDCRND-14/24	12"	24"	656	733	9'
IDCRND-14/36		36"	770	887	10'
CUSTOM	WIDTH X HEIGHT X PLUS		0.76	1.02	473
SLOPED TOP •	ADD		473		

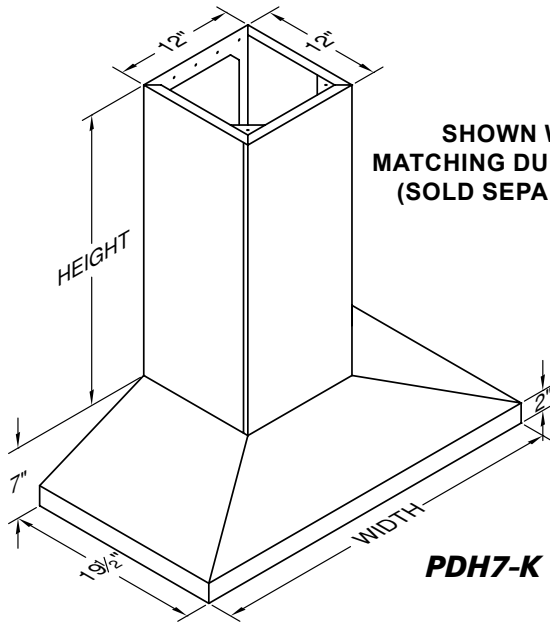
CEILING BASED ON REC. MAXIMUM HOOD MOUNTING HEIGHT.  
• SPECIFY FRONT TO BACK OR LEFT TO RIGHT DIMENSIONS.

SHOWN WITH  
MATCHING DUCT COVER  
(SOLD SEPARATELY)

# V-LINE EURO-STYLE WALL MOUNT

REC. MOUNTING HEIGHT FROM COOKING SURFACE: 24"

PDH7-K OPTIONAL TRANSITION TO 7" ROUND: VP521  
PDH14-K: TRANSITION TO 7" ROUND INCLUDED



SHOWN WITH MATCHING DUCT COVER (SOLD SEPARATELY)

**PDH7-K**

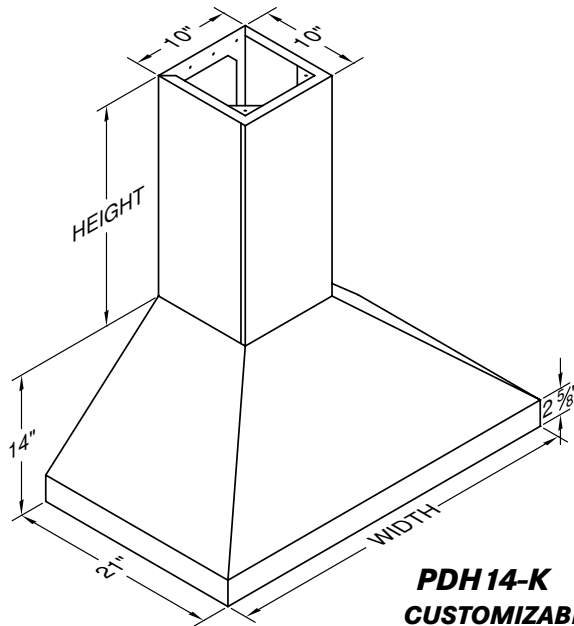
### PDH7-K

Model No.	CFM	Width	Painted	Stainless	# Lts
PDH7-K30	250	30"	1,121	1,424	2
PDH7-K36		36"	1,121	1,424	2

### DUCT COVERS FOR PDH7-K

Model No.	Width	Height	Painted	Stainless	Ceiling
W7DCRND-12/17	12"	17"	523	582	7'
W7DCRND-12/29		29"	598	699	8'
W7DCRND-12/41		41"	670	816	9'
CUSTOM	WIDTH X HEIGHT X PLUS		0.57	0.92	
			473		
FINISHED TOP	WIDTH X DEPTH X PLUS		0.57	0.92	
			276		
SLOPED TOP •	ADD		473		

CEILING BASED ON REC. MAXIMUM HOOD MOUNTING HEIGHT.  
• SPECIFY FRONT TO BACK OR LEFT TO RIGHT DIMENSIONS.



**PDH14-K CUSTOMIZABLE!**

Model No.	CFM	Width	Painted	Stainless	Overlay •	# Lts
PDH14-K30	250	30"	1,234	1,706	2,453	2
PDH14-K36		36"	1,259	1,745	2,545	2
PDH14-K42		42"	1,325	1,873	2,781	3
PDH14-K48		48"	1,386	1,942	2,926	3

• FOR OVERLAY HOODS, SPECIFY INTERIOR COLOR.  
VP521 TRANSITION TO 7" ROUND INCLUDED.

### DUCT COVERS FOR PDH14-K

Model No.	Width	Height	Painted	Stainless	Overlay	Ceiling
WDCRND-10/10	10"	10"	459	499	539	7'
WDCRND-10/22		22"	526	594	689	8'
WDCRND-10/34		34"	594	689	836	9'
CUSTOM	WIDTH X HEIGHT X PLUS		0.57	0.92	1.44	
			473			
FINISHED TOP	WIDTH X DEPTH X PLUS		0.49	0.79	1.23	
			237			
SLOPED TOP •	ADD		405			

CEILING BASED ON REC. MAXIMUM HOOD MOUNTING HEIGHT.  
• SPECIFY FRONT TO BACK OR LEFT TO RIGHT DIMENSIONS.

SHOWN WITH MATCHING DUCT COVER (SOLD SEPARATELY)

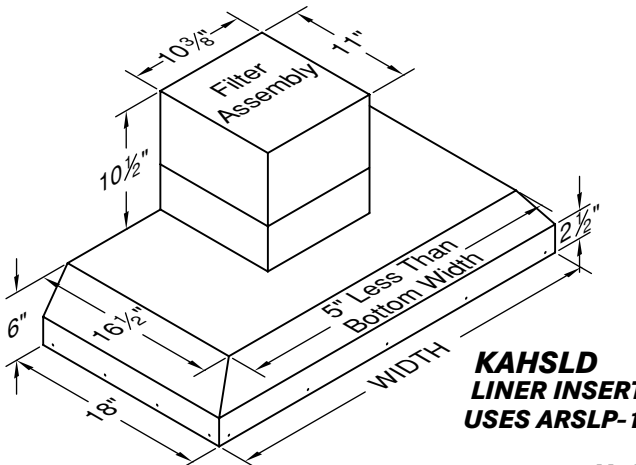
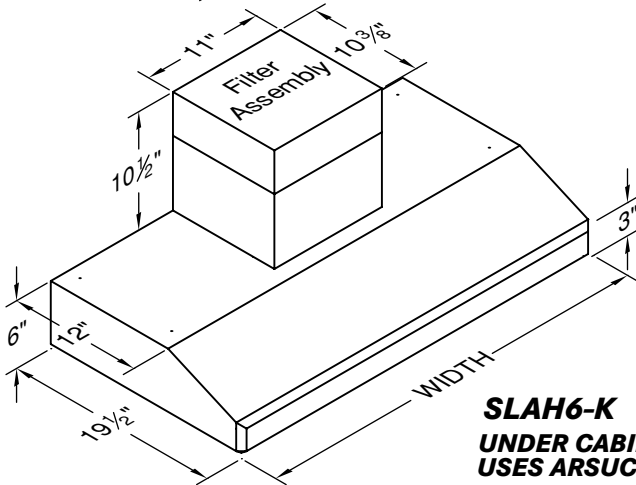
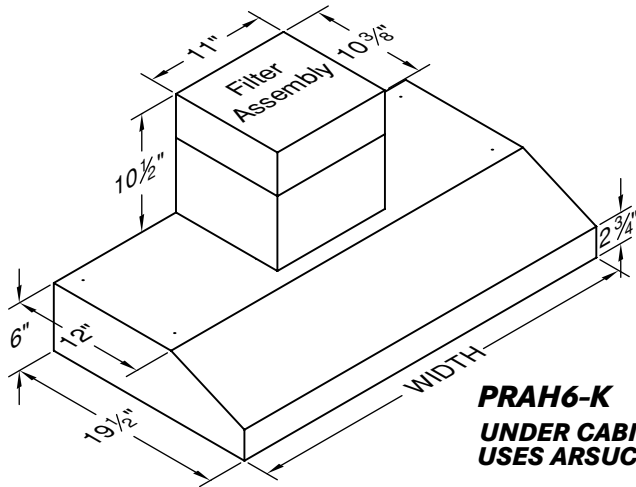
### PDH14-K EURO-STYLE WALL MOUNT HOOD VARIATIONS

<b>SPECIAL WIDTH (LESS THAN 48")</b>			<b>STAINLESS STEEL INTERIOR ON OVERLAY HOOD</b>		
USE NEXT LARGEST SIZE ON PRICE LIST, PLUS			SUBTRACT PAINTED HOOD PRICE FROM STAINLESS HOOD PRICE		
276			<b>CUSTOM COLOR (SEE CUSTOM COLOR CHART)</b>		
<b>DEPTH OVER 21"</b>			ADD 863		
WIDTH X EXTRA DEPTH X PLUS	PAINTED 1.37	STAINLESS 2.01	OVERLAY 2.73	<b>TRIM OPTIONS</b>	
SEE PAGES 54-55 FOR FINISH AND TRIM OPTIONS					

# ARS DUCT FREE UNDER CABINET & LINER INSERT

REC. MOUNTING HEIGHT FROM COOKING SURFACE: 21"-24"

ARS FILTER KIT REQUIRED (SOLD SEPARATELY)



## PRAH6-K

Model No.	ARS Kit •	Width	Painted	Stainless	# Lts
PRAH6-K24	ARSUC-12/10	24"	635	763	2
PRAH6-K30		30"	635	763	2
PRAH6-K36		36"	635	763	2
PRAH6-K42		42"	745	923	3

•ARS KIT IS REQUIRED FOR INSTALLATION, SOLD SEPARATELY.

## SLAH6-K

Model No.	ARS Kit •	Width	Painted	Stainless	# Lts
SLAH6-K24	ARSUC-12/10	24"	635	763	2
SLAH6-K30		30"	635	763	2
SLAH6-K36		36"	635	763	2
SLAH6-K42		42"	745	923	3

•ARS KIT IS REQUIRED FOR INSTALLATION, SOLD SEPARATELY.

## KAHS LD

Model No.	ARS Kit •	Width	Painted	Stainless	# Lts
KAH28SLD	ARSLP-12/10	28 3/8"	499	550	2
KAH34SLD		34 3/8"	499	550	2
KAH40SLD		40 3/8"	599	705	2

•ARS KIT IS REQUIRED FOR INSTALLATION, SOLD SEPARATELY.

## OPTIONAL TRIM KITS

Model No.	Width	Painted	Stainless
TKK28SLD	28-3/8"	25.00	25.00
TKK34SLD	34-3/8"	25.00	25.00
TKK40SLD	40-3/8"	26.00	26.00

## ARS FILTER KITS

Model No.	Description	Price
ARSLP-12/10	ARS Filter Assembly - Low Profile (Replaces ARSLP-12)	308
ARSUC-12/10	ARS Filter Assembly - Under Cabinet (Replaces ARSUC-12)	308

## ARS FILTER REPLACEMENT PARTS

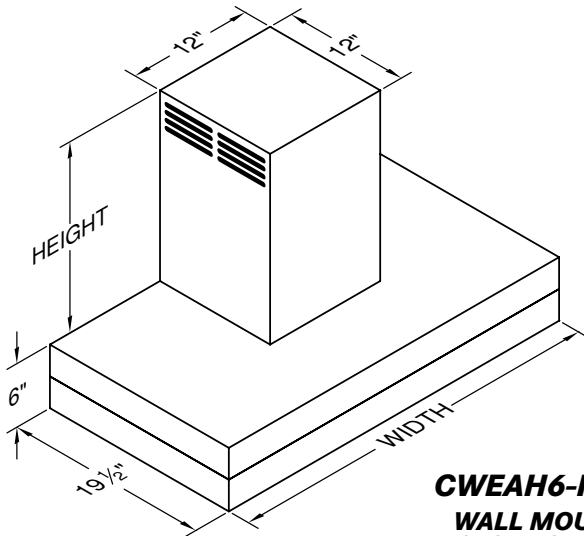
Model No.	Description	Price
PARS-12/10	H.E. Filter Assembly (Replaces PARS-12)	233
PARS-C	Replacement Activated Carbon Pellets	74

THE H.E. FILTER ASSEMBLY AND ACTIVATED CARBON MEDIA SHOULD BE CHANGED AS NEEDED BASED ON USAGE.

# ARS DUCT FREE CONTEMPORARY WALL MOUNT & ISLAND

**REC. MOUNTING HEIGHT FROM COOKING SURFACE:**  
**CWEAH6-K: 21"-24", CIEAH6-K: 30"**

**ARS FILTER KIT REQUIRED**  
**(SOLD SEPARATELY)**



**CWEAH6-K**  
**WALL MOUNT**  
**USES ARS-12/10**

### CWEAH6-K

Model No.	ARS Kit •	Width	Painted	Stainless	# Lts
CWEAH6-K30	ARS-12/10	30"	1,042	1,319	2
CWEAH6-K36		36"	1,042	1,319	2
CWEAH6-K42		42"	1,207	1,540	3
CWEAH6-K48		48"	1,264	1,580	3

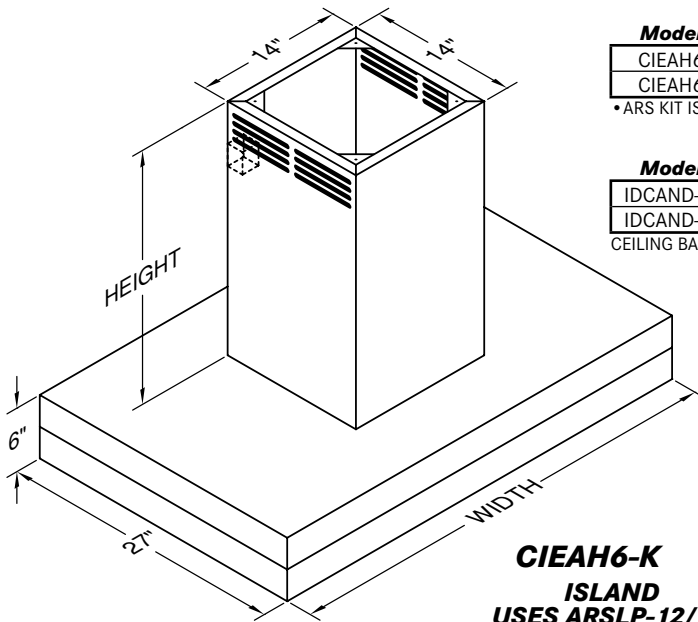
\*ARS KIT IS REQUIRED FOR INSTALLATION, SOLD SEPARATELY.

### DUCT COVERS FOR CWEAH6-K

Model No.	Width	Height	Painted	Stainless	Ceiling
W6DCAND-12/18	12"	18"	689	741	7'
W6DCAND-12/30		30"	754	849	8'
W6DCAND-12/42		42"	822	944	9'

CEILING BASED ON REC. MAXIMUM HOOD MOUNTING HEIGHT.

**SHOWN WITH MATCHING DUCT COVER AND ARS-12/10 FILTER KIT (SOLD SEPARATELY)**



**CIEAH6-K**  
**ISLAND**  
**USES ARSLP-12/10**

### CIEAH6-K

Model No.	ARS Kit •	Width	Painted	Stainless	# Lts
CIEAH6-K36	ARSLP-12/10	36"	1,884	2,511	4
CIEAH6-K42		42"	1,984	2,647	4

\*ARS KIT IS REQUIRED FOR INSTALLATION, SOLD SEPARATELY.

### DUCT COVERS FOR CIEAH6-K

Model No.	Width	Height	Painted	Stainless	Ceiling
IDCAND-14/24	14"	24"	797	876	8'
IDCAND-14/36		36"	912	1,029	9'

CEILING BASED ON REC. MAXIMUM HOOD MOUNTING HEIGHT.

**SHOWN WITH MATCHING DUCT COVER AND ARSLP-12 FILTER KIT (SOLD SEPARATELY)**

### ARS FILTER KITS

Model No.	Description	Price
ARS-12/10	ARS Filter Assembly for CWEAH6-K (Replaces ARS-12)	490
ARSLP-12/10	ARS Filter Assembly - Low Profile (Replaces ARSLP-12)	308

### ARS FILTER REPLACEMENT PARTS

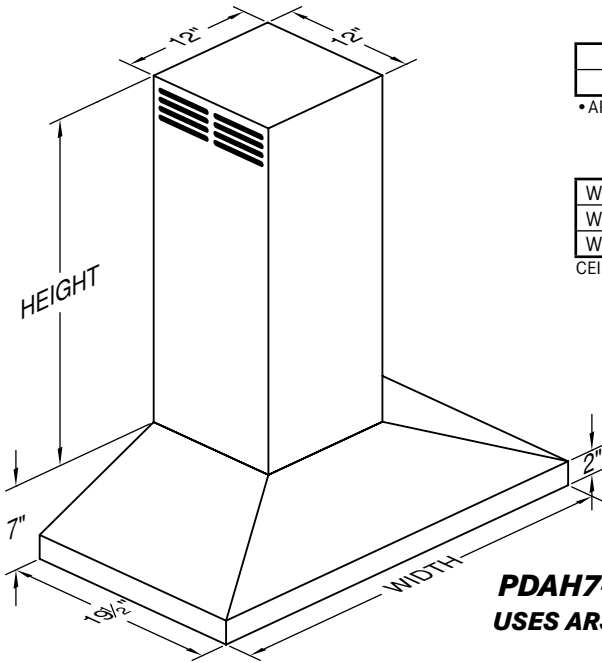
Model No.	Description	Price
PARS-12/10	H.E. Filter Assembly (Replaces PARS-12)	233
PARS-C	Replacement Activated Carbon Pellets	74

THE H.E. FILTER ASSEMBLY AND ACTIVATED CARBON MEDIA SHOULD BE CHANGED AS NEEDED BASED ON USAGE.

# ARS DUCT FREE EURO-STYLE WALL MOUNT

REC. MOUNTING HEIGHT FROM COOKING SURFACE: 24"

ARS FILTER KIT REQUIRED (SOLD SEPARATELY)



**PDAH7-K**  
USES ARSLP-12

### PDAH7-K

Model No.	ARS Kit •	Width	Painted	Stainless	# Lts
PDAH7-K30	ARSLP-12/10	30"	1,185	1,506	2
PDAH7-K36		36"	1,185	1,506	2

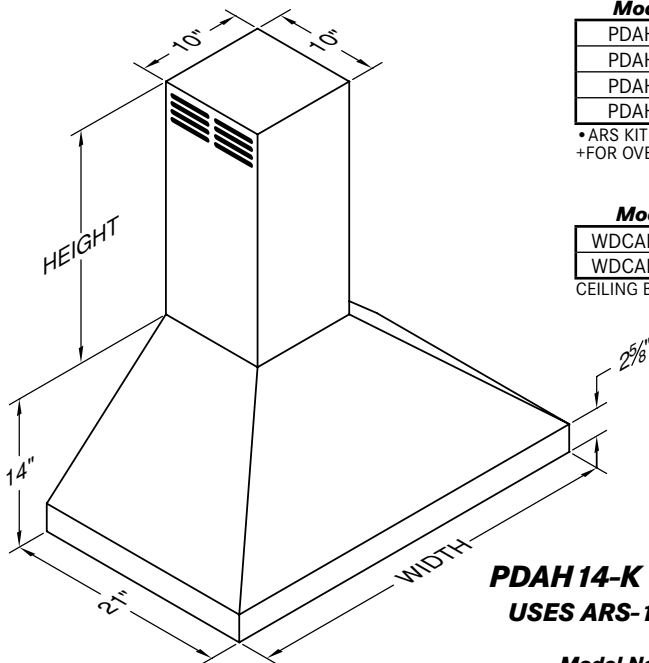
\*ARS KIT IS REQUIRED FOR INSTALLATION, SOLD SEPARATELY.

### DUCT COVERS FOR PDAH7-K

Model No.	Width	Height	Painted	Stainless	Ceiling
W7DCAND-12/17	12"	17"	682	733	7'
W7DCAND-12/29		29"	749	841	8'
W7DCAND-12/41		41"	817	935	9'

CEILING BASED ON REC. MAXIMUM HOOD MOUNTING HEIGHT.

SHOWN WITH MATCHING DUCT COVER AND ARSLP-12/10 FILTER KIT (SOLD SEPARATELY)



**PDAH14-K**  
USES ARS-10

### PDAH14-K

Model No.	ARS Kit •	Width	Painted	Stainless	Overlay+	# Lts
PDAH14-K30	ARS-10	30"	1,305	1,803	2,593	2
PDAH14-K36		36"	1,331	1,844	2,690	2
PDAH14-K42		42"	1,400	1,980	2,940	3
PDAH14-K48		48"	1,466	2,053	3,093	3

\*ARS KIT IS REQUIRED FOR INSTALLATION, SOLD SEPARATELY.  
+FOR OVERLAY HOODS, SPECIFY INTERIOR COLOR.

### DUCT COVERS FOR PDAH14-K

Model No	Width	Height	Painted	Stainless	Overlay	Ceiling
WDCAND-10/22	10"	22"	689	754	836	8'
WDCAND-10/34		34"	741	836	972	9'

CEILING BASED ON REC. MAXIMUM HOOD MOUNTING HEIGHT.

SHOWN WITH MATCHING DUCT COVER AND ARS FILTER KIT (SOLD SEPARATELY)

### ARS FILTER KITS

Model No.	Description	Price
ARS-10	ARS Filter Assembly for PDAH14-K	490
ARSLP-12/10	ARS Filter Assembly - Low Profile (Replaces ARSLP-12)	308

### ARS FILTER REPLACEMENT PARTS

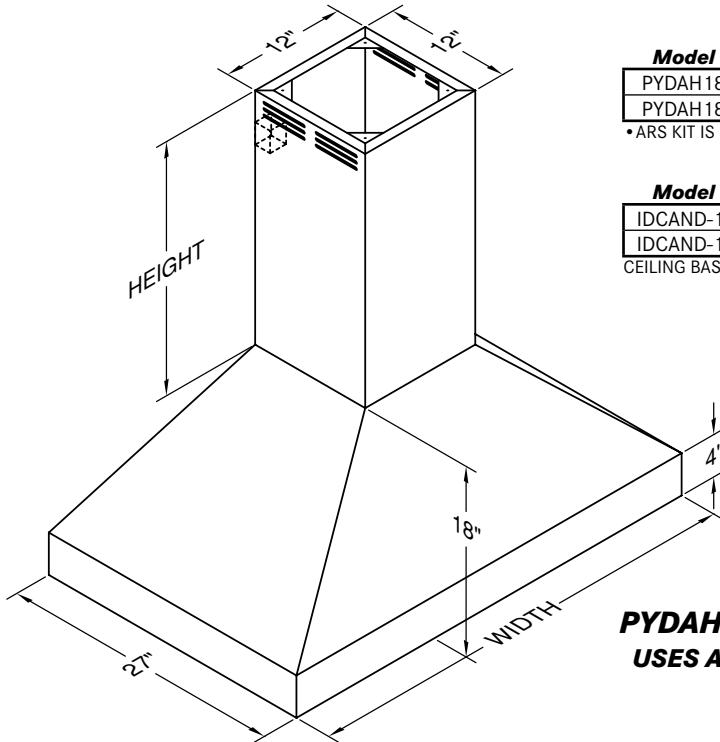
Model No.	Description	Price
PARS-12/10	H.E. Filter Assembly (Replaces PARS-12)	233
PARS-C	Replacement Activated Carbon Pellets	74

THE H.E. FILTER ASSEMBLY AND ACTIVATED CARBON MEDIA SHOULD BE CHANGED AS NEEDED BASED ON USAGE.

# ARS DUCT FREE EURO-STYLE ISLAND

REC. MOUNTING HEIGHT FROM COOKING SURFACE: 30"

ARS FILTER KIT REQUIRED (SOLD SEPARATELY)



**PYDAH 18-K**  
USES ARSLP-12

### PYDAH 18-K

Model No.	ARS Kit •	Width	Painted	Stainless	# Lts
PYDAH 18-K36	ARSLP-12/10	36"	3,106	4,227	4
PYDAH 18-K42		42"	3,239	4,405	4

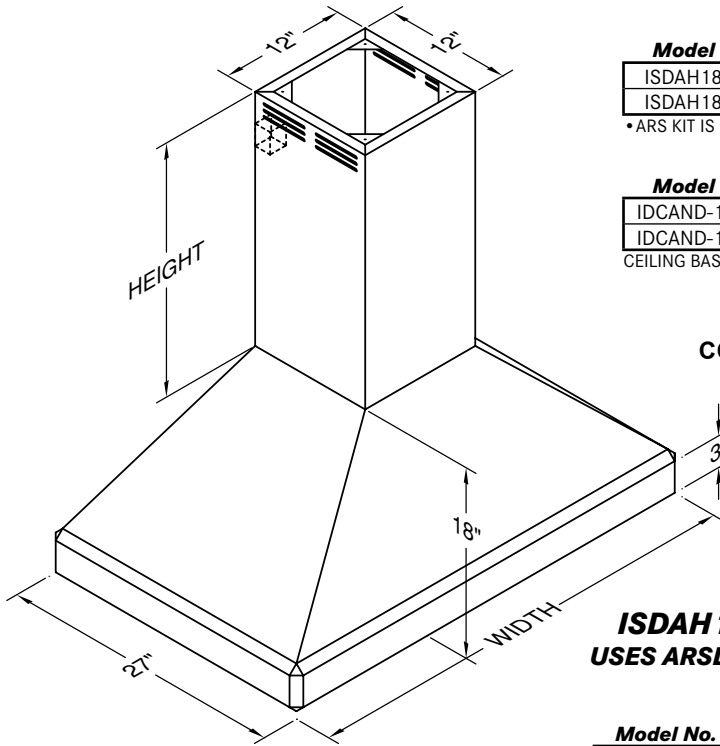
• ARS KIT IS REQUIRED FOR INSTALLATION, SOLD SEPARATELY.

### DUCT COVERS FOR PYDAH 18-K

Model No.	Width	Height	Painted	Stainless	Ceiling
IDCAND-12/24	12"	24"	769	866	9'
IDCAND-12/36		36"	838	962	10'

CEILING BASED ON REC. MAXIMUM HOOD MOUNTING HEIGHT.

SHOWN WITH MATCHING DUCT COVER AND ARSLP-12/10 FILTER KIT (SOLD SEPARATELY)



**ISDAH 18-K**  
USES ARSLP-12/10

### ISDAH 18-K

Model No.	ARS Kit •	Width	Painted	Stainless	# Lts
ISDAH 18-K36	ARSLP-12/10	36"	3,679	4,832	4
ISDAH 18-K42		42"	3,810	5,010	4

• ARS KIT IS REQUIRED FOR INSTALLATION, SOLD SEPARATELY.

### DUCT COVERS FOR ISDAH 18-K

Model No.	Width	Height	Painted	Stainless	Ceiling
IDCAND-12/24	12"	24"	769	866	9'
IDCAND-12/36		36"	838	962	10'

CEILING BASED ON REC. MAXIMUM HOOD MOUNTING HEIGHT.

SHOWN WITH MATCHING DUCT COVER AND ARSLP-12/10 FILTER KIT (SOLD SEPARATELY)

### ARS FILTER KITS

Model No.	Description	Price
ARSLP-12/10	ARS Filter Assembly - Low Profile (Replaces ARSLP-12)	308

### ARS FILTER REPLACEMENT PARTS

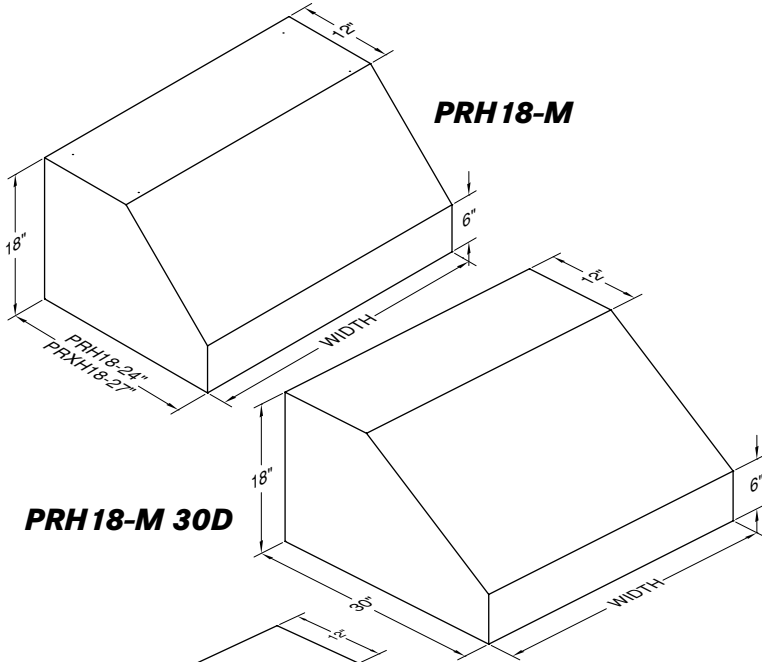
Model No.	Description	Price
PARS-12/10	H.E. Filter Assembly (Replaces PARS-12)	233
PARS-C	Replacement Activated Carbon Pellets	74

THE H.E. FILTER ASSEMBLY AND ACTIVATED CARBON MEDIA SHOULD BE CHANGED AS NEEDED BASED ON USAGE.

# M SERIES WALL MOUNT

REC. MOUNTING HEIGHT FROM COOKING SURFACE: 30"

BLOWER ASSEMBLY REQUIRED (SOLD SEPARATELY)



## PRH18-M/PRXH18-M

Model No.	Width	Price	# Lts	Filters
PRH18-M30 SS	30"	1,374	2	2
PRH18-M36 SS	36"	1,398	2	2
PRH18-M42 SS	42"	1,511	2	2
PRH18-M48 SS	48"	1,595	3	3
PRH18-M54 SS	54"	1,950	4	3
PRH18-M60 SS	60"	2,117	4	4
PRH18-M66 SS	66"	2,261	4	4

FOR 27" DEEP MODEL, ORDER PRXH18-M (NO ADDITIONAL COST) BLOWER SOLD SEPARATELY STAINLESS STEEL BAFFLE FILTERS AND GU10 LIGHTING INCLUDED.

## PRH18-M 30"D

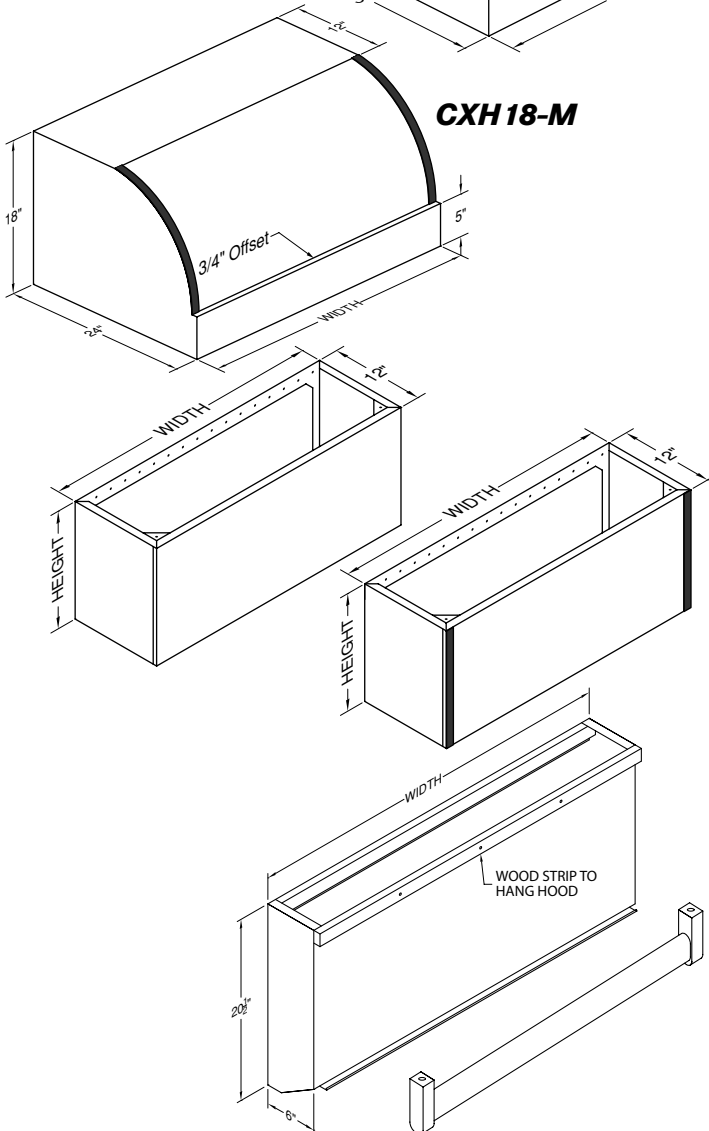
Model No.	Width	Price	# Lts	Filters
PRH18-M36x30 SS	36"	2,067	2	2
PRH18-M42x30 SS	42"	2,274	2	2
PRH18-M48x30 SS	48"	2,429	3	3
PRH18-M54x30 SS	54"	2,862	4	3

BLOWER SOLD SEPARATELY STAINLESS STEEL BAFFLE FILTERS AND GU10 LIGHTING INCLUDED.

## CXH18-M

Model No.	Width	Price	# Lts	Filters
CXH18-M30 SS	30"	1,756	2	2
CXH18-M36 SS	36"	1,780	2	2
CXH18-M42 SS	42"	1,900	2	2
CXH18-M48 SS	48"	2,043	3	3
CXH18-M54 SS	54"	2,362	4	3
CXH18-M60 SS	60"	2,541	4	4
CXH18-M66 SS	66"	2,765	4	4

BLOWER SOLD SEPARATELY STAINLESS STEEL BAFFLE FILTERS AND GU10 LIGHTING INCLUDED. 1" STAINLESS STEEL BANDS INCLUDED.



## WALL MOUNT DUCT COVER OPTIONS

Model No.	Width	Height	Price	Ceiling
WDCM-30 SS	30"	12"	535	8'
WDCM-30/24 SS		24"	757	9'
WDCM-30/36 SS		36"	980	10'
WDCM-36 SS	36"	12"	579	8'
WDCM-36/24 SS		24"	846	9'
WDCM-36/36 SS		36"	1,110	10'
WDCM-42 SS	42"	12"	625	8'
WDCM-42/24 SS		24"	936	9'
WDCM-42/36 SS		36"	1,244	10'
WDCM-48 SS	48"	12"	668	8'
WDCM-48/24 SS		24"	1,023	9'
WDCM-48/36 SS		36"	1,377	10'
WDCM-54 SS	54"	12"	713	8'
WDCM-60 SS	60"	12"	757	8'
WDCM-66 SS	66"	12"	802	8'

USE XDCM MODEL NUMBER PREFIX FOR CXH18-M HOODS. 1" STAINLESS STEEL BANDS INCLUDED ON XDCM MODELS. CEILING BASED ON REC. MAXIMUM HOOD MOUNTING HEIGHT.

## M SERIES BBQ EXTENSION

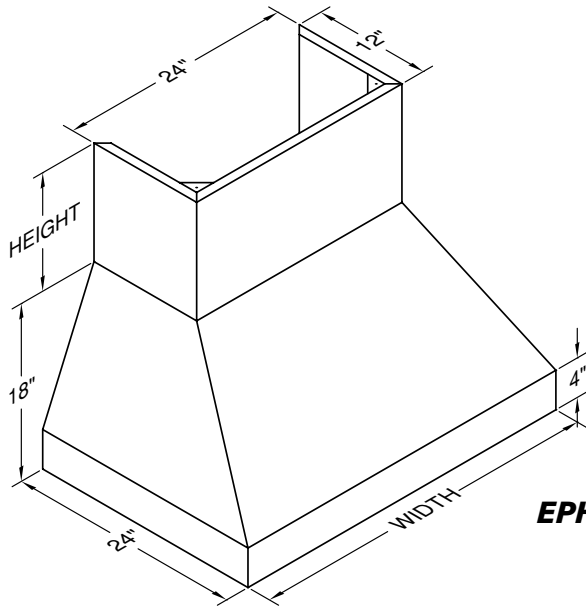
Model No.	Width	Price	WR Rail	Price
BBE-M30 SS	30"	523	WR-M30	109
BBE-M36 SS	36"	615	WR-M36	122
BBE-M42 SS	42"	674	WR-M42	122
BBE-M48 SS	48"	721	WR-M48	129
BBE-M54 SS	54"	773	WR-M54	129
BBE-M60 SS	60"	825	WR-M60	129

WR RAIL SOLD SEPARATELY FOR USE ON CXH18-M, PRH18-M, AND PRXH18-M

# M SERIES EURO-STYLE WALL MOUNT

REC. MOUNTING HEIGHT FROM  
COOKING SURFACE: 30"

BLOWER ASSEMBLY REQUIRED  
(SOLD SEPARATELY)



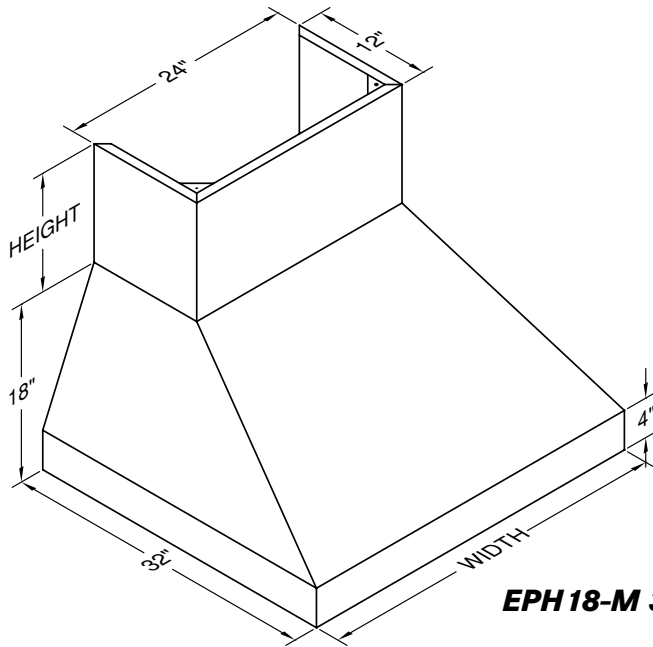
**EPH 18-M**

**EPH 18-M**

Model No.	Width	Price	# Lts	Filters
EPH 18-M36 SS	36"	1,794	2	2
EPH 18-M42 SS	42"	1,965	2	2
EPH 18-M48 SS	48"	2,088	3	3

BLOWER SOLD SEPARATELY  
STAINLESS STEEL BAFFLE FILTERS AND GU10 LIGHTING INCLUDED.

SHOWN WITH  
MATCHING DUCT COVER  
(SOLD SEPARATELY)



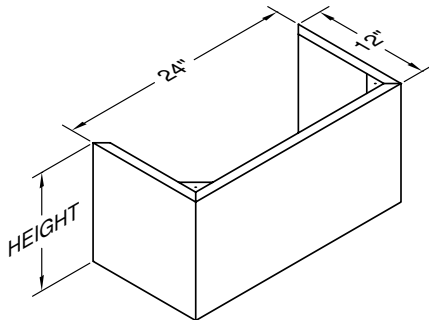
**EPH 18-M 32D**

**EPH 18-M 32"D**

Model No.	Width	Price	# Lts	Filters
EPH 18-M36X32 SS	36"	2,635	2	2
EPH 18-M42X32 SS	42"	2,876	2	2
EPH 18-M48X32 SS	48"	3,065	3	3

BLOWER SOLD SEPARATELY  
STAINLESS STEEL BAFFLE FILTERS AND GU10 LIGHTING INCLUDED.

SHOWN WITH  
MATCHING DUCT COVER  
(SOLD SEPARATELY)



**EURO WALL MOUNT DUCT COVERS**

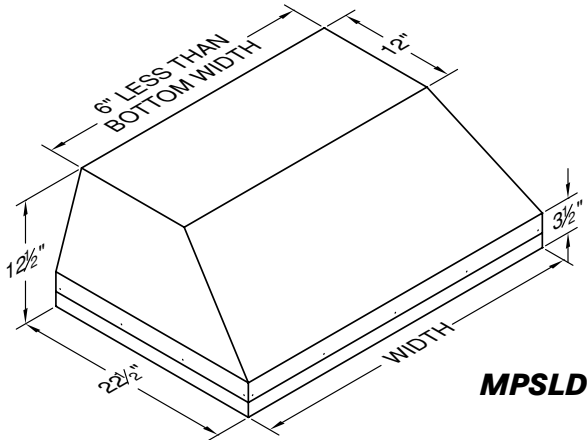
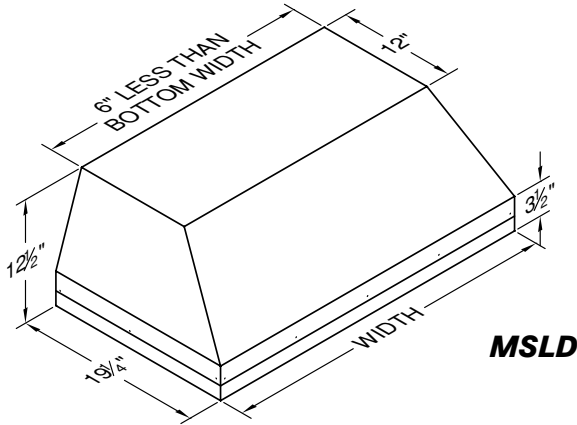
Model No.	Width	Height	Price	Ceiling
WDCM-24/12 SS	24"	12"	672	8'
WDCM-24/24 SS		24"	952	9'
WDCM-24/36 SS		36"	1,143	10'

CEILING BASED ON REC. MAXIMUM HOOD MOUNTING HEIGHT.

# M SERIES WALL MOUNT LINER INSERTS & BLOWERS

**REC. MOUNTING HEIGHT FROM COOKING SURFACE:**  
**MSLD: 24"-27", MPLSD: 27"-30"**

**BLOWER ASSEMBLY REQUIRED**  
**(SOLD SEPARATELY)**



### MSLD

Model No.	Width	Price	# Lts	Filters
M28SLD SS	28 3/8"	713	2	2
M34SLD SS	34 3/8"	713	2	2
M40SLD SS	40 3/8"	789	2	2
M46SLD SS	46 3/8"	978	3	3
M52SLD SS	52 3/8"	1,698	3	3
M58SLD SS	58 3/8"	1,798	4	4
M64SLD SS	64 3/8"	2,052	4	4

BLOWER SOLD SEPARATELY  
 STAINLESS STEEL BAFFLE FILTERS AND GU10 LIGHTING INCLUDED.

### MPLSD

Model No.	Width	Price	# Lts	Filters
M28PSLD SS	28 3/8"	713	2	2
M34PSLD SS	34 3/8"	713	2	2
M40PSLD SS	40 3/8"	789	2	2
M46PSLD SS	46 3/8"	978	3	3
M52PSLD SS	52 3/8"	1,698	3	3
M58PSLD SS	58 3/8"	1,798	4	4
M64PSLD SS	64 3/8"	2,052	4	4

BLOWER SOLD SEPARATELY  
 STAINLESS STEEL BAFFLE FILTERS AND GU10 LIGHTING INCLUDED.



**M600**



**M1200**

### BLOWER OPTIONS

Model No.	CFM+	Amps	Price	Incl. •	Duct Size
M600	630	5.0	473	N/A	6" Round
M1200	1035	10.0	910	VP566	10" Round
WHM300*	300	5.0	16	N/A	6" Round
WHM400*	400	5.0	16	N/A	6" Round

+ CFM RATING IS AT 0.0" STATIC PRESSURE  
 • VP566 TRANSITION IS PACKAGED SEPARATELY FROM M1200 BLOWER  
 \* WHM300 IS A HARNESS TO BE USED WITH THE M600 WHICH LIMITS TO 300 CFM  
 \* WHM400 IS A HARNESS TO BE USED WITH THE M600 WHICH LIMITS TO 400 CFM

## PRICES DO NOT INCLUDE SHIPPING & HANDLING CHARGES

<p><b>WALL LOUVER</b></p> <table border="1"> <thead> <tr> <th>MODEL</th> <th>DESCRIPTION</th> <th>PRICE</th> </tr> </thead> <tbody> <tr> <td>VP526</td> <td>6" Round</td> <td>\$65.17</td> </tr> <tr> <td>VP527</td> <td>7" Round</td> <td>\$65.17</td> </tr> <tr> <td>VP528</td> <td>8" Round</td> <td>\$65.17</td> </tr> </tbody> </table>	MODEL	DESCRIPTION	PRICE	VP526	6" Round	\$65.17	VP527	7" Round	\$65.17	VP528	8" Round	\$65.17	<p><b>WALL LOUVER</b></p> <table border="1"> <thead> <tr> <th>MODEL</th> <th>DESCRIPTION</th> <th>PRICE</th> </tr> </thead> <tbody> <tr> <td>VP554</td> <td>10" Round</td> <td>\$92.90</td> </tr> </tbody> </table>	MODEL	DESCRIPTION	PRICE	VP554	10" Round	\$92.90	<p><b>WALL LOUVER</b></p> <table border="1"> <thead> <tr> <th>MODEL</th> <th>DESCRIPTION</th> <th>PRICE</th> </tr> </thead> <tbody> <tr> <td>VP555</td> <td>12" Round</td> <td>\$92.90</td> </tr> </tbody> </table>	MODEL	DESCRIPTION	PRICE	VP555	12" Round	\$92.90	<p><b>RECTANGULAR WALL LOUVER</b></p> <table border="1"> <thead> <tr> <th>MODEL</th> <th>DESCRIPTION</th> <th>PRICE</th> </tr> </thead> <tbody> <tr> <td>VP538</td> <td>6" x 8-1/2"</td> <td>\$65.17</td> </tr> <tr> <td>VP560</td> <td>3-1/4" x 10"</td> <td>\$44.90</td> </tr> </tbody> </table>	MODEL	DESCRIPTION	PRICE	VP538	6" x 8-1/2"	\$65.17	VP560	3-1/4" x 10"	\$44.90									
MODEL	DESCRIPTION	PRICE																																											
VP526	6" Round	\$65.17																																											
VP527	7" Round	\$65.17																																											
VP528	8" Round	\$65.17																																											
MODEL	DESCRIPTION	PRICE																																											
VP554	10" Round	\$92.90																																											
MODEL	DESCRIPTION	PRICE																																											
VP555	12" Round	\$92.90																																											
MODEL	DESCRIPTION	PRICE																																											
VP538	6" x 8-1/2"	\$65.17																																											
VP560	3-1/4" x 10"	\$44.90																																											
<p><b>LOW PROFILE ROOF JACK (MAXIMUM 4/12 PITCH)</b></p> <table border="1"> <thead> <tr> <th>MODEL</th> <th>DESCRIPTION</th> <th>PRICE</th> </tr> </thead> <tbody> <tr> <td>VP539</td> <td>6" Round</td> <td>\$65.17</td> </tr> <tr> <td>VP540</td> <td>7" Round</td> <td>\$65.17</td> </tr> <tr> <td>VP541</td> <td>8" Round</td> <td>\$65.17</td> </tr> </tbody> </table>	MODEL	DESCRIPTION	PRICE	VP539	6" Round	\$65.17	VP540	7" Round	\$65.17	VP541	8" Round	\$65.17	<p><b>LOW PROFILE ROOF JACK (MAXIMUM 4/12 PITCH)</b></p> <table border="1"> <thead> <tr> <th>MODEL</th> <th>DESCRIPTION</th> <th>PRICE</th> </tr> </thead> <tbody> <tr> <td>VP552</td> <td>10" Round</td> <td>\$140.04</td> </tr> <tr> <td>VP553</td> <td>12" Round</td> <td>\$140.04</td> </tr> </tbody> </table>	MODEL	DESCRIPTION	PRICE	VP552	10" Round	\$140.04	VP553	12" Round	\$140.04	<p><b>LOW PROFILE ROOF JACK (MINIMUM 4/12 PITCH)</b></p> <table border="1"> <thead> <tr> <th>MODEL</th> <th>DESCRIPTION</th> <th>PRICE</th> </tr> </thead> <tbody> <tr> <td>VP539-HP</td> <td>6" Round</td> <td>\$65.17</td> </tr> <tr> <td>VP540-HP</td> <td>7" Round</td> <td>\$65.17</td> </tr> <tr> <td>VP541-HP</td> <td>8" Round</td> <td>\$65.17</td> </tr> </tbody> </table>	MODEL	DESCRIPTION	PRICE	VP539-HP	6" Round	\$65.17	VP540-HP	7" Round	\$65.17	VP541-HP	8" Round	\$65.17	<p><b>LOW PROFILE ROOF JACK (MINIMUM 4/12 PITCH)</b></p> <table border="1"> <thead> <tr> <th>MODEL</th> <th>DESCRIPTION</th> <th>PRICE</th> </tr> </thead> <tbody> <tr> <td>VP552-HP</td> <td>10" Round</td> <td>\$140.04</td> </tr> <tr> <td>VP553-HP</td> <td>12" Round</td> <td>\$140.04</td> </tr> </tbody> </table>	MODEL	DESCRIPTION	PRICE	VP552-HP	10" Round	\$140.04	VP553-HP	12" Round	\$140.04
MODEL	DESCRIPTION	PRICE																																											
VP539	6" Round	\$65.17																																											
VP540	7" Round	\$65.17																																											
VP541	8" Round	\$65.17																																											
MODEL	DESCRIPTION	PRICE																																											
VP552	10" Round	\$140.04																																											
VP553	12" Round	\$140.04																																											
MODEL	DESCRIPTION	PRICE																																											
VP539-HP	6" Round	\$65.17																																											
VP540-HP	7" Round	\$65.17																																											
VP541-HP	8" Round	\$65.17																																											
MODEL	DESCRIPTION	PRICE																																											
VP552-HP	10" Round	\$140.04																																											
VP553-HP	12" Round	\$140.04																																											
<p><b>ADJUSTABLE ELBOW</b></p> <table border="1"> <thead> <tr> <th>MODEL</th> <th>DESCRIPTION</th> <th>PRICE</th> </tr> </thead> <tbody> <tr> <td>VP513</td> <td>6" Round</td> <td>\$19.41</td> </tr> <tr> <td>VP514</td> <td>7" Round</td> <td>\$19.41</td> </tr> <tr> <td>VP515</td> <td>8" Round</td> <td>\$19.41</td> </tr> </tbody> </table>	MODEL	DESCRIPTION	PRICE	VP513	6" Round	\$19.41	VP514	7" Round	\$19.41	VP515	8" Round	\$19.41	<p><b>BACK/SIDE VENT ELBOW</b></p> <table border="1"> <thead> <tr> <th>MODEL</th> <th>DESCRIPTION</th> <th>PRICE</th> </tr> </thead> <tbody> <tr> <td>VP561</td> <td>8" to 6" x 8-1/2"</td> <td>\$26.36</td> </tr> </tbody> </table>	MODEL	DESCRIPTION	PRICE	VP561	8" to 6" x 8-1/2"	\$26.36	<p><b>3 1/4" x 10" BACK VENT ELBOW</b></p> <table border="1"> <thead> <tr> <th>MODEL</th> <th>DESCRIPTION</th> <th>PRICE</th> </tr> </thead> <tbody> <tr> <td>VP559</td> <td>3-1/4" x 10"</td> <td>\$26.36</td> </tr> </tbody> </table>	MODEL	DESCRIPTION	PRICE	VP559	3-1/4" x 10"	\$26.36	<p><b>3 1/4" x 10" TO 7" TRANSITION</b></p> <table border="1"> <thead> <tr> <th>MODEL</th> <th>DESCRIPTION</th> <th>PRICE</th> </tr> </thead> <tbody> <tr> <td>VP521</td> <td>3-1/4" x 10 to 7"</td> <td>\$25.10</td> </tr> </tbody> </table>	MODEL	DESCRIPTION	PRICE	VP521	3-1/4" x 10 to 7"	\$25.10												
MODEL	DESCRIPTION	PRICE																																											
VP513	6" Round	\$19.41																																											
VP514	7" Round	\$19.41																																											
VP515	8" Round	\$19.41																																											
MODEL	DESCRIPTION	PRICE																																											
VP561	8" to 6" x 8-1/2"	\$26.36																																											
MODEL	DESCRIPTION	PRICE																																											
VP559	3-1/4" x 10"	\$26.36																																											
MODEL	DESCRIPTION	PRICE																																											
VP521	3-1/4" x 10 to 7"	\$25.10																																											
<p><b>MULTI-BLOWER TRANSITION</b></p> <table border="1"> <thead> <tr> <th>MODEL</th> <th>DESCRIPTION</th> <th>PRICE</th> </tr> </thead> <tbody> <tr> <td>VP562</td> <td>6" &amp; 8" to 10"</td> <td>\$140.04</td> </tr> <tr> <td>VP563</td> <td>8" &amp; 8" to 12"</td> <td>\$140.04</td> </tr> </tbody> </table>	MODEL	DESCRIPTION	PRICE	VP562	6" & 8" to 10"	\$140.04	VP563	8" & 8" to 12"	\$140.04	<p><b>M1200 STANDARD TRANSITION</b></p> <table border="1"> <thead> <tr> <th>MODEL</th> <th>DESCRIPTION</th> <th>PRICE</th> </tr> </thead> <tbody> <tr> <td>VP566</td> <td>M1200 Transition</td> <td>\$48.87</td> </tr> </tbody> </table>	MODEL	DESCRIPTION	PRICE	VP566	M1200 Transition	\$48.87	<p><b>STANDARD ISLAND TRANSITION</b></p> <table border="1"> <thead> <tr> <th>MODEL</th> <th>DESCRIPTION</th> <th>PRICE</th> </tr> </thead> <tbody> <tr> <td>VP565</td> <td>5" x 16" to 8" Rnd</td> <td>\$51.31</td> </tr> </tbody> </table>	MODEL	DESCRIPTION	PRICE	VP565	5" x 16" to 8" Rnd	\$51.31	<p><b>CLUSTER BLOWER TRANSITION</b></p> <table border="1"> <thead> <tr> <th>MODEL</th> <th>DESCRIPTION</th> <th>PRICE</th> </tr> </thead> <tbody> <tr> <td>VP564</td> <td>8" &amp; 8" to 12"</td> <td>\$51.31</td> </tr> </tbody> </table>	MODEL	DESCRIPTION	PRICE	VP564	8" & 8" to 12"	\$51.31															
MODEL	DESCRIPTION	PRICE																																											
VP562	6" & 8" to 10"	\$140.04																																											
VP563	8" & 8" to 12"	\$140.04																																											
MODEL	DESCRIPTION	PRICE																																											
VP566	M1200 Transition	\$48.87																																											
MODEL	DESCRIPTION	PRICE																																											
VP565	5" x 16" to 8" Rnd	\$51.31																																											
MODEL	DESCRIPTION	PRICE																																											
VP564	8" & 8" to 12"	\$51.31																																											
<p><b>OFFSET L &amp; R TRANSITION FOR ISLAND BLOWERS</b></p> <table border="1"> <thead> <tr> <th>MODEL</th> <th>DESCRIPTION</th> <th>PRICE</th> </tr> </thead> <tbody> <tr> <td>VP542</td> <td>Top Left</td> <td>\$51.31</td> </tr> <tr> <td>VP543</td> <td>Top Right</td> <td>\$51.31</td> </tr> </tbody> </table>	MODEL	DESCRIPTION	PRICE	VP542	Top Left	\$51.31	VP543	Top Right	\$51.31	<p><b>SIDE VENT TRANSITION L &amp; R FOR ISLAND BLOWERS</b></p> <table border="1"> <thead> <tr> <th>MODEL</th> <th>DESCRIPTION</th> <th>PRICE</th> </tr> </thead> <tbody> <tr> <td>VP544</td> <td>Side Left</td> <td>\$51.31</td> </tr> <tr> <td>VP545</td> <td>Side Right</td> <td>\$51.31</td> </tr> </tbody> </table>	MODEL	DESCRIPTION	PRICE	VP544	Side Left	\$51.31	VP545	Side Right	\$51.31	<p><b>OFFSET KIT - ROUND</b></p> <table border="1"> <thead> <tr> <th>MODEL</th> <th>DESCRIPTION</th> <th>PRICE</th> </tr> </thead> <tbody> <tr> <td>VP529</td> <td>6" Rnd to 7" Rnd</td> <td>\$26.36</td> </tr> </tbody> </table>	MODEL	DESCRIPTION	PRICE	VP529	6" Rnd to 7" Rnd	\$26.36	<p><b>OFFSET KIT - RECTANGULAR</b></p> <table border="1"> <thead> <tr> <th>MODEL</th> <th>DESCRIPTION</th> <th>PRICE</th> </tr> </thead> <tbody> <tr> <td>VP550</td> <td>6" to 3-1/4" x 10"</td> <td>\$26.36</td> </tr> </tbody> </table>	MODEL	DESCRIPTION	PRICE	VP550	6" to 3-1/4" x 10"	\$26.36												
MODEL	DESCRIPTION	PRICE																																											
VP542	Top Left	\$51.31																																											
VP543	Top Right	\$51.31																																											
MODEL	DESCRIPTION	PRICE																																											
VP544	Side Left	\$51.31																																											
VP545	Side Right	\$51.31																																											
MODEL	DESCRIPTION	PRICE																																											
VP529	6" Rnd to 7" Rnd	\$26.36																																											
MODEL	DESCRIPTION	PRICE																																											
VP550	6" to 3-1/4" x 10"	\$26.36																																											
<p><b>"Y" TRANSITION</b></p> <table border="1"> <thead> <tr> <th>MODEL</th> <th>DESCRIPTION</th> <th>PRICE</th> </tr> </thead> <tbody> <tr> <td>VP517</td> <td>8" &amp; 8" to 12"</td> <td>\$58.24</td> </tr> <tr> <td>VP518</td> <td>6" &amp; 8" to 12"</td> <td>\$58.24</td> </tr> <tr> <td>VP551</td> <td>6" &amp; 8" to 10"</td> <td>\$58.24</td> </tr> </tbody> </table>	MODEL	DESCRIPTION	PRICE	VP517	8" & 8" to 12"	\$58.24	VP518	6" & 8" to 12"	\$58.24	VP551	6" & 8" to 10"	\$58.24	<p><b>ROUND DUCT PIPE</b></p> <table border="1"> <thead> <tr> <th>MODEL</th> <th>DESCRIPTION</th> <th>PRICE</th> </tr> </thead> <tbody> <tr> <td>VP500</td> <td>6" Round</td> <td>\$22.20</td> </tr> <tr> <td>VP501</td> <td>7" Round</td> <td>\$22.20</td> </tr> <tr> <td>VP502</td> <td>8" Round</td> <td>\$22.20</td> </tr> </tbody> </table>	MODEL	DESCRIPTION	PRICE	VP500	6" Round	\$22.20	VP501	7" Round	\$22.20	VP502	8" Round	\$22.20	<p><b>3 1/4" RECTANGULAR DUCT PIPE</b></p> <table border="1"> <thead> <tr> <th>MODEL</th> <th>DESCRIPTION</th> <th>PRICE</th> </tr> </thead> <tbody> <tr> <td>VP504</td> <td>3-1/4" x 10"</td> <td>\$21.14</td> </tr> <tr> <td>VP505</td> <td>3-1/4" x 12"</td> <td>\$21.14</td> </tr> <tr> <td>VP506</td> <td>3-1/4" x 16"</td> <td>\$21.14</td> </tr> </tbody> </table>	MODEL	DESCRIPTION	PRICE	VP504	3-1/4" x 10"	\$21.14	VP505	3-1/4" x 12"	\$21.14	VP506	3-1/4" x 16"	\$21.14	<p><b>6" RECTANGULAR DUCT PIPE</b></p> <table border="1"> <thead> <tr> <th>MODEL</th> <th>DESCRIPTION</th> <th>PRICE</th> </tr> </thead> <tbody> <tr> <td>VP507</td> <td>6" x 8-1/2"</td> <td>\$22.20</td> </tr> </tbody> </table>	MODEL	DESCRIPTION	PRICE	VP507	6" x 8-1/2"	\$22.20
MODEL	DESCRIPTION	PRICE																																											
VP517	8" & 8" to 12"	\$58.24																																											
VP518	6" & 8" to 12"	\$58.24																																											
VP551	6" & 8" to 10"	\$58.24																																											
MODEL	DESCRIPTION	PRICE																																											
VP500	6" Round	\$22.20																																											
VP501	7" Round	\$22.20																																											
VP502	8" Round	\$22.20																																											
MODEL	DESCRIPTION	PRICE																																											
VP504	3-1/4" x 10"	\$21.14																																											
VP505	3-1/4" x 12"	\$21.14																																											
VP506	3-1/4" x 16"	\$21.14																																											
MODEL	DESCRIPTION	PRICE																																											
VP507	6" x 8-1/2"	\$22.20																																											

**PRICES DO NOT INCLUDE SHIPPING & HANDLING CHARGES**

<b>MOTORS</b>		
<b>PART NO.</b>	<b>DESCRIPTION</b>	<b>PRICE</b>
P1301-1	SINGLE SPEED WHITE MOTOR (CW)	\$97.56
P1301-2	TWO SPEED WHITE MOTOR (CW)	\$97.56
P1302-1	BLACK MOTOR (CCW)	\$97.56
P1315	V-LINE MOTOR	\$137.28
P1900	ADAPTER (AMP PLUG/TWO PRONG PLUG)	\$5.83

<b>BLOWER WHEELS</b>		
<b>PART NO.</b>	<b>DESCRIPTION</b>	<b>PRICE</b>
P1305	WHITE BLOWER WHEEL (CW)	\$26.22
P1306	BLACK BLOWER WHEEL (CCW)	\$26.22
P1307	V-LINE BLOWER WHEEL	\$24.97

<b>BLOWER HOUSINGS</b>		
<b>PART NO.</b>	<b>DESCRIPTION</b>	<b>PRICE</b>
<i>SPECIFY HOOD COLOR</i>		
P1029	B100/T200 BLOWER HSG w/DAMPER	\$80.07
P1029E	B100/T200 EZ CLEAN HSG w/DAMPER	\$80.07
P1028	B200/T400 BLOWER HSG w/DAMPERS	\$154.33
P1028E	B200/T400 EZ CLEAN HSG w/DAMPERS	\$154.33
P1030	T200 REVERSE BLOWER HSG w/DAMPER	\$80.07
P1030E	T200 REVERSE EZ CLEAN HSG w/DAMPER	\$80.07
P1021	V-LINE BLOWER COVER (PAN)	\$34.67

<b>BLOWER SHIELDS</b>		
<b>PART NO.</b>	<b>DESCRIPTION</b>	<b>PRICE</b>
P1025	B100/T200 SHIELD, PAINTED	\$27.68
P1025E	B100 EZ CLEAN SHIELD, PAINTED	\$27.68
P1025E-I	T200 EZ CLEAN SHIELD, PAINTED	\$27.68
P1027	B100/T200 SHIELD, STAINLESS	\$27.68
P1027E	B100 EZ CLEAN SHIELD, STAINLESS	\$27.68
P1027E-I	T200 EZ CLEAN SHIELD, STAINLESS	\$27.68
P1024	B200/T400 SHIELD, PAINTED	\$36.40
P1024E	B200 EZ CLEAN SHIELD, PAINTED	\$36.40
P1024E-I	T400 EZ CLEAN SHIELD, PAINTED	\$36.40
P1026	B200/T400 SHIELD, STAINLESS	\$36.40
P1026E	B200 EZ CLEAN SHIELD, STAINLESS	\$36.40
P1026E-I	T400 EZ CLEAN SHIELD, STAINLESS	\$36.40
P1610P	NICKEL SHIELD SCREW	\$5.83

<b>SWITCHES AND CONTROLS</b>		
<b>PART NO.</b>	<b>DESCRIPTION</b>	<b>PRICE</b>
P1431	SWITCH FOR SINGLE SPEED BLACK MOTOR	\$5.83
P1432	SWITCH FOR FLUORESCENT LIGHT	\$5.83
P1433	SWITCH FOR TWO SPEED WHITE MOTOR	\$7.29
P1434	SWITCH FOR HALOGEN LIGHTS	\$7.29
P1435	LED ROCKER SWITCH	\$6.94
P1410	MOMENTARY SWITCH (TILT/TLH HOODS)	\$5.83
P1418	DIMMER SWITCH (CAN LIGHTS)	\$43.70
P1419	ROTARY SWITCH (HEAT LIGHTS)	\$14.57
P1422	KNOB FOR ROTARY SWITCH (SET SCREW)	\$5.83
P1425	REMOTE BLOWER SPEED CONTROL (HOOD)	\$84.44
P1460	ROTARY SWITCH - B100/LED LIGHTS	\$7.29
P1465	ROTARY SWITCH - B200/T200/T400(2)	\$7.29
P1470-1	MAGIC LUNG ROTARY BLOWER KNOB	\$10.21
P1475-1	MAGIC LUNG ROTARY LIGHT KNOB	\$10.21
P1350-1	DIMMER PACK FOR INTEGRATED LED BULB	\$14.24

<b>M LINE COMPONENTS</b>		
<b>PART NO.</b>	<b>DESCRIPTION</b>	<b>PRICE</b>
P1440	M LINE BLOWER SWITCH	\$20.80
P1445	M LINE BLOWER SWITCH KNOB	\$9.72
P1450	M LINE LIGHT SWITCH	\$20.80
P1455	M LINE LIGHT SWITCH KNOB	\$9.72
P1456	M600 WIRING HARNESS	\$62.41
P1457	M1200 WIRING HARNESS	\$62.41

<b>LIGHT BULBS</b>		
<b>PART NO.</b>	<b>DESCRIPTION</b>	<b>PRICE</b>
P1110	GU10 HALOGEN BULB, 50 WATT	\$15.25
P1111	GU10 LED BULB	\$19.24
P1130	PAR20 HALOGEN BULB, 50 WATT	\$16.01
P1350	INTEGRATED LED BULB (2700K)	\$60.54
P1355	INTEGRATED LED BULB (5000K)	\$60.54

<b>LIGHT FIXTURE COMPONENTS</b>		
<b>PART NO.</b>	<b>DESCRIPTION</b>	<b>PRICE</b>
P1103	LEFT LAMPHOLDER	\$5.83
P1104	RIGHT LAMPHOLDER	\$5.83
P1105	FS-2 STARTER	\$2.92
P1106	STARTER SOCKET	\$7.29
P1123	PAR20 HALOGEN LAMP SOCKET	\$5.83
P1124	GU10 LAMP SOCKET	\$9.06
P1127	FLUORESCENT LIGHT DIFFUSER	\$14.57

<b>REPLACEMENT FILTERS</b>		
<b>PART NO.</b>	<b>DESCRIPTION</b>	<b>PRICE</b>
P1506	SS BAFFLE (16" x 20" x 1-1/2")	\$218.39
P1506A	SS BAFFLE (10" x 20" x 1-1/2")	\$254.78
P1529	M LINE BAFFLE FILTER - 15" x 12"	\$105.38
P1530	M LINE BAFFLE FILTER - 12" x 12"	\$105.38
P1531	M LINE FILTER FILLER PLATE - 6" x 12"	\$44.90

<b>BACK DRAFT DAMPERS</b>		
<b>PART NO.</b>	<b>DESCRIPTION</b>	<b>PRICE</b>
P1031	MAGIC LUNG NYLON POLYMER DAMPER	\$7.29
P1040	B100/T200 METAL DAMPER	\$7.29
P1041	B200 METAL DAMPER	\$7.29
P1042	V-LINE DAMPER	\$9.72

<b>REMOTE BLOWER COMPONENTS</b>		
<b>PART NO.</b>	<b>DESCRIPTION</b>	<b>PRICE</b>
P1425	REMOTE BLOWER SPEED CONTROL (HOOD)	\$84.44
P1510	RM1000 BLOWER WHEEL	\$50.96
P1515	RM1000 MOTOR	\$298.45
P1520	RM1500 BLOWER WHEEL	\$50.96
P1525	RM1500 MOTOR	\$342.14

<b>OTHER MISCELLANEOUS ITEMS</b>		
<b>PART NO.</b>	<b>DESCRIPTION</b>	<b>PRICE</b>
P1039	FLAP STAY FOR TILT/TLH HOODS	\$40.77
AW101	T-HANDLE, 1/8" ALLEN WRENCH	\$14.57
AW102	STANDARD, 1/8" ALLEN WRENCH	\$1.46
P1424	SENSASOURCE THERMOSTAT ASSY	\$17.47
SS KIT	STAINLESS STEEL SCRATCH REPAIR KIT	\$11.66
SS64	STAINLESS STEEL MAGIC (CAN)	\$17.47
CP101	RED BEAR® COPPER POLISH	\$17.47
P1316	3-1/4" x 10" COLLAR FOR V-LINE	\$13.88
P1317	BACK PLATE FOR V-LINE	\$6.94

Vent-A-Head®

MODE  
superior products by design

MODEVEGAS

9560 S. Rainbow Blvd.

Las Vegas, NV 89139

P 714.523.1511

[orders@modedistributing.com](mailto:orders@modedistributing.com)