



# PERLICK®

# Price | List

PRICESEFFECTIVE

APRIL 1, 2026



MODEVEGAS

9560 South Rainbow Blvd.

Las Vegas, NV 92807

P 714.523.1511

F 714.522.0875

MODE  
superior products by design

[modedistributing.com](http://modedistributing.com)



## COLUMN MODEL NUMBER NOMENCLATURE

### BELOW IS A GUIDE TO HOW PERLICK COLUMN MODEL NUMBERS ARE BUILT.

The following breakdown is for a 24" column dual-zone wine column with glass overlay door, hinge left (Model No. CR24D-2-4LL).

*Please note that columns are only available in panel ready less handle (ready to accept custom panel with customer-supplied handle). If you desire a stainless steel door and Perlick handle, it must be ordered separately as an accessory item.*

CR24D-2-4LL	C	=	Column			
CR24D-2-4LL	R	=	Refrigeration			
CR24D-2-4LL	24	=	24" wide model	30	=	30" wide model
CR24D-2-4LL	C	=	Dual Zone Beverage	B	=	Beverage
	D	=	Wine reserve, dual-zone	W	=	Wine reserve, single-zone
CR24D-2-4LL	2	=	Generation 2			
CR24D-2-4LL	4	=	Panel ready glass door*			
CR24D-2-4LL	L	=	Left hinge	R	=	Right hinge
CR24D-2-4LL	L	=	Lock Ready			



## UNDERCOUNTER MODEL NUMBER NOMENCLATURE

### BELOW IS A GUIDE TO HOW PERLICK UNDERCOUNTER MODEL NUMBERS ARE BUILT.

The following breakdown is for a 24" Signature Series Indoor Refrigerator with stainless steel glass door, hinged left (Model No. HP24RS-4-3L).

*\*This model comes ready to accept custom panel from cabinet maker.*

HP24RS-4-3L	H	=	Home products			
HP24RS-4-3L	P	=	Perlick Signature	C	=	Commercial
	H	=	Shallow depth	A	=	ADA Compliant
HP24RS-4-3L	15	=	15" wide model	24	=	24" wide model
HP24RS-4-3L	F	=	Freezer	C	=	DZ Refrigerator/ wine reserve
	Z	=	DZ Freezer/Refrigerator	B	=	Beverage center
	R	=	Refrigerator	W	=	Wine reserve
HP24RS-4-3L	S	=	Stand alone (SS exterior, Indoor)	B	=	Built-in (Vinyl-clad exterior, Indoor)
				O	=	Outdoor (SS exterior)
				M	=	Marine Grade SS exterior
HP24RS-4-3L	4	=	Generation 4			
HP24RS-4-3L	1	=	Stainless steel solid door	3	=	Stainless steel glass door
	2	=	Panel ready solid door*	4	=	Panel ready glass door*
				5	=	Stainless steel drawers
				6	=	Panel ready drawers*
HP24RS-4-3L	L	=	Left hinge	R	=	Right hinge
HP24RS-4-3LL	L	=	Lock	DL	=	Drawer Lock



## G5 MODEL NUMBER NOMENCLATURE

### BELOW IS A GUIDE TO HOW PERLICK G5 MODEL NUMBERS ARE BUILT.

The following breakdown is for a G5 Luxe 24" Beverage Center, Glass Door (Model No. G5BC24GL)

G5BC24GL	G5	=	GENERATION 5			
G5BC24GL	BC	=	BEVERAGE CENTER	RE	=	REFRIGERATOR
	BZ	=	DUAL ZONE BEVERAGE	WD	=	DUAL ZONE WINE
	RD	=	REFRIGERATOR DRAWERS	FD	=	FREEZER DRAWERS
G5BC24GL	24	=	24" MODEL	15	=	15" MODEL
G5BC24GL	G	=	GLASS DOOR	S	=	SOLID DOOR
G5BC24GL	L	=	LUXE	C	=	CORE
	D	=	SHALLOW-DEPTH (LUXE)	A	=	ADA (CORE)

# TABLE OF CONTENTS



4	PERLICK COLUMN COLLECTION
6	PERLICK SIGNATURE SERIES
18	PERLICK G5 CORE SERIES
19	PERLICK G5 ADA COMPLIANT SERIES
20	PERLICK G5 LUXE SERIES
23	PERLICK G5 SHALLOW ADA LUXE SERIES
24	PERLICK ICE MAKERS
27	PERLICK 70" MOBILE BAR
29	PERLICK 24" MOBILE TAP
32	PERLICK ACCESSORIES
38	PERLICK WARRANTY

**Perlick**  
EXCLUSIVE RESIDENTIAL WARRANTY

<p><b>2 YEAR</b> PARTS &amp; LABOR WARRANTY* For All Residential Ice Makers (H50 &amp; H80 Series)</p>	<p><b>6 YEAR</b> PARTS &amp; LABOR WARRANTY* For All Generation 4 Hydro Carbon Undercounter Refrigeration (Excludes Residential Ice Makers)</p>
<p><b>3 YEAR</b> PARTS &amp; LABOR WARRANTY* For Upright Column Refrigeration (CR Series)</p>	<p><b>12 YEAR</b> SEALED SYSTEM WARRANTY - PARTS ONLY* For Upright Column Refrigeration (CR Series)</p>

\*See page 61 for additional information on Perlick Corporation Residential Refrigeration Products Limited Warranty





## COLUMN REFRIGERATION CR

- Columns feature flush installation for full integration into surrounding cabinetry
- Touch screen control provides streamlined access to a variety of options
- Eye-catching mix of stainless steel interiors and vibrant white and blue lighting
- Dual zone models feature a state-of-the-art refrigeration system with two separate temperature zones, dual-chamber air filtration, and authentic humidity control
- Beverage Columns feature heavy duty, high capacity, stainless-steel shelving
- Wine models feature convertible display shelving and smart humidity
- Accessories include dual installation kit, side enclosure panels, etc.
- Dimensions: 24"W x 24"D x 84"H - 30"W x 24"D x 84"H



CR30C-2-4LL



CR30D-2-4LL

Please note that photos are shown with stainless steel panel installed. Stainless steel door overlays are sold separately. See page 6 for part numbers and UMRP.

### 24" SINGLE ZONE BEVERAGE COLUMN - INDOOR

12.6 cu. ft. capacity		UMRP
CR24B-2-4LL	Single Zone, Glass Overlay Ready, Hinged Left	\$10,500
CR24B-2-4RL	Single Zone, Glass Overlay Ready, Hinged Right	\$10,500

### 24" DUAL ZONE BEVERAGE COLUMN - INDOOR

12.6 cu. ft. capacity		UMRP
CR24C-2-4LL	Dual Zone, Glass Overlay Ready, Hinged Left	\$11,550
CR24C-2-4RL	Dual Zone, Glass Overlay Ready, Hinged Right	\$11,550

### 24" SINGLE ZONE WINE COLUMN - INDOOR

12.6 cu. ft. capacity		UMRP
CR24W-2-4LL	Single Zone, Glass Overlay Ready, Hinged Left	\$11,550
CR24W-2-4RL	Single Zone, Glass Overlay Ready, Hinged Right	\$11,550

### 24" DUAL ZONE WINE COLUMN - INDOOR

12.6 cu. ft. capacity		UMRP
CR24D-2-4LL	Dual Zone, Glass Overlay Ready, Hinged Left	\$12,600
CR24D-2-4RL	Dual Zone, Glass Overlay Ready, Hinged Right	\$12,600

### 30" SINGLE ZONE BEVERAGE COLUMN - INDOOR

16.9 cu. ft. capacity		UMRP
CR30B-2-4LL	Single Zone, Glass Overlay Ready, Hinged Left	\$11,550
CR30B-2-4RL	Single Zone, Glass Overlay Ready, Hinged Right	\$11,550

### 30" DUAL ZONE BEVERAGE COLUMN - INDOOR

16.9 cu. ft. capacity		UMRP
CR30C-2-4LL	Dual Zone, Glass Overlay Ready, Hinged Left	\$12,600
CR30C-2-4RL	Dual Zone, Glass Overlay Ready, Hinged Right	\$12,600

### 30" SINGLE ZONE WINE COLUMN - INDOOR

16.9 cu. ft. capacity		UMRP
CR30W-2-4LL	Single Zone, Glass Overlay Ready, Hinged Left	\$12,600
CR30W-2-4RL	Single Zone, Glass Overlay Ready, Hinged Right	\$12,600

### 30" DUAL ZONE WINE COLUMN - INDOOR

16.9 cu. ft. capacity		UMRP
CR30D-2-4LL	Dual Zone, Glass Overlay Ready, Hinged Left	\$13,650
CR30D-2-4RL	Dual Zone, Glass Overlay Ready, Hinged Right	\$13,650

## CR24 DUAL INSTALLATION KITS

		UMRP
CR-ACC-D1	Dual Installation Kit (Handle-to-Handle)- includes anti-sweat heater	\$510
CR-ACC-D1N	Dual Installation Kit (Handle-to-Handle)- less heater anti-sweat heater	\$410
CR-ACC-D2N	Dual Installation Kit (Hinge-to-Hinge)- less anti-sweat heater	\$410

## CR24 STAINLESS STEEL DOOR PANELS (4" TOE KICK, LESS LOCK)

		UMRP
CR-SG-24PDL4	24" Stainless Steel Glass Door Panel, Left Hinge w/Perlick Two Tone Handle	\$920
CR-SG-24PDR4	24" Stainless Steel Glass Door Panel, Right Hinge w/Perlick Two Tone Handle	\$920

## CR24 STAINLESS STEEL DOOR PANELS (6" TOE KICK, LESS LOCK)

		UMRP
CR-SG-24PDL6	24" Stainless Steel Glass Door Panel, Left Hinge w/Perlick Two Tone Handle	\$920
CR-SG-24PDR6	24" Stainless Steel Glass Door Panel, Right Hinge w/Perlick Two Tone Handle	\$920

## CR24 PRO HANDLE

		UMRP
CR-PRO-HANDLE	Two Tone Perlick Pro Handle (when sold separately)	\$240

## CR24 BUILT-IN TRIM KIT

		UMRP
CR-ACC-TRIM	Left and Right Finish Trim Kit for Built-in Units	\$170

## AIR/ETHYLENE FILTER KITS

		UMRP
CR-ACC-FILTER-C	Replacement Carbon Filter for CR24R, CR30R, CR24W and CR24D models	\$70
CR-ACC-FILTER-E	Replacement Ethylene Filter for CR24R & CR30R models	\$70

## CR30 DUAL INSTALLATION KITS

		UMRP
CR-ACC-D1	Dual Installation Kit (Handle-to-Handle)- includes anti-sweat heater	\$510
CR-ACC-D1N	Dual Installation Kit (Handle-to-Handle)- less heater anti-sweat heater	\$410
CR-ACC-D2N	Dual Installation Kit (Hinge-to-Hinge)- less anti-sweat heater	\$410

## CR30 PRO HANDLE

		UMRP
CR-PRO-HANDLE	Two Tone Perlick Pro Handle (when sold separately)	\$240

## CR30 BUILT-IN TRIM KIT

		UMRP
CR-ACC-TRIM	Left and Right Finish Trim Kit for Built-in Units	\$170

## AIR/ETHYLENE FILTER KITS

		UMRP
CR-ACC-FILTER-C	Replacement Carbon Filter for CR24R, CR30R, CR24W and CR24D models	\$70

## NEW! PERLICK PAINTED DOOR PROGRAM

Add a pop of color to any current generation standard height Perlick undercounter refrigerator with a white or black replacement door with brushed brass handle.

- Super durable automotive-grade powder coat applied to stainless steel for superior corrosion and color fade resistance
- Lifetime PVD brushed brass coating applied to handle to protect handle finish
- Kit includes all components for replacing left or right hinge doors, toe kick, and all required hardware



24RDK-MW-S-BR  
White Solid Door Model



24RDK-MW-G-BR  
White Glass Door Model



White Glass Door  
side angle view



24RDK-MB-S-BR  
Black Solid Door Model



24RDK-MB-G-BR  
Black Glass Door Model



Black Solid Door  
side angle view

### PAINTED DOOR KIT FOR 24" SIGNATURE SERIES

	UMRP
24RDK-MW-S-BR Refrigerator- Stainless steel solid door, hinge left	\$1,000
24RDK-MW-G-BR Refrigerator- Stainless steel solid door, hinge right	\$1,000
24RDK-MB-S-BR Refrigerator- fully integr. panel-ready solid door, hinge left	\$1,000
24RDK-MB-G-BR Refrigerator- fully integr. panel-ready solid door, hinge right	\$1,000

## 15" SIGNATURE SERIES MARINE GRADE HP15

Perlick's 15" Signature Series Marine and Coastal undercounter refrigeration is perfect for storing a variety of food and beverages in small outdoor spaces and features Perlick Armor™, an exclusive materials upgrade to protect against corrosion in the harshest environments.

It's designed for life in the most extreme conditions, so you can enjoy the ultimate in refrigeration wherever you find paradise.

- Superior construction provides a combination of energy-efficient operation and powerful refrigeration performance ideal for food and beverages
- 1000 BTU/hr capacity delivers the industry's most energy-efficient cool down, indoors or outdoors
- Upgraded 18-8 stainless steel and zinc plated fasteners ensure rust won't form in attachment zones
- E-coated condensers add durability to the refrigeration system in the most extreme conditions Commercial-grade all stainless steel interior and marine-grade stainless steel exterior provide superior durability and easy cleaning
- Full-extension shelving provides faster and safer product access with no reaching into the back of the cabinet
- Digital control with audible door alarm
- Select between crisp white and cool blue LED lighting
- Available with or without door locks (see page 3 for model number key)



HP15RM-4-1L



HP15RM-4-3L



HP15RM-4-5

### 15" UNDERCOUNTER REFRIGERATOR - MARINE

		UMRP
HP15RM-4-1L	Refrigerator- Stainless steel solid door, hinge left	\$6,240
HP15RM-4-1R	Refrigerator- Stainless steel solid door, hinge right	\$6,240
HP15RM-4-2L	Refrigerator- fully integrated panel-ready solid door, hinge left	\$6,050
HP15RM-4-2R	Refrigerator- fully integrated panel-ready solid door, hinge right	\$6,050
HP15RM-4-3L	Refrigerator- stainless steel glass door, hinge left	\$6,440
HP15RM-4-3R	Refrigerator- stainless steel glass door, hinge right	\$6,440
HP15RM-4-4L	Refrigerator- fully integrated panel-ready glass door, hinge left	\$6,260
HP15RM-4-4R	Refrigerator- fully integrated panel-ready glass door, hinge right	\$6,260
HP15RM-4-5	Refrigerator Drawers- stainless steel	E \$7,060
HP15RM-4-6	Refrigerator Drawers, fully integr. panel-ready	E \$6,870
HP15RM-4-1LL	Refrigerator- stainless steel solid door, hinge left, lock	\$6,270
HP15RM-4-1RL	Refrigerator- stainless steel solid door, hinge right, lock	\$6,270
HP15RM-4-2LL	Refrigerator- fully integrated panel-ready solid door, hinge left, lock	\$6,090
HP15RM-4-2RL	Refrigerator- fully integr. panel-ready solid door, hinge right, w/ lock	\$6,090
HP15RM-4-3LL	Refrigerator- stainless steel glass door, hinge left, lock	\$6,480
HP15RM-4-3RL	Refrigerator- stainless steel glass door, hinge right, lock	\$6,480
HP15RM-4-4LL	Refrigerator- fully integrated panel-ready glass door, hinge left, w/ lock	\$6,300
HP15RM-4-4RL	Refrigerator- fully integrated panel-ready glass door, hinge right, w/ lock	\$6,300
HP15RM-4-5DL	Refrigerator Drawers- stainless steel, lock	\$7,090
HP15RM-4-6DL	Refrigerator Drawers, fully integrated panel-ready, lock	\$6,910



**E** - Industry Exclusive Model

# SIGNATURE SERIES



## 15" UNDERCOUNTER BEVERAGE CENTER - MARINE

UMRP



HP15BM-4-1L

HP15BM-4-1L	Beverage center, stainless steel solid door, hinged left	<b>E</b> \$6,300
HP15BM-4-1R	Beverage center, stainless steel solid door, hinged right	<b>E</b> \$6,300
HP15BM-4-2L	Beverage center, panel ready solid door, hinged left	<b>E</b> \$6,120
HP15BM-4-2R	Beverage center, panel ready solid door, hinged right	<b>E</b> \$6,120
HP15BM-4-3L	Beverage center, stainless steel glass door, hinged left	<b>E</b> \$6,530
HP15BM-4-3R	Beverage center, stainless steel glass door, hinged right	<b>E</b> \$6,530
HP15BM-4-4L	Beverage center, panel ready glass door, hinged left	<b>E</b> \$6,350
HP15BM-4-4R	Beverage center, panel ready glass door, hinged right	<b>E</b> \$6,350
HP15BM-4-1LL	Beverage center, stainless steel solid door, hinge left, lock	\$6,340
HP15BM-4-1RL	Beverage center, stainless steel solid door, hinge right, lock	\$6,340
HP15BM-4-2LL	Beverage center, fully integrated panel-ready solid door, hinge left, lock	\$6,160
HP15BM-4-2RL	Beverage center, fully integrated panel-ready solid door, hinge right, lock	\$6,160
HP15BM-4-3LL	Beverage center, stainless steel glass door, hinge left, lock	\$6,560
HP15BM-4-3RL	Beverage center, stainless steel glass door, hinge right, lock	\$6,560
HP15BM-4-4LL	Beverage center, fully integrated panel-ready glass door, hinge left, lock	\$6,380
HP15BM-4-4RL	Beverage center, fully integrated panel-ready glass door, hinge right, lock	\$6,380



HP15BM-4-3L

## 15" UNDERCOUNTER WINE RESERVE - MARINE

UMRP



HP15WM-4-1L

HP15WM-4-1L	Wine Reserve- stainless steel solid door, hinge left	\$6,590
HP15WM-4-1R	Wine Reserve- stainless steel solid door, hinge right	\$6,590
HP15WM-4-2L	Wine Reserve- fully integrated panel-ready solid door, hinge left	\$6,420
HP15WM-4-2R	Wine Reserve- fully integrated panel-ready solid door, hinge right	\$6,420
HP15WM-4-3L	Wine Reserve- stainless steel glass door, hinge left	\$6,820
HP15WM-4-3R	Wine Reserve- stainless steel glass door, hinge right	\$6,820
HP15WM-4-4L	Wine Reserve- fully integrated panel-ready glass door, hinge left	\$6,640
HP15WM-4-4R	Wine Reserve- fully integrated panel-ready glass door, hinge right	\$6,640
HP15WM-4-1LL	Wine Reserve- stainless steel solid door, hinge left, lock	\$6,630
HP15WM-4-1RL	Wine Reserve- stainless steel solid door, hinge right, lock	\$6,630
HP15WM-4-2LL	Wine Reserve- fully integrated panel-ready solid door, hinge left, lock	\$6,450
HP15WM-4-2RL	Wine Reserve- fully integrated panel-ready solid door, hinge right, lock	\$6,450
HP15WM-4-3LL	Wine Reserve- stainless steel glass door, hinge left, lock	\$6,860
HP15WM-4-3RL	Wine Reserve- stainless steel glass door, hinge right, lock	\$6,860
HP15WM-4-4LL	Wine Reserve- fully integrated panel-ready glass door, hinge left, lock	\$6,670
HP15WM-4-4RL	Wine Reserve- fully integrated panel-ready glass door, hinge right, lock	\$6,670



HP15WM-4-3LL

## 15" UNDERCOUNTER BEER DISPENSER - MARINE

UMRP



HP15TM-4-1L-1

HP15TM-4-1L-1	Beer Dispenser- stainless steel solid door, hinge left	\$7,430
HP15TM-4-1R-1	Beer Dispenser- stainless steel solid door, hinge right	\$7,430
HP15TM-4-2L-1	Beer Dispenser- fully integrated panel-ready solid door, hinge left	\$7,250
HP15TM-4-2R-1	Beer Dispenser- fully integrated panel-ready solid door, hinge right	\$7,250
HP15TM-4-1LL-1	Beer Dispenser- stainless steel solid door, hinge left, with lock	\$7,470
HP15TM-4-1RL-1	Beer Dispenser- stainless steel solid door, hinge right, with lock	\$7,470
HP15TM-4-2LL-1	Beer Dispenser- fully integrated panel-ready solid door, hinge left, lock	\$7,290
HP15TM-4-2RL-1	Beer Dispenser- fully integrated panel-ready solid door, hinge right, lock	\$7,290

## 24" SIGNATURE SERIES MARINE GRADE HP24

Designed for best-in-class performance on hot summer days, Perlick's 24" Signature Series outdoor undercounter refrigeration offers a wide selection of storage options for food and beverages in your outdoor kitchen or entertaining space. Powered by a robust 1000 BTU variable-speed compressor, Perlick's RAPIDcool™ forced-air refrigeration system outperforms comparable competitor units. Every unit is UL-rated for outdoor use and engineered for optimal performance and energy efficiency, even on the hottest summer days.

- Superior construction provides a combination of energy-efficient operation and powerful refrigeration performance ideal for food and beverages
- 1000 BTU/hr capacity delivers industry's most energy-efficient cool down
- Mix of all 316 and 304 stainless steel for optimal corrosion resistance food and beverage storage safety
- Upgraded 18-8 stainless steel and zinc plated fasteners ensure rust won't form in attachment zones
- E-coated condensers add durability to the refrigeration system in the most extreme conditions
- Perlick Anti-Condensation System™ eliminates condensation from forming on the cabinet for installations in high-humidity environments
- Full-extension shelving provides faster and safer product access with no reaching into the back of the cabinet
- Audible door alarm warns user if door is held open
- Select between crisp white and cool blue LED lighting
- Available with or without door locks (see page 3 for model number key)



HP24FM-4-1L



HP24FM-4-5DL



HP24ZM-4-5DL

### 24" UNDERCOUNTER FREEZER - MARINE

		UMRP
HP24FM-4-1L	Freezer- stainless steel solid door, hinge left	\$7,010
HP24FM-4-1R	Freezer- stainless steel solid door, hinge right	\$7,010
HP24FM-4-2L	Freezer- fully integrated panel-ready solid door, hinge left	\$6,840
HP24FM-4-2R	Freezer- fully integrated panel-ready solid door, hinge right	\$6,840
HP24FM-4-5	Freezer Drawers, stainless steel	\$7,840
HP24FM-4-6	Freezer Drawers, fully integrated panel-ready	\$7,660
HP24FM-4-1LL	Freezer- stainless steel solid door, hinge left, lock	\$7,050
HP24FM-4-1RL	Freezer- stainless steel solid door, hinge right, lock	\$7,050
HP24FM-4-2LL	Freezer- fully integrated panel-ready solid door, hinge left, lock	\$6,870
HP24FM-4-2RL	Freezer- fully integrated panel-ready solid door, hinge right, lock	\$6,870
HP24FM-4-5DL	Freezer Drawers, stainless steel, lock	\$7,880
HP24FM-4-6DL	Freezer Drawers, fully integrated panel-ready, lock	\$7,700

### 24" UNDERCOUNTER DUAL ZONE FREEZER/REFRIGERATOR DRAWERS - MARINE

		UMRP
HP24ZM-4-5	Dual-Zone Freezer/Refrigerator Drawers, stainless steel	<b>E</b> \$8,750
HP24ZM-4-6	Dual-Zone Freezer/Refrigerator Drawers, fully integrated panel-ready	<b>E</b> \$8,580
HP24ZM-4-5DL	Dual-Zone Freezer/Refrigerator Drawers, stainless steel, lock	\$8,780
HP24ZM-4-6DL	Dual-Zone Freezer/Refrigerator Drawers, fully integrated panel-ready, lock	\$8,610



- Energy Star  
Qualified Model

**E** - Industry  
Exclusive Model



HP24RM-4-1L



HP24RM-4-3LL



HP24RM-4-5DL

## 24" UNDERCOUNTER REFRIGERATOR - MARINE

UMRP

HP24RM-4-1L	Refrigerator- Stainless steel solid door, hinge left		\$6,570
HP24RM-4-1R	Refrigerator- Stainless steel solid door, hinge right		\$6,570
HP24RM-4-2L	Refrigerator- fully integrated panel-ready solid door, hinge left		\$6,390
HP24RM-4-2R	Refrigerator- fully integrated panel-ready solid door, hinge right		\$6,390
HP24RM-4-3L	Refrigerator- stainless steel glass door, hinge left		\$6,790
HP24RM-4-3R	Refrigerator- stainless steel glass door, hinge right		\$6,790
HP24RM-4-4L	Refrigerator- fully integrated panel-ready glass door, hinge left		\$6,610
HP24RM-4-4R	Refrigerator- fully integrated panel-ready glass door, hinge right		\$6,610
HP24RM-4-5	Refrigerator Drawers- stainless steel		\$7,390
HP24RM-4-6	Refrigerator Drawers, fully integr. panel-ready		\$7,210
HP24RM-4-1LL	Refrigerator- stainless steel solid door, hinge left, lock		\$6,600
HP24RM-4-1RL	Refrigerator- stainless steel solid door, hinge right, lock		\$6,600
HP24RM-4-2LL	Refrigerator- fully integrated panel-ready solid door, hinge left, lock		\$6,430
HP24RM-4-2RL	Refrigerator- fully integr. panel-ready solid door, hinge right, lock		\$6,430
HP24RM-4-3LL	Refrigerator- stainless steel glass door, hinge left, lock		\$6,830
HP24RM-4-3RL	Refrigerator- stainless steel glass door, hinge right, lock		\$6,830
HP24RM-4-4LL	Refrigerator- fully integrated panel-ready glass door, hinge left, lock		\$6,650
HP24RM-4-4RL	Refrigerator- fully integrated panel-ready glass door, hinge right, lock		\$6,650
HP24RM-4-5DL	Refrigerator Drawers- stainless steel, lock		\$7,420
HP24RM-4-6DL	Refrigerator Drawers, fully integr. panel-ready, lock		\$7,240

## 24" UNDERCOUNTER DUAL-ZONE REFRIGERATOR/ WINE RESERVE - MARINE

UMRP



HP24CM-4-1L



HP24CM-4-3LL

HP24CM-4-1L	Refrigerator/Wine- Stainless steel solid door, hinge left	<b>E</b>	\$7,700
HP24CM-4-1R	Refrigerator/Wine - Stainless steel solid door, hinge right	<b>E</b>	\$7,700
HP24CM-4-2L	Refrigerator/Wine - fully integrated panel-ready solid door, hinge left	<b>E</b>	\$7,510
HP24CM-4-2R	Refrigerator/Wine - fully integrated panel-ready solid door, hinge right	<b>E</b>	\$7,510
HP24CM-4-3L	Refrigerator/Wine - stainless steel glass door, hinge left	<b>E</b>	\$7,910
HP24CM-4-3R	Refrigerator/Wine - stainless steel glass door, hinge right	<b>E</b>	\$7,910
HP24CM-4-4L	Refrigerator/Wine - fully integrated panel-ready glass door, hinge left	<b>E</b>	\$7,740
HP24CM-4-4R	Refrigerator/Wine - fully integrated panel-ready glass door, hinge right	<b>E</b>	\$7,740
HP24CM-4-1LL	Refrigerator/Wine - stainless steel solid door, hinge left, lock		\$7,730
HP24CM-4-1RL	Refrigerator/Wine - stainless steel solid door, hinge right, lock		\$7,730
HP24CM-4-2LL	Refrigerator/Wine - fully integrated panel-ready solid door, hinge left, lock		\$7,550
HP24CM-4-2RL	Refrigerator/Wine - fully integrated panel-ready solid door, hinge right, lock		\$7,550
HP24CM-4-3LL	Refrigerator/Wine - stainless steel glass door, hinge left, lock		\$7,950
HP24CM-4-3RL	Refrigerator/Wine - stainless steel glass door, hinge right, lock		\$7,950
HP24CM-4-4LL	Refrigerator/Wine - fully integrated panel-ready glass door, hinge left, lock		\$7,770
HP24CM-4-4RL	Refrigerator/Wine - fully integrated panel-ready glass door, hinge right, lock		\$7,770



- Energy Star  
Qualified Model

**E** - Industry  
Exclusive Model

## 24" UNDERCOUNTER BEVERAGE CENTER - MARINE



HP24BM-4-1L



HP24BM-4-3LL

		UMRP
HP24BM-4-1L	Beverage center- stainless steel solid door, hinged left	\$6,650
HP24BM-4-1R	Beverage center- stainless steel solid door, hinged right	\$6,650
HP24BM-4-2L	Beverage center- panel ready solid door, hinged left	\$6,460
HP24BM-4-2R	Beverage center- panel ready solid door, hinged right	\$6,460
HP24BM-4-3L	Beverage center- stainless steel glass door, hinged left	\$6,860
HP24BM-4-3R	Beverage center- stainless steel glass door, hinged right	\$6,860
HP24BM-4-4L	Beverage center- panel ready glass door, hinged left	\$6,680
HP24BM-4-4R	Beverage center- panel ready glass door, hinged right	\$6,680
HP24BM-4-1LL	Beverage center- stainless steel solid door, hinge left, lock	\$6,690
HP24BM-4-1RL	Beverage center- stainless steel solid door, hinge right, lock	\$6,690
HP24BM-4-2LL	Beverage center- fully integrated panel-ready solid door, hinge left, lock	\$6,490
HP24BM-4-2RL	Beverage center- fully integrated panel-ready solid door, hinge right, lock	\$6,490
HP24BM-4-3LL	Beverage center- stainless steel glass door, hinge left, lock	\$6,900
HP24BM-4-3RL	Beverage center- stainless steel glass door, hinge right, lock	\$6,900
HP24BM-4-4LL	Beverage center- fully integrated panel-ready glass door, hinge left, lock	\$6,710
HP24BM-4-4RL	Beverage center- fully integrated panel-ready glass door, hinge right, lock	\$6,710

## 24" UNDERCOUNTER SINGLE-ZONE WINE RESERVE - MARINE



HP24WM-4-1L



HP24WM-4-3LL

		UMRP
HP24WM-4-1L	Wine reserve- stainless steel solid door, hinged left	\$7,080
HP24WM-4-1R	Wine reserve- stainless steel solid door, hinged right	\$7,080
HP24WM-4-2L	Wine reserve- panel ready solid door, hinged left	\$6,900
HP24WM-4-2R	Wine reserve- panel ready solid door, hinged right	\$6,900
HP24WM-4-3L	Wine reserve- stainless steel glass door, hinged left	\$7,290
HP24WM-4-3R	Wine reserve- stainless steel glass door, hinged right	\$7,290
HP24WM-4-4L	Wine reserve- panel ready glass door, hinged left	\$7,120
HP24WM-4-4R	Wine reserve- panel ready glass door, hinged right	\$7,120
HP24WM-4-1LL	Wine reserve- stainless steel solid door, hinge left, lock	\$7,120
HP24WM-4-1RL	Wine reserve- stainless steel solid door, hinge right, lock	\$7,120
HP24WM-4-2LL	Wine reserve- fully integrated panel-ready solid door, hinge left, lock	\$6,940
HP24WM-4-2RL	Wine reserve- fully integrated panel-ready solid door, hinge right, lock	\$6,940
HP24WM-4-3LL	Wine reserve- stainless steel glass door, hinge left, lock	\$7,320
HP24WM-4-3RL	Wine reserve- stainless steel glass door, hinge right, lock	\$7,320
HP24WM-4-4LL	Wine reserve- fully integrated panel-ready glass door, hinge left, lock	\$7,160
HP24WM-4-4RL	Wine reserve- fully integrated panel-ready glass door, hinge right, lock	\$7,160



- Energy Star  
Qualified Model

E - Industry  
Exclusive Model



HP24DM-4-1L



HP24DM-4-3LL



HP24TM-4-1L-1



HP24TM-4-1LL-2

## 24" UNDERCOUNTER DUAL-ZONE WINE RESERVE - MARINE

		UMRP
HP24DM-4-1L	Wine reserve- stainless steel solid door, hinged left	\$7,440
HP24DM-4-1R	Wine reserve- stainless steel solid door, hinged right	\$7,440
HP24DM-4-2L	Wine reserve- panel ready solid door, hinged left	\$7,260
HP24DM-4-2R	Wine reserve- panel ready solid door, hinged right	\$7,260
HP24DM-4-3L	Wine reserve- stainless steel glass door, hinged left	\$7,650
HP24DM-4-3R	Wine reserve- stainless steel glass door, hinged right	\$7,650
HP24DM-4-4L	Wine reserve- panel ready glass door, hinged left	\$7,490
HP24DM-4-4R	Wine reserve- panel ready glass door, hinged right	\$7,490
HP24DM-4-1LL	Wine reserve- stainless steel solid door, hinge left, lock	\$7,480
HP24DM-4-1RL	Wine reserve- stainless steel solid door, hinge right, lock	\$7,480
HP24DM-4-2LL	Wine reserve- fully integrated panel-ready solid door, hinge left, lock	\$7,300
HP24DM-4-2RL	Wine reserve- fully integrated panel-ready solid door, hinge right, lock	\$7,300
HP24DM-4-3LL	Wine reserve- stainless steel glass door, hinge left, lock	\$7,690
HP24DM-4-3RL	Wine reserve- stainless steel glass door, hinge right, lock	\$7,690
HP24DM-4-4LL	Wine reserve- fully integrated panel-ready glass door, hinge left, lock	\$7,520
HP24DM-4-4RL	Wine reserve- fully integrated panel-ready glass door, hinge right, lock	\$7,520

## 24" UNDERCOUNTER BEER DISPENSER - MARINE

		UMRP
HP24TM-4-1L-1	Beer Dispenser- Single Tap, stainless steel solid door, hinge left	\$7,770
HP24TM-4-1R-1	Beer Dispenser- Single Tap, stainless steel solid door, hinge right	\$7,770
HP24TM-4-2L-1	Beer Dispenser- Single Tap, fully integrated panel-ready solid door, hinge left	\$7,600
HP24TM-4-2R-1	Beer Dispenser- Single Tap, fully integrated panel-ready solid door, hinge right	\$7,600
HP24TM-4-1L-2	Beer Dispenser- Dual Tap, stainless steel solid door, hinge left	\$8,310
HP24TM-4-1R-2	Beer Dispenser- Dual Tap, stainless steel solid door, hinge right	\$8,310
HP24TM-4-2L-2	Beer Dispenser- Dual Tap, fully integrated panel-ready solid door, hinge left	\$8,120
HP24TM-4-2R-2	Beer Dispenser- Dual Tap, fully integrated panel-ready solid door, hinge right	\$8,120
HP24TM-4-1LL-1	Beer Dispenser- Single Tap, stainless steel solid door, hinge left, lock	\$7,810
HP24TM-4-1RL-1	Beer Dispenser- Single Tap, stainless steel solid door, hinge right, lock	\$7,810
HP24TM-4-2LL-1	Beer Dispenser- Single Tap, fully integrated panel-ready solid door, hinge left, lock	\$7,630
HP24TM-4-2RL-1	Beer Dispenser- Single Tap, fully integrated panel-ready solid door, hinge right, lock	\$7,630
HP24TM-4-1LL-2	Beer Dispenser- Dual Tap, stainless steel solid door, hinge left, lock	\$8,340
HP24TM-4-1RL-2	Beer Dispenser- Dual Tap, stainless steel solid door, hinge right, lock	\$8,340
HP24TM-4-2LL-2	Beer Dispenser- Dual Tap, fully integrated panel-ready solid door, hinge left, lock	\$8,160
HP24TM-4-2RL-2	Beer Dispenser- Dual Tap, fully integrated panel-ready solid door, hinge right, lock	\$8,160



- Energy Star  
Qualified Model

E - Industry  
Exclusive Model

## 18" SIGNATURE SERIES MARINE GRADE HH24

Perlick's industry-exclusive 18" depth Signature Series Shallow Depth Marine Grade refrigeration provides storage for shallow depth outdoor spaces that can't accommodate a traditional 24" depth. Its 32" height and ADA compliant design makes it perfect for accessible and aging-in-place designs. Its unique slim profile makes this model a designer favorite because of its incredible versatility. UL-rated for outdoor use.

- Superior construction provides a combination of energy-efficient operation and powerful refrigeration performance ideal for food and beverages
- 1000 BTU/hr capacity delivers industry's most energy-efficient cool down
- Mix of all 316 and 304 stainless steel for optimal corrosion resistance food and beverage storage safety
- Upgraded 18-8 stainless steel and zinc plated fasteners ensure rust won't form in attachment zones
- E-coated condensers add durability to the refrigeration system in the most extreme conditions
- Perlick Anti-Condensation System™ eliminates condensation from forming on the cabinet for installations in high-humidity environments
- Full-extension shelving provides faster and safer product access with no reaching into the back of the cabinet
- Audible door alarm warns user if door is held open
- Select between crisp white and cool blue LED lighting
- Available with or without door locks (see page 3 for model number key)



HH24RM-4-1L



HH24RM-4-3LL

### UNDERCOUNTER 18" DEPTH REFRIGERATOR - MARINE

		UMRP
HH24RM-4-1L	Refrigerator- stainless steel solid door, hinge left	E  \$5,800
HH24RM-4-1R	Refrigerator- stainless steel solid door, hinge right	E  \$5,800
HH24RM-4-2L	Refrigerator- fully integrated panel-ready solid door, hinge left	E  \$5,620
HH24RM-4-2R	Refrigerator- fully integrated panel-ready solid door, hinge right	E  \$5,620
HH24RM-4-3L	Refrigerator- stainless steel glass door, hinge left	E  \$6,010
HH24RM-4-3R	Refrigerator- stainless steel glass door, hinge right	E  \$6,010
HH24RM-4-4L	Refrigerator- fully integrated panel-ready glass door, hinge left	E  \$5,830
HH24RM-4-4R	Refrigerator- fully integrated panel-ready glass door, hinge right	E  \$5,830
HH24RM-4-1LL	Refrigerator- stainless steel solid door, hinge left, lock	\$5,840
HH24RM-4-1RL	Refrigerator- stainless steel solid door, hinge right, lock	\$5,840
HH24RM-4-2LL	Refrigerator- fully integrated panel-ready solid door, hinge left, lock	\$5,660
HH24RM-4-2RL	Refrigerator- fully integrated panel-ready solid door, hinge right, lock	\$5,660
HH24RM-4-3LL	Refrigerator- stainless steel glass door, hinge left, lock	\$6,050
HH24RM-4-3RL	Refrigerator- stainless steel glass door, hinge right, lock	\$6,050
HH24RM-4-4LL	Refrigerator- fully integrated panel-ready glass door, hinge left, lock	\$5,870
HH24RM-4-4RL	Refrigerator- fully integrated panel-ready glass door, hinge right, lock	\$5,870



- Energy Star  
Qualified Model

E - Industry  
Exclusive Model



HH24BM-4-1L



HH24BM-4-3LL

## UNDERCOUNTER 18" DEPTH BEVERAGE CENTER - MARINE

			UMRP
HH24BM-4-1L	Beverage center- stainless steel solid door, hinged left	E	\$5,870
HH24BM-4-1R	Beverage center- stainless steel solid door, hinged right	E	\$5,870
HH24BM-4-2L	Beverage center- fully integrated panel ready solid door, hinged left	E	\$5,690
HH24BM-4-2R	Beverage center- fully integrated panel ready solid door, hinged right	E	\$5,690
HH24BM-4-3L	Beverage center- stainless steel glass door, hinged left	E	\$6,090
HH24BM-4-3R	Beverage center- stainless steel glass door, hinged right	E	\$6,090
HH24BM-4-4L	Beverage center- fully integrated panel ready glass door, hinged left	E	\$5,920
HH24BM-4-4R	Beverage center- fully integrated panel ready glass door, hinged right	E	\$5,920
HH24BM-4-1LL	Beverage center- stainless steel solid door, hinged left, lock		\$5,910
HH24BM-4-1RL	Beverage center- stainless steel solid door, hinged right, lock		\$5,910
HH24BM-4-2LL	Beverage center- fully integrated panel ready solid door, hinged left, lock		\$5,730
HH24BM-4-2RL	Beverage center- fully integrated panel ready solid door, hinged right, lock		\$5,730
HH24BM-4-3LL	Beverage center- stainless steel glass door, hinged left, lock		\$6,130
HH24BM-4-3RL	Beverage center- stainless steel glass door, hinged right, lock		\$6,130
HH24BM-4-4LL	Beverage center- fully integrated panel ready glass door, hinged left, lock		\$5,950
HH24BM-4-4RL	Beverage center- fully integrated panel ready glass door, hinged right, lock		\$5,950



HH24WM-4-1L



HH24WM-4-3LL

## UNDERCOUNTER 18" DEPTH WINE RESERVE - MARINE

			UMRP
HH24WM-4-1L	Wine reserve- stainless steel solid door, hinged left	E	\$6,030
HH24WM-4-1R	Wine reserve- stainless steel solid door, hinged right	E	\$6,030
HH24WM-4-2L	Wine reserve- fully integrated panel ready solid door, hinged left	E	\$5,840
HH24WM-4-2R	Wine reserve- fully integrated panel ready solid door, hinged right	E	\$5,840
HH24WM-4-3L	Wine reserve- stainless steel glass door, hinged left	E	\$6,240
HH24WM-4-3R	Wine reserve- stainless steel glass door, hinged right	E	\$6,240
HH24WM-4-4L	Wine reserve- fully integrated panel ready glass door, hinged left	E	\$6,050
HH24WM-4-4R	Wine reserve- fully integrated panel ready glass door, hinged right	E	\$6,050
HH24WM-4-1LL	Wine reserve- stainless steel solid door, hinge left, lock		\$6,060
HH24WM-4-1RL	Wine reserve- stainless steel solid door, hinge right, lock		\$6,060
HH24WM-4-2LL	Wine reserve- fully integrated panel-ready solid door, hinge left, lock		\$5,880
HH24WM-4-2RL	Wine reserve- fully integrated panel-ready solid door, hinge right, lock		\$5,880
HH24WM-4-3LL	Wine reserve- stainless steel glass door, hinge left, lock		\$6,270
HH24WM-4-3RL	Wine reserve- stainless steel glass door, hinge right, lock		\$6,270
HH24WM-4-4LL	Wine reserve- fully integrated panel-ready glass door, hinge left, lock		\$6,090
HH24WM-4-4RL	Wine reserve- fully integrated panel-ready glass door, hinge right, lock		\$6,090



- Energy Star  
Qualified Model

E - Industry  
Exclusive Model



# G5 COLLECTION

THE NEW STANDARD IN PREMIUM REFRIGERATION

## PROFESSIONAL PERFORMANCE

The fastest cool-down ever, powered by Perlick's exclusive RAPID-cool™ technology, chills every beverage quickly, ultraquietly and evenly throughout the entire cabinet.

## LUXURY DESIGN

Panel-ready options, with soft-closing articulating hinges, create a beautiful uninterrupted, fully concealed, seamless aesthetic to integrate into any uniquely curated space.

## EXCLUSIVE TECHNOLOGY

Smart-Defrost intuitively provides efficient frostfree operation adapting to use and environmental conditions with Smart-Monitoring continuously tracking performance for dependability, and remote support.

## COMMERCIAL-GRADE

Fully stainless steel exteriors and interiors, corrosion resistance, certified for indoor and outdoor use, delivering reliable performance regardless of temperature or humidity, uses Perlick's AntiCondensation System™—as trusted by the world's top bars and restaurants.

TOUCHSCREEN INTERFACE



STAINLESS STEEL INTERIORS



ARTICULATING HINGE OPEN



ARTICULATING HINGE CLOSED



## ADDITIONAL FEATURES

- **Touchscreen UI + Total Color Control™ Lighting** gives sleek, intuitive controls provide easy access to temperature lighting, and diagnostics—20+ dimming lighting curated states to perfectly enhance ambiance and harmonize with surrounding finishes
- **Quick-Cool Mode** delivers on-demand cooling 20% faster than our standard pull-down
- **Patent-pending Front-Access Leveling Legs** streamline installation with easy access—no tipping or repositioning required for adjustments
- **Full-extension shelving** provides maximum stability and smooth, vibration-dampened glides for easy loading and effortless access to the back of the cabinet
- **Ultra-quiet performance**, 55% quieter than previous models
- **Glass doors feature Low E, Argon filled UV-resistant triple-pane thermal glass** to limit energy transfer and add increased strength to indoor and outdoor performance
- **More Eco-Friendly:** Uses entirely sustainable stainless steel and R600a refrigerant with zero ODP and very low GWP
- **Sabbath Mode Star-K certified** in accordance with Halacha, Shabbat, and Jewish Holidays
- **Exclusively designed, engineered and manufactured by Perlick**



# G5 COLLECTION

## DOOR AND PANEL OPTIONS

### SELECT YOUR PERFECT COMBINATION

All cabinets are panel-ready and field reversible. Must choose a solid door, glass door, or drawers, then complete the look with a Perlick stainless steel panel (sold separately). When using Custom panels (provided by you or your designer), door/drawer options and stainless steel panel are not required.

#### G5 CABINET + DOOR

(Units come without panel)

#### STAINLESS PANEL\*

(Sold separately by Perlick)

or

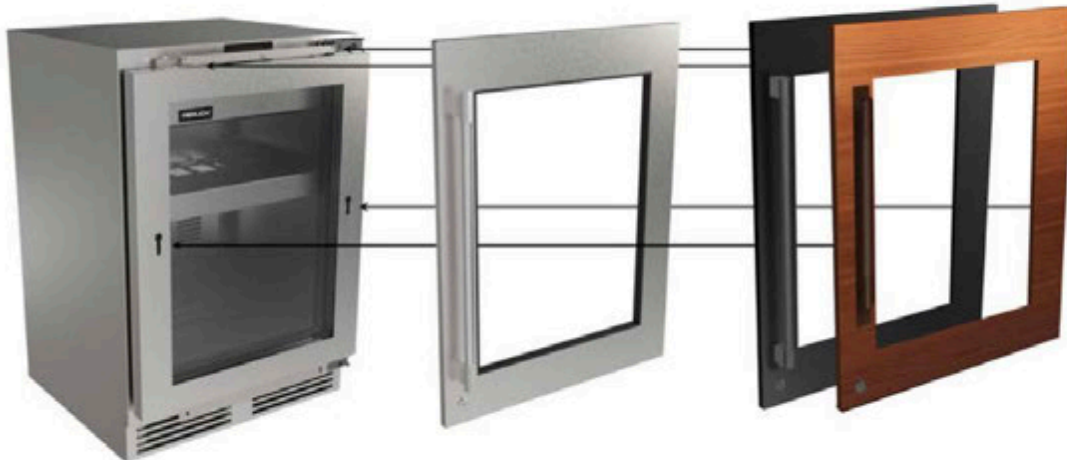
#### CUSTOM PANEL

(Provided by you or your designer)

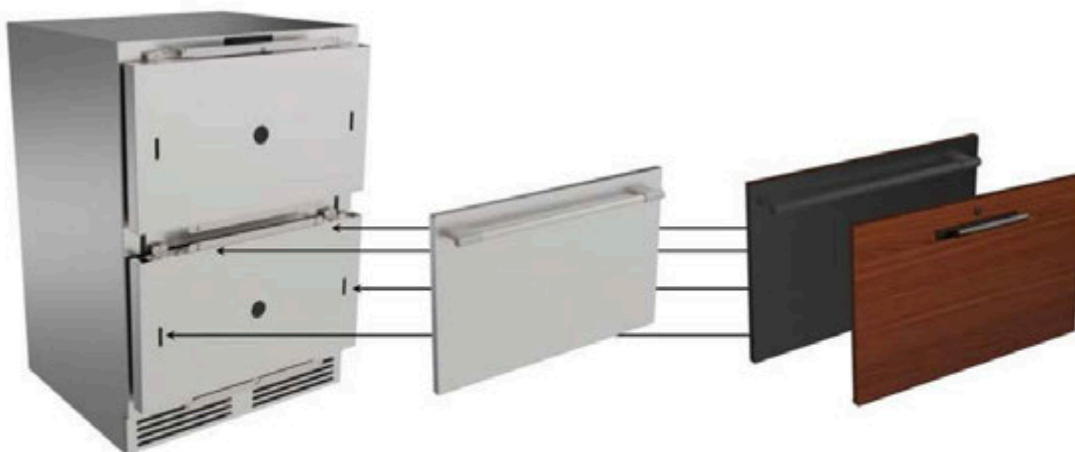
### SOLID DOOR



### GLASS DOOR



### DRAWERS



\*Stainless panel shown with Luxe premium knurled handle

# Perlick Generation 4 to Generation 5 Relationship Conversion Chart

MODEL	GEN 4 EQUIVALENT (DOORS SOLD SEPARATELY) FIELD REVERSIBLE	OPTIONAL DOORS (LUXE NEW HANDLE)	OPTIONAL DOOR (CORE - SIGNATURE SERIES HP)
G5RE24SL	HP24RS, HP24RO (Solid Panel Ready)	1056130, 1056511, 1056124, 1056126	1056128, 1056512, 1056120, 1056022
G5RE24GL	HP24RS, HP24RO (Glass Panel Ready)	1056129, 1056123, 1056125	1056127, 1056099, 105121
G5BC24SL	HP24BS, HP24BO (Solid Panel Ready)	1056130, 1056511, 1056124, 1056126	1056128, 1056512, 1056120, 1056022
G5BC24GL	HP24BS, HP24BO (Glass Panel Ready)	1056129, 1056123, 1056125	1056127, 1056099, 105121
G5RD24SL	HP24RS, HP24RO (Drawers Panel Ready)	1056197, 1056598	1056195, 1056596
G5BD24SL	HP24TS, HP24TO (Solid Panel Ready) <i>Tapping Kits Sold Separately</i>	1056130, 1056511, 1056124, 1056126	1056128, 1056512, 1056120, 1056022
G5WR24SL	HP24WS, HP24WO (Solid Panel Ready)	1056130, 1056511, 1056124, 1056126	1056128, 1056512, 1056120, 1056022
G5WR24GL	HP24WS, HP24WO (Glass Panel Ready)	1056129, 1056123, 1056125	1056127, 1056099, 105121
G5WD24SL	HP24DS, HP24DO (Solid Panel Ready)	1056130, 1056511, 1056124, 1056126	1056128, 1056512, 1056120, 1056022
G5WD24GL	HP24DS, HP24DO (Glass Panel Ready)	1056129, 1056123, 1056125	1056127, 1056099, 105121
G5BZ24SL	HP24CS, HP24CO (Solid Panel Ready)	1056130, 1056511, 1056124, 1056126	1056128, 1056512, 1056120, 1056022
G5BZ24GL	HP24CS, HP24CO (Glass Panel Ready)	1056129, 1056123, 1056125	1056127, 1056099, 105121
G5FD24SL	HP24FS, HP24FO (Drawers Panel Ready)	1056197, 1056598	1056195, 1056596
G5DZ24SL	HP24ZS, HP24ZO (Drawers Panel Ready)	1056197, 1056598	1056195, 1056596
G5RE24SC	HC24RB, HC24RO (Solid Panel Ready)	1056130, 1056511, 1056124, 1056126	1056128, 1056512, 1056120, 1056022
G5RE24GC	HC24RB, HC24RO (Glass Panel Ready)	1056129, 1056123, 1056125	1056127, 1056099, 105121
G5BC24SC	HC24BS, HC24BO (Solid Panel Ready)	1056130, 1056511, 1056124, 1056126	1056128, 1056512, 1056120, 1056022
G5BC24GC	HC24BS, HC24BO (Glass Panel Ready)	1056129, 1056123, 1056125	1056127, 1056099, 105121
G5RD24SC	HC24RB, HC24RO (Drawer Panel Ready)	1056197, 1056598	1056195, 1056596
G5BD24SC	HC24TB, HC24TO (Solid Panel Ready) <i>Tapping Kits Sold Separately</i>	1056130, 1056511, 1056124, 1056126	1056128, 1056512, 1056120, 1056022
G5WR24SC	HC24WS, HC24WO (Solid Panel Ready)	1056130, 1056511, 1056124, 1056126	1056128, 1056512, 1056120, 1056022
G5WR24GC	HC24WS, HC24WO (Glass Panel Ready)	1056129, 1056123, 1056125	1056127, 1056099, 105121
G5RE15SL	HP15RS, HP15RO (Solid Panel Ready)	1056644, 1056642, 1056635, 1056631	No option
G5RE15GL	HP15RS, HP15RO (Glass Panel Ready)	1056640, 1056633, 1056629	No option
G5BC15SL	HP15BS, HP15BO (Solid Panel Ready)	1056644, 1056642, 1056635, 1056631	No option
G5BC15GL	HP15BS, HP15BO (Glass Panel Ready)	1056640, 1056633, 1056629	No option
G5RD15SL	HP15RS, HP15RO (Drawer Panel Ready)	1056204, 1056205	No option
G5BD15SL	HP15TS, HP15TO (Solid Panel Ready) <i>Tapping Kits Sold Separately</i>	1056644, 1056642, 1056635, 1056631	No option
G5WR15SL	HP15WS, HP15WO (Solid Panel Ready)	1056644, 1056642, 1056635, 1056631	No option
G5WR15GL	HP15WS, HP15WO (Glass Panel Ready)	1056640, 1056633, 1056629	No option
G5RE24SD	HH24RS, HH24RO (Solid Panel Ready)	1056645, 1056643, 1056636, 1056632	1056639, 1056638, 1056628, 1056626
G5RE24GD	HH24RS, HH24RO (Glass Panel Ready)	1056641, 1056634, 1056630	1056637, 1056627, 1056625
G5BC24SD	HH24BS, HH24BO (Solid Panel Ready)	1056645, 1056643, 1056636, 1056632	1056639, 1056638, 1056628, 1056626
G5BC24GD	HH24BS, HH24BO (Glass Panel Ready)	1056641, 1056634, 1056630	1056637, 1056627, 1056625
G5WR24SD	HH24WS, HH24WO (Solid Panel Ready)	1056645, 1056643, 1056636, 1056632	1056639, 1056638, 1056628, 1056626
G5WR24GD	HH24WS, HH24WO (Glass Panel Ready)	1056641, 1056634, 1056630	1056637, 1056627, 1056625
G5RE24SA	HA24RB (Solid Panel Ready)	1056645, 1056643, 1056636, 1056632	1056639, 1056638, 1056628, 1056626
G5RE24GA	HA24RB (Glass Panel Ready)	1056641, 1056634, 1056630	1056637, 1056627, 1056625
G5BC24SA	HA24BB (Solid Panel Ready)	1056645, 1056643, 1056636, 1056632	1056639, 1056638, 1056628, 1056626
G5BC24GA	HA24BB (Glass Panel Ready)	1056201, 1056202	1056199, 1056200
G5RD24SA	HA24RB (Drawer Panel Ready)	1056641, 1056634, 1056630	1056637, 1056627, 1056625
G5WR24SA	HA24WB (Solid Panel Ready)	1056645, 1056643, 1056636, 1056632	1056639, 1056638, 1056628, 1056626
G5WR24GA	HA24WB (Glass Panel Ready)	1056641, 1056634, 1056630	1056637, 1056627, 1056625
G5FD24SA	HA24FB (Drawer Panel Ready)	1056201, 1056202	1056199, 1056200

*HA24FB-4 (1R,1L, 1RL,1LL, 2R, 2RL, 2L, 2LL)  
Discontinued*

## G5 24" CORE SERIES UNDERCOUNTER MODELS

Crafted with over a century of premier commercial refrigeration expertise, the Perlick G5 collection brings the most innovative refrigeration available into the home—empowering hosts to serve effortlessly, whether for one guest or many.

- High performance undercounter refrigeration, with our fastest-cool down speed yet. Powered by Perlick’s exclusive RAPIDcool™ technology, beverages are chilled quickly and evenly
- Beautifully refined for seamless integration, with a sleek cabinet profile and fully concealed, soft-closing hinges or self-closing drawers
- Designed for indoor and outdoor use, delivering consistent, dependable performance whether in a kitchen, patio, or rooftop terrace.
- Industry-exclusive intuitive Smart Defrost and Smart-Monitoring systems adapt to consumer usage and external environment, to balance frost-free operation with consistent, high performance cooling, while continuously monitoring unit health
- Total Color Control LED Lighting offers 20 curated dimming interior settings—including four distinct white light temperatures (Natural, Cool, Warm, and Ultra-Warm)



G5RE24SC

### G5 24" UNDERCOUNTER CORE SERIES PREMIUM REFRIGERATOR

UMRP

G5RE24SC	G5 24" Solid Door Refrigerator	IN STOCK	\$3,800
G5RE24GC	G5 24" Glass Door Refrigerator	IN STOCK	\$4,100



G5BC24SC

### G5 24" UNDERCOUNTER CORE SERIES PREMIUM BEVERAGE CENTER

UMRP

G5BC24SC	G5 24" Solid Door Beverage Center	IN STOCK	\$4,000
G5BC24GC	G5 24" Glass Door Beverage Center	IN STOCK	\$4,300



G5RD24SC

### G5 24" UNDERCOUNTER CORE SERIES PREMIUM REFRIGERATOR DRAWERS

UMRP

G5RD24SC	G5 24" Refrigerator Drawers	IN STOCK	\$4,900
----------	-----------------------------	----------	---------



G5BD24SC

### G5 24" UNDERCOUNTER CORE SERIES PREMIUM BEVERAGE DISPENSER

UMRP

G5BD24SC	G5 24" Beverage Dispenser	IN STOCK	\$3,900
----------	---------------------------	----------	---------



G5WR24SC

### G5 24" UNDERCOUNTER CORE SERIES PREMIUM WINE RESERVE

UMRP

G5WR24SC	G5 Solid Door Wine Reserve	IN STOCK	\$4,700
G5WR24GC	G5 Glass Door Wine Reserve	IN STOCK	\$5,000



## G5 24" ADA COMPLIANT MODELS

Crafted with over a century of premier commercial refrigeration expertise, the Perlick G5 collection brings the most innovative refrigeration available into the home—empowering hosts to serve effortlessly, whether for one guest or many. G5 units come panel-ready for full design customization, accommodating either custom millwork panels or Perlick stainless-steel panels for a seamless built-in look.

- ADA-Compliant Height
- High performance undercounter refrigeration, with our fastest-cool down speed yet. Powered by Perlick's exclusive RAPIDcool™ technology, beverages are chilled quickly and evenly throughout the cabinet
- Beautifully refined for seamless integration, with a sleek cabinet profile and fully concealed, soft-closing hinges for a clean, uninterrupted aesthetic into surrounding cabinetry
- Designed for indoor and outdoor use, delivering consistent, dependable performance whether in a kitchen, patio, or rooftop terrace—even as conditions shift from warm and humid to cool and dry
- Industry-exclusive intuitive Smart Defrost and Smart-Monitoring systems adapt to consumer usage and external environment, to balance frost-free operation with consistent, high-performance cooling, while continuously monitoring unit health for easy troubleshooting and fast remote support



G5RE24SA

### G5 24" UNDERCOUNTER ADA UNDERCOUNTER REFRIGERATOR UMRP

G5RE24SA	24" G5 ADA Undercounter Refrigerator, Solid Door	<b>IN STOCK</b>	\$3,800
G5RE24GA	24" G5 ADA Undercounter Refrigerator, Glass Door	<b>IN STOCK</b>	\$4,100



G5BC24SA

### G5 24" UNDERCOUNTER ADA UNDERCOUNTER BEVERAGE CENTER UMRP

G5BC24SA	24" G5 ADA Beverage Center, Solid Door	<b>IN STOCK</b>	\$4,000
G5BC24GA	24" G5 ADA Beverage Center, Glass Door	<b>IN STOCK</b>	\$4,300



G5RD24SA

### G5 24" UNDERCOUNTER ADA UNDERCOUNTER REFRIGERATOR DRAWERS UMRP

G5RD24SA	24" G5 ADA Undercounter Refrigerator Drawers	<b>IN STOCK</b>	\$4,900
----------	--	-----------------	---------



G5WR24SA

### G5 24" UNDERCOUNTER ADA UNDERCOUNTER WINE RESERVE UMRP

G5WR24SA	24" G5 ADA Undercounter Wine Reserve, Solid Door	<b>IN STOCK</b>	\$4,700
G5WR24GA	24" G5 ADA Undercounter Wine Reserve, Glass Door	<b>IN STOCK</b>	\$5,000



G5FD24SA

### G5 24" UNDERCOUNTER ADA UNDERCOUNTER FREEZER DRAWERS UMRP

G5FD24SA	24" G5 ADA Undercounter Freezer Drawers	<b>IN STOCK</b>	\$5,400
----------	---	-----------------	---------



- Energy Star  
Qualified Model

**E** - Industry  
Exclusive Model

## 15" G5 LUXE PREMIUM UNDERCOUNTER UNITS

The Luxe Upgrade Package refines the G5 Collection with elevated design details and superior materials that set a new benchmark for undercounter refrigeration. With industry-exclusive 300-series stainless steel exteriors and interior stainless steel shelving for exceptional durability, a precision knurled handle offering a sophisticated tactile finish, and the industry's best 6-year parts and labor warranty, Luxe embodies Perlick craftsmanship at its finest.

- High performance undercounter refrigeration, with our fastest-cool down speed yet, Powered by Perlick's exclusive RAPIDcool™ technology.
- Industry-exclusive 300-series stainless steel interiors and exteriors, engineered for commercial-grade strength and corrosion resistance
- Premium stainless steel and a precision knurled handle, accented with the Perlick legacy emblem, offer a secure grip and timeless design.
- Full-extension stainless steel shelving
- Designed for indoor and outdoor use, delivering consistent, dependable performance whether in a kitchen, patio, or rooftop terrace.
- Industry's best 6-year parts and labor warranty, with 30-day initial quality parts and labor



G5RE15SL

### 15" UNDERCOUNTER G5 LUXE PREMIUM REFRIGERATOR

UMRP

G5RE15SL	G5 Luxe 15" Premium Solid Door Refrigerator	IN STOCK		\$4,800
G5RE15GL	G5 Luxe 15" Premium Glass Door Refrigerator	IN STOCK		\$5,100



G5BC15GL

### 15" UNDERCOUNTER G5 LUXE PREMIUM BEVERAGE CENTER

UMRP

G5BC15SL	G5 Luxe 15" Premium Solid Door Beverage Center	IN STOCK		\$4,800
G5BC15GL	G5 Luxe 15" Premium Glass Door Beverage Center	IN STOCK		\$5,100



G5RD15SL

### 15" UNDERCOUNTER G5 LUXE PREMIUM REFRIGERATOR DRAWERS

UMRP

G5RD15SL	G5 Luxe 15" Premium Refrigerator Drawers	IN STOCK		\$5,500
----------	--	----------	--	---------



G5BD15SL

### 15" UNDERCOUNTER G5 LUXE PREMIUM BEVERAGE DISPENSER

UMRP

G5BD15SL	G5 Luxe 15" Premium Beverage Dispenser	IN STOCK		\$4,500
----------	--	----------	--	---------



G5WR15GL

### 15" UNDERCOUNTER G5 LUXE PREMIUM WINE RESERVE

UMRP

G5WR15SL	G5 Luxe 15" Premium Solid Door Wine Reserve	IN STOCK		\$5,200
G5WR15GL	G5 Luxe 15" Premium Glass Door Wine Reserve	IN STOCK		\$5,500

## 24" PREMIUM G5 LUXE UNDERCOUNTER UNITS

The Luxe Upgrade Package refines the G5 Collection with elevated design details and superior materials that set a new benchmark for undercounter refrigeration. With industry-exclusive 300-series stainless steel exteriors and interior stainless steel shelving for exceptional durability, a precision knurled handle offering a sophisticated tactile finish, and the industry's best 6-year parts and labor warranty, Luxe embodies Perlick craftsmanship at its finest.

- High performance undercounter refrigeration, with our fastest-cool down speed yet, Powered by Perlick's exclusive RAPIDcool™ technology.
- Industry-exclusive 300-series stainless steel interiors and exteriors, engineered for commercial-grade strength and corrosion resistance
- Premium stainless steel and a precision knurled handle, accented with the Perlick legacy emblem, offer a secure grip and timeless design.
- Full-extension stainless steel shelving
- Designed for indoor and outdoor use, delivering consistent, dependable performance whether in a kitchen, patio, or rooftop terrace.
- Industry's best 6-year parts and labor warranty, with 30-day initial quality parts and labor



G5RE24SL

### 24" UNDERCOUNTER G5 LUXE PREMIUM REFRIGERATOR

UMRP

G5RE24SL	G5 Luxe 24" Premium Solid Door Refrigerator	IN STOCK		\$5,000
G5RE24GL	G5 Luxe 24" Premium Glass Door Refrigerator	IN STOCK		\$5,300



G5BC24SL

### 24" UNDERCOUNTER G5 LUXE PREMIUM BEVERAGE CENTER

UMRP

G5BC24SL	G5 Luxe 24" Premium Solid Door Beverage Center	IN STOCK		\$5,000
G5BC24GL	G5 Luxe 24" Premium Glass Door Beverage Center	IN STOCK		\$5,300



G5RD24SL

### 24" UNDERCOUNTER G5 LUXE PREMIUM REFRIGERATOR DRAWERS

UMRP

G5RD24SL	G5 Luxe 24" Premium Refrigerator Drawers	IN STOCK		\$5,700
----------	--	----------	--	---------



G5BD24SL

### 24" UNDERCOUNTER G5 LUXE PREMIUM BEVERAGE DISPENSER

UMRP

G5BD24SL	G5 Luxe 24" Premium Beverage Dispenser	IN STOCK		\$4,700
----------	--	----------	--	---------



# PERLICK G5 LUXE SERIES



G5WR24SL

## 24" UNDERCOUNTER G5 LUXE PREMIUM WINE RESERVE

			UMRP
G5WR24SL	G5 Luxe 24" Premium Solid Door Wine Reserve	<b>IN STOCK</b>	\$5,500
G5WR24GL	G5 Luxe 24" Premium Glass Door Wine Reserve	<b>IN STOCK</b>	\$5,800



G5WD24SL

## 24" UNDERCOUNTER G5 LUXE PREMIUM DUAL ZONE WINE RESERVE

			UMRP
G5WD24SL	G5 Luxe 24" Premium Solid Door Dual Zone Wine Reserve	<b>IN STOCK</b>	\$6,000
G5WD24GL	G5 Luxe 24" Premium Glass Door Dual Zone Wine Reserve	<b>IN STOCK</b>	\$6,300



G5BZ24SL

## 24" UNDERCOUNTER G5 LUXE PREMIUM DUAL ZONE WINE RESERVE/REFRIGERATOR

			UMRP
G5BZ24SL	G5 Luxe 24" Premium Solid Door Dual Zone Wine Reserve / Refrigerator	<b>IN STOCK</b>	\$6,000
G5BZ24GL	G5 Luxe 24" Premium Glass Door Dual Zone Wine Reserve / Refrigerator	<b>IN STOCK</b>	\$6,300



G5FD24SL

## 24" UNDERCOUNTER G5 LUXE PREMIUM FREEZER DRAWERS

			UMRP
G5FD24SL	G5 Luxe 24" Premium Freezer Drawers	<b>IN STOCK</b>	\$6,200



G5DZ24SL

## 24" UNDERCOUNTER G5 LUXE PREMIUM REFRIGERATOR/FREEZER DRAWERS

			UMRP
G5DZ24SL	G5 Luxe 24" Premium Dual Zone Refrigerator / Freezer Drawers	<b>IN STOCK</b>	\$7,000



- Energy Star  
Qualified Model

## 24" G5 SHALLOW ADA LUXE PREMIUM UNDERCOUNTER UNITS

The Luxe Upgrade Package refines the G5 Collection with elevated design details and superior materials that set a new benchmark for undercounter refrigeration. With industry-exclusive 300-series stainless steel exteriors and interior stainless steel shelving for exceptional durability, a precision knurled handle offering a sophisticated tactile finish, and the industry's best 6-year parts and labor warranty, Luxe embodies Perlick craftsmanship at its finest.

- Shallow Depth, ADA-Compliant Height
- High performance undercounter refrigeration, with our fastest-cool down speed yet, Powered by Perlick's exclusive RAPIDcool™ technology.
- Industry-exclusive 300-series stainless steel interiors and exteriors, engineered for commercial-grade strength and corrosion resistance
- Premium stainless steel and a precision knurled handle, accented with the Perlick legacy emblem, offer a secure grip and timeless design.
- Full-extension stainless steel shelving
- Designed for indoor and outdoor use, delivering consistent, dependable performance whether in a kitchen, patio, or rooftop terrace.
- Industry's best 6-year parts and labor warranty, with 30-day initial quality parts and labor



G5RE24SD

### 24" G5 SHALLOW ADA LUXE PREMIUM UNDERCOUNTER REFRIGERATOR

UMRP

G5RE24SD	G5 Luxe 24" Shallow ADA Premium Solid Door Refrigerator	<b>IN STOCK</b>	\$5,000
G5RE24GD	G5 Luxe 24" Shallow ADA Premium Glass Door Refrigerator	<b>IN STOCK</b>	\$5,300



G5BC24SD

### 24" G5 SHALLOW ADA LUXE PREMIUM BEVERAGE CENTER

UMRP

G5BC24SD	G5 Luxe 24" Shallow ADA Premium Solid Door Beverage Center	<b>IN STOCK</b>	\$5,000
G5BC24GD	G5 Luxe 24" Shallow ADA Premium Glass Door Beverage Center	<b>IN STOCK</b>	\$5,300



G5WR24SD

### 24" G5 SHALLOW ADA LUXE PREMIUM WINE RESERVE

UMRP

G5WR24SD	G5 Luxe 24" Shallow ADA Premium Solid Door Wine Reserve	<b>IN STOCK</b>	\$5,500
G5WR24GD	G5 Luxe 24" Shallow ADA Premium Glass Door Wine Reserve	<b>IN STOCK</b>	\$5,800



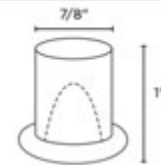
- Energy Star  
Qualified Model

## 15" CLEAR ICE MAKERS INDOOR/OUTDOOR HP15CI

A beverage is only as good as the ice that keeps it cold. That's why Perlick's clear ice makers produce unique, top hat-shaped ice. Not only is it attractive, but it also ensures that each and every cube is free of impurities. NSF-approved.

- Produces 51 lbs of clear ice per 24 hours
- Storage capacity of 22 lbs of clear ice
- Top hat-shaped ice
- Indoor/outdoor model
- Ice scoop included
- Optional stainless steel toe kick available
- Factory installed drain pump
- Full 2-year warranty
- Dimensions: 15"W x 23"D x 33-1/2"H

Top Hat Shaped Cubes



Ample Storage for 22 lbs of Ice



NSF Approved



HP15CI-L

### 15" UNDERCOUNTER CLEAR ICE MAKER INDOOR/OUTDOOR

UMRP

HP15CI-L	Clear Ice Maker with pump- stainless steel solid door, hinge left	<b>IN STOCK</b>	\$5,510
HP15CI-R	Clear Ice Maker with pump- stainless steel solid door, hinge right	<b>IN STOCK</b>	\$5,510
HP15CI-W	Clear Ice Maker with pump- panel-ready solid door, hinge reversible	<b>IN STOCK</b>	\$5,510



HA15CI-L

### 15" UNDERCOUNTER ADA CLEAR ICE MAKER INDOOR/OUTDOOR

UMRP

HA15CI-L	ADA Clear Ice Maker with pump- stainless steel solid door, hinge left	<b>IN STOCK</b>	\$5,510
HA15CI-R	ADA Clear Ice Maker with pump- stainless steel solid door, hinge right	<b>IN STOCK</b>	\$5,510
HA15CI-W	ADA Clear Ice Maker with pump- panel-ready solid door, hinge reversible	<b>IN STOCK</b>	\$5,510



- Energy Star  
Qualified Model

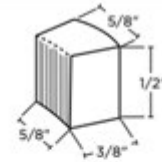
**E** - Industry  
Exclusive Model

## 15" CUBELET ICE MAKERS INDOOR/OUTDOOR HP15CU

Perlick's cubelet ice maker produces chewable, nugget-shaped ice. This ice is compacted to easily absorb the flavors of the beverages you pour over it and makes it easy to crunch. It's the perfect addition to any indoor or outdoor entertainment space.

- Produces 80 lbs of clear ice per 24 hours
- Storage capacity of 22 lbs of clear ice
- Cubelet-shaped ice
- Indoor/outdoor model
- Ice scoop included
- Optional stainless steel toe kick available
- Factory installed drain pump
- Full 2-year warranty
- Dimensions: 15"W x 23"D x 33-1/2"H

Pellet/Nugget Shaped Cubes



Ample Storage for 22 lbs of Ice



NSF Approved



HP15CU-L

### 15" UNDERCOUNTER CUBELET ICE MAKER INDOOR/OUTDOOR

UMRP

HP15CU-L	Cubelet Ice Maker with pump- stainless steel solid door, hinge left	<b>IN STOCK</b>	\$5,830
HP15CU-R	Cubelet Ice Maker with pump- stainless steel solid door, hinge right	<b>IN STOCK</b>	\$5,830
HP15CU-W	Cubelet Ice Maker with pump- panel-ready solid door, hinge reversible	<b>IN STOCK</b>	\$5,830



HA15CU-L

### 15" UNDERCOUNTER ADA CUBELET ICE MAKER INDOOR/OUTDOOR

UMRP

HA15CU-L	ADA Cubelet Ice Maker with pump- stainless steel solid door, hinge left	<b>IN STOCK</b>	\$5,830
HA15CU-R	ADA Cubelet Ice Maker with pump- stainless steel solid door, hinge right	<b>IN STOCK</b>	\$5,830
HA15CU-W	ADA Cubelet Ice Maker with pump- panel-ready solid door, hinge reversible	<b>IN STOCK</b>	\$5,830



- Energy Star  
Qualified Model

E - Industry  
Exclusive Model



## 70" TOBIN ELLIS SIGNATURE SERIES MOBILE BAR RMB

The Tobin Ellis Signature Series Mobile Bar will help you elevate your home entertaining experience and transform into a mixologist through design with high-end home entertaining in mind.

- Easily move the bar anywhere inside or outside of your home for expanding your upscale home entertaining needs
- Two drainboards, insulated bottle well, insulated ice chest, and bottle rail
- Available in 46", 70" with 2 drainboards, and 70" with hand sink configurations

### All Tobin Ellis Signature Series Mobile Bars feature:

- Black laminate exterior with white quartz engineered solid surface top
- Ample lower storage area for glasses, dry goods, canned goods, or beverages
- LED task lighting for operating in the evening and low light settings
- 42" Stainless speed rail that holds up to 20 standard liquor bottles
- 30" Insulated ice chest with sliding cover to store plenty of ice for any occasion
- 12" insulated bottle well to store juices, syrups, mix, etc. in ice to keep chilled for serving
- Ice melt drainage tank to capture and easily remove draining water
- Locking 5" 304 stainless steel casters, for corrosion resistance, with polyurethane tread



White Laminate Engineered Surface



Optional Sink and Drainboard

NSF Approved



RMB-002



RMB-003

### 70" TOBIN ELLIS SIGNATURE SERIES MOBILE BAR INDOOR/OUTDOOR

UMRP

RMB-002	70" Tobin Ellis Signature Series Mobile Bar: one drainboard, bottle well, ice chest, bottle rail, hand wash sink, hot water heater	\$21,924
RMB-003	70" Tobin Ellis Signature Series Mobile Bar: two drainboards, bottle well, ice chest, and bottle rail	\$18,596



RMB-004

### 46" TOBIN ELLIS SIGNATURE SERIES MOBILE BAR INDOOR/OUTDOOR

UMRP

RMB-004	Tobin Ellis Signature Series Mobile Bar - 46": Bottle well, ice chest, and bottle well	\$13,566
---------	---	----------

## 70" TOBIN ELLIS SIGNATURE SERIES MOBILE BAR RMB

### Perlick's Tobin Ellis Signature Series Residential Mobile Bars

bring the best designs featured at the world's top bars and restaurants to the comfort of your own home! Perlick's line of mobile bars will elevate your home entertaining experience while making you feel like a professional mixologist utilizing our "bartender cockpit" design and luxury finishes.

- Luxury finishing with **eco-friendly recycled leather in Toffee Crocodile** complementing the chic **off-white Vanilla Sugar** solid surface bar top with custom smooth, rounded edges and corners for added comfort
- The bar counter features an **extra large inlaid 8" work board in a beautiful antique copper finish**, enhancing the grandeur aesthetic while keeping the bar surface clean and free of drips and spills
- Extend your celebrations into the night with **undercounter LED task lighting** so you can continue toasting with friends in low light settings
- Adds **ultimate flexibility**: move the Limited Edition Mobile Bar to your outdoor entertaining space for a patio party, then move back indoors to store
- Add ample capacity for any size soiree: capable of storing **up to 27 liters, 36 pieces of glassware, 40 cans or bottles of soda/beer, 3 types of ice, and more** depending on set up - all hidden from your guests' line of sight so they can focus on your beautiful setting.



NSF-Approved



### 70" TOBIN ELLIS SIGNATURE SERIES LIMITED EDITION MOBILE BAR INDOOR/OUTDOOR

UMRP

RMB-001	70" Tobin Ellis Signature Series Limited Edition Mobile Bar: two drainboards, bottle well, ice chest, and bottle rail	\$23,804
---------	---	----------



RMB-001  
Inside view



RMB-001  
Top view



RMB-001  
Front view



Eco-friendly toffee  
crocodile recycled leather

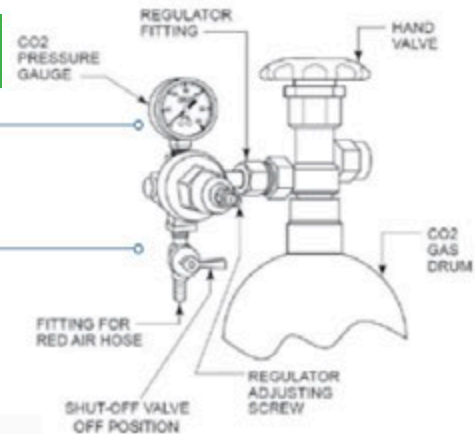
## 24" MOBILE TAP HP24TS

### BEER BASICS - TROUBLESHOOTING INFO

When you're expecting a full-bodied brew, a foamy or flat beer just won't do. If you experience excessive foam or no foam at all, chances are there is a quick and easy fix that will get you back to pouring the perfect beer in no time. Below are some of the most common beer dispenser problems and their solutions.

#### PROBLEM: No beer is coming out of the tap

- **Check the gauge** to see if there is any pressure showing. It should read between 10-12 lbs. If not, your CO2 tank may be empty.
- **Is the shut-off valve in the vertical (on) position?**  
*Note: Diagram shows the valve in the off position (horizontal).*



#### PROBLEM: Flat beer

- **Check the gauge.** Is the pressure between 10-12 lbs? If not, turn the pressure up to its appropriate level. Low pressure can cause beer to flatten and pour slowly.
- **Dirty glassware will cause the head on a beer to quickly disappear.** Make sure your glassware is free of impurities before pouring.



#### PROBLEM: Foamy beer

- **Check the gauge.** Is the pressure between 10-12 lbs? If not, turn the pressure down to its appropriate level. Pressure that is too high can cause beer to overcarbonate in the keg and pour foamy.
- **Is the unit plugged in and cold?** Is the keg cold or, if purchased at room temperature, has it been in the dispenser for at least 24 hours? Attempting to tap a warm keg in a refrigerated unit will cause excessive foaming. Keep the temperature in the unit 36°-42°F, and make sure the keg is properly chilled before tapping.
- **Have you cleaned the equipment lately?** Regular cleaning of the system - from faucet to keg coupler - is important to keep beer stone, bacteria, and mold from building up. The factors listed above can quickly ruin a perfect brew!

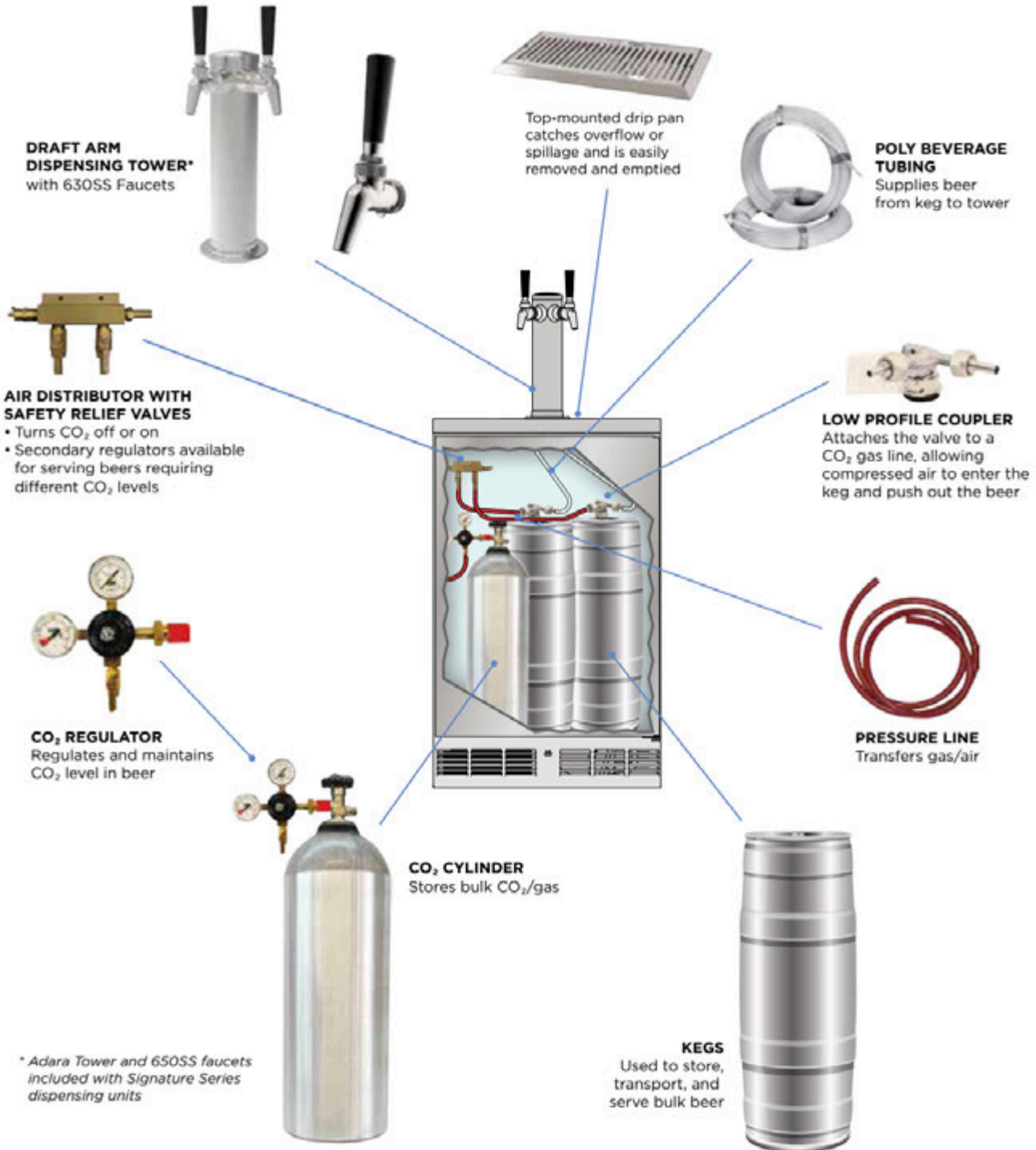
36°-42°F



## 24" MOBILE TAP HP24TS

### HOW IT WORKS

- Dispensing heads are attached directly to or just above the refrigerator
- The number of beverages corresponds to the size of your refrigeration unit
- A 24" refrigerator holds two 1/6-barrel kegs, while a 15" unit holds one



## 24" MOBILE TAP HP24TS

### PERLICK MOBILE TAP

Superior dispensing equipment paired with premium, commercial-grade refrigeration offers the ultimate combination for a durable and reliable system you can trust to deliver the perfect pour.

- **Two-faucet draft arm dispenses the following combinations of beverages:**
  - Nitro and cold brew coffee or wine
  - Beer and wine
  - Two varieties of wine
  - Two varieties of beer
- Kit includes a 24" refrigeration unit, two-faucet draft arm, all dispensing equipment, and casters for ease of mobility
- Forced-air refrigeration technology ensures consistent temperature throughout the entire keg and tower, maintaining flavor and minimizing foam
- Quick disconnect kegs included with HP24TS-2MNC
- Includes two low profile couplers (HP24TS-2MNC includes one coupler and two sets of quick disconnects with kegs)
- Large, easy-to-move casters offer flexibility to move the dispensing unit where needed
- Locking refrigeration door prevents tampering with components and beverages inside the unit



NSF-Approved



HP24TS-2MBW  
HP24TS-2MWW  
HP24TS-2MBB



HP24TS-2MNC  
Inside View of  
Nitro Coffee or Wine

**TAP ACCESSORIES**

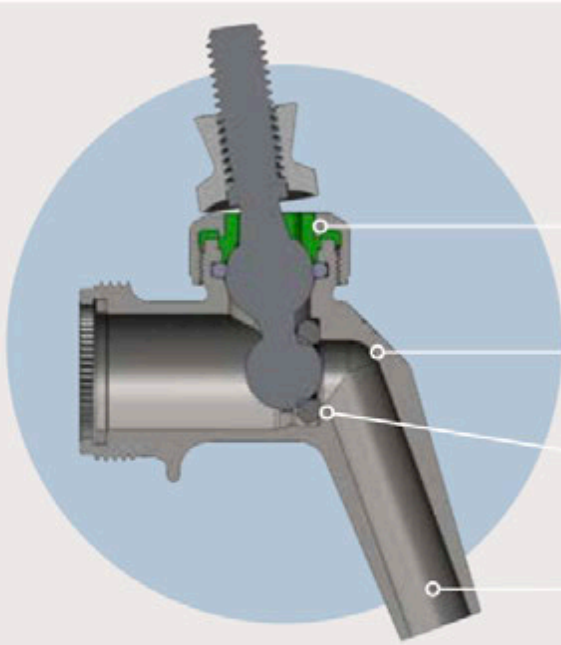
**WITH FORWARD SEALING FAUCETS,  
YOU'LL NEVER LOOK BACK**

- 304 stainless steel construction won't pit or tarnish
- The flavor of the beverage will not be tainted
- Patented forward sealing design eliminates the need for a valve shaft exposed to beer and air
- Spout angle is more vertical, allowing more thorough draining after each pour
- No horizontal area for beer to collect
- NSF-approved



Perlick's patented, forward sealing design eliminates the need for a valve shaft exposed to beer and air.

## TAP ACCESSORIES



### THE **MOST SANITARY** BEVERAGE FAUCET EVER!

- 1. Available for domestic or imported kegs**  
Supports the o-ring to maintain a positive seal and provide smooth tracking of the handle
- 2. 304 sanitary stainless steel for all parts that contact product**  
Protects flavor of beer or wine
- 3. Floating front seal**  
Features a contoured profile to provide enhanced surface contact for a positive seal
- 4. Spout angle is more vertical**
  - Provides for better pour and draining
  - Drop off begins just beyond the o-ring; no flat area for beer to collect

### LOW PROFILE COUPLER

- Available for domestic or imported kegs
- Space-saving design and flexibility
- Beverage contact areas are 304 stainless steel, making the couplers suitable for any beverage
- Easy to operate; lowest height
- Perlick's low profile couplers will fit the majority of domestic and imported beers

*\*There are some exceptions on imported brands, so please ensure you check with your supplier on the coupler style before purchasing.*



## TAP ACCESSORIES

### COFFEE DISPENSING KIT

- Kit includes the single nitrogen infuser and all necessary components to dispense nitro cold brew coffee from a Perlick refrigerator
- The kit now includes a stout faucet, allowing you to achieve the proper, creamy nitro coffee pour
- Also included is a secondary regulator, which allows for pouring a second beverage pushed with the same gas source
- Kegs sold separately as part number RS-25KG



RS-NDK installed in HP24 unit

### COFFEE DISPENSING KITS

		UMRP
RS-NDK	Perlick Nitro Dispensing Kit, Single Infuser	\$2,740
RS-CDK	Iced Coffee Dispensing Kit (includes parts, connections and nitrogen regulator)	\$710

- Kit includes all necessary components to dispense cold brew coffee from a Perlick refrigerator
- Kegs sold separately as part number RS-25KG
- For nitro cold brew, please see part RS-NDK

### BEER/COFFEE DISPENSER ACCESSORIES (HP15, HP24, HC24 MODELS) - TAPPING KITS



		UMRP
66585-1	Single Faucet Draft Arm Tapping Kit	<b>IN STOCK</b> \$1,530
66585-2	Two Faucet Tapping Kit (if sold separately)	<b>IN STOCK</b> \$2,010
69862-1	Single Faucet Adara Tapping Kit	<b>IN STOCK</b> \$1,660
69862-2	Two Faucet Adara Tapping Kit	<b>IN STOCK</b> \$2,190

### BEVERAGE FAUCETS



		UMRP
630SS	Stainless Steel Forward Sealing Beer Faucet	\$120
630SSTF	Stainless steel forward sealing faucet with tarnish-free brass exterior	\$130
650SS	Stainless steel forward sealing faucet with flow control	\$160
63927	Stout Faucet- Brass, chrome plated body, stainless steel spout	\$330
63928	Stout Faucet- Brass, gold tone, tarnish-free body, stainless steel spout	\$330



### KEG COUPLERS



		UMRP
40030SSLD	Keg Coupler- Low profile, D-style domestic	\$240
40030SSLS	Lo-Boy Stainless Steel "S" Series Keg Coupler	\$240



- Energy Star  
Qualified Model

E - Industry  
Exclusive Model

## ACCESSORIES

Choose from a wide array of accessories to further customize your Perlick undercounter refrigeration. Whether matching surrounding cabinetry with wood wine fronts, getting your Perlick party-ready with a martini rack, or purchasing products for routine maintenance, Perlick has all the accessories to meet your storage and lifestyle needs

- Choose from a variety of shelving options to store your favorite products
- Create modular column-style refrigeration with stacking kits to create a flush look between two units
- Replace stainless steel wine fronts with unfinished wood fronts that can be stained to match surrounding cabinetry
- Make any Perlick mobile with an easy-to-install caster kit
- Pour more varieties of beer with a low profile S-Series keg coupler.
- S-series couplers allow you to pour popular European brands such as: Heineken, StellaArtois, and Newcastle



67964

### SHELVING/DRAWER ACCESSORIES

		UMRP
67964	24" Stainless Steel Drawer Dividers (3/pk)	\$140

## COLUMN ACCESSORIES

### PANELS

		UMRP
CR-SG-30PDL4	30" Stainless Steel Glass Door Panel for 4" Toe Kick, Left Hinge w/ Perlick Two Tone Handle	\$1,180
CR-SG-30PDR4	30" Stainless Steel Glass Door Panel for 4" Toe Kick, Right Hinge w/Perlick Two Tone Handle	\$1,180
CR-SG-30PDL6	30" Stainless Steel Glass Door Panel for 6" Toe Kick, Left Hinge w/ Perlick Two Tone Handle	\$1,180
CR-SG-30PDR6	30" Stainless Steel Glass Door Panel for 6" Toe Kick, Right Hinge w/Perlick Two Tone Handle	\$1,180
CR-ACC-24SEPL	Factory Installed Stainless Steel Exterior Finishing Panel, Left Side	\$390
CR-ACC-24SEPR	Factory Installed Stainless Steel Exterior Finishing Panel, Right Side	\$390

## ICEMAKER ACCESSORIES

### ICE MAKER ACCESSORIES (H50/H80 MODELS)

		UMRP
67282	Optional Stainless Steel Toe Kick for H50 and H80C Ice Makers (includes SS grille and SS screws)	\$140



- Energy Star  
Qualified Model

**E** - Industry  
Exclusive Model

UNDERCOUNTER ACCESSORIES

PANELS		UMRP
CR-SG-30PDL4	30" Stainless Steel Glass Door Panel for 4" Toe Kick, Left Hinge w/Perlick Two Tone Handle	\$1,180
CR-SG-30PDR4	30" Stainless Steel Glass Door Panel for 4" Toe Kick, Right Hinge w/Perlick Two Tone Handle	\$1,180
CR-SG-30PDL6	30" Stainless Steel Glass Door Panel for 6" Toe Kick, Left Hinge w/Perlick Two Tone Handle	\$1,180
CR-SG-30PDR6	30" Stainless Steel Glass Door Panel for 6" Toe Kick, Right Hinge w/Perlick Two Tone Handle	\$1,180
CR-ACC-24SEPL	Factory Installed Stainless Steel Exterior Finishing Panel, Left Side	\$390
CR-ACC-24SEPR	Factory Installed Stainless Steel Exterior Finishing Panel, Right Side	\$390



OTHER ACCESSORIES		UMRP
2928F	Primary CO2 regulator	\$250
26161E	Secondary regulator	\$230
RS-NCY	Nitrogen Cylinder, Aluminum 244 cu/in Internal Volume	\$220
RS-25KG	2.5 gallon standard keg	\$430
67782	Drip Pan, Beer Dispensers	\$220
63797	Beer Dispenser Cleaning Kit	\$250
BLC4	Beer Dispenser Sanitizer, 4 oz. Bottle	\$20
BLC32	Beer Dispenser Sanitizer, 32 oz. Bottle	\$40
67141-1	Perlick Faucet Handle	\$120
63929	Sulli plugs for forward sealing faucets	\$20
40106	Beer mechanic's wrench	\$60
GT600	Growler filler tube	\$30
CR-ACC-2401	Standard Door Bin (Glass Front) for CR24R & CR30R models	\$310
CR-ACC-2402	Divider, Tip Out Produce Bin for CR24R & CR30R models	\$80
CR-ACC-2403	Divider, Meat/Fish Drawer for CR24R & CR30R models	\$70
CR-ACC-2404	Standard Door Bin (Solid Front) for CR24F models	\$270
CR-ACC-3001	Standard Door Bin (Glass Front) for CR30R models	\$390

OVERLAY

TWO-TONE HANDLE OVERLAY - G5 MODELS		UMRP
1056122	24" Two-Tone Handle Overlay, Solid, Left, Locking	<b>IN STOCK</b> \$400
1056120	24" Two-Tone Handle Overlay, Solid, Right, Locking	<b>IN STOCK</b> \$400
1056121	24" Two-Tone Handle Overlay, Glass, Left, Locking	<b>IN STOCK</b> \$400
1056099	24" Two-Tone Handle Overlay, Glass, Right, Locking	<b>IN STOCK</b> \$400
1056128	24" Two-Tone Handle Overlay, Solid, Right, No Lock	<b>IN STOCK</b> \$370
1056127	24" Two-Tone Handle Overlay, Glass, Reversible, No Lock	<b>IN STOCK</b> \$370
1056512	24" Two-Tone Handle Overlay, Solid, Left, No Lock	<b>IN STOCK</b> \$370
1056195	24" Two-Tone Handle Overlay, Solid, Drawer Set, No Lock	<b>IN STOCK</b> \$780
1056196	24" Two-Tone Handle Overlay, Solid, Drawer Set, Locking	<b>IN STOCK</b> \$810
1056637	24" ADA Two-Tone Handle Overlay, Glass, Reversible, No Lock	<b>IN STOCK</b> \$370
1056639	24" ADA Two-Tone Handle Overlay, Solid, Left, No Lock	<b>IN STOCK</b> \$370
1056638	24" ADA Two-Tone Handle Overlay, Solid, Right, No Lock	<b>IN STOCK</b> \$370
1056628	24" ADA Two-Tone Handle Overlay, Solid, Left, Locking	<b>IN STOCK</b> \$400
1056626	24" ADA Two-Tone Handle Overlay, Solid, Right, Locking	<b>IN STOCK</b> \$400
1056627	24" ADA Two-Tone Handle Overlay, Glass, Left, Locking	<b>IN STOCK</b> \$400
1056625	24" ADA Two-Tone Handle Overlay, Glass, Right, Locking	<b>IN STOCK</b> \$400
1056199	24" ADA Two-Tone Handle Overlay, Solid, Drawer Set, No Lock	<b>IN STOCK</b> \$780
1056200	24" ADA Two-Tone Handle Overlay, Solid, Drawer Set, Locking	<b>IN STOCK</b> \$810

## OVERLAY CONTINUED

### PREMIUM KNURL OVERLAY - G5 LUXE MODELS

		UMRP
1056640	15" Premium Knurl Overlay, Glass, Reversible, No Lock	<b>IN STOCK</b> \$400
1056644	15" Premium Knurl Overlay, Solid, Left, No Lock	<b>IN STOCK</b> \$400
1056642	15" Premium Knurl Overlay, Solid, Right, No Lock	<b>IN STOCK</b> \$400
1056635	15" Premium Knurl Overlay, Solid, Left, Locking	<b>IN STOCK</b> \$420
1056631	15" Premium Knurl Overlay, Solid, Right, Locking	<b>IN STOCK</b> \$420
1056633	15" Premium Knurl Overlay, Glass, Left, Locking	<b>IN STOCK</b> \$420
1056629	15" Premium Knurl Overlay, Glass, Right, Locking	<b>IN STOCK</b> \$420
1056204	15" Premium Knurl Overlay, Solid, Drawer Set, No Lock	<b>IN STOCK</b> \$820
1056205	15" Premium Knurl Overlay, Solid, Drawer Set, Locking	<b>IN STOCK</b> \$850
1056129	24" Premium Knurl Overlay, Glass, Reversible, No Lock	<b>IN STOCK</b> \$460
1056511	24" Premium Knurl Overlay, Solid, Left, No Lock	<b>IN STOCK</b> \$460
1056130	24" Premium Knurl Overlay, Solid, Reversible, No Lock	<b>IN STOCK</b> \$460
1056126	24" Premium Knurl Overlay, Solid, Left, Locking	<b>IN STOCK</b> \$490
1056124	24" Premium Knurl Overlay, Solid, Right, Locking	<b>IN STOCK</b> \$490
1056125	24" Premium Knurl Overlay, Glass, Left, Locking	<b>IN STOCK</b> \$490
1056123	24" Premium Knurl Overlay, Glass, Right, Locking	<b>IN STOCK</b> \$490
1056197	24" Premium Knurl Overlay, Solid, Drawer Set, No Lock	<b>IN STOCK</b> \$960
1056198	24" Premium Knurl Overlay, Solid, Drawer Set, Locking	<b>IN STOCK</b> \$990
1056641	24" ADA Premium Knurl Overlay, Glass, Reversible, No Lock	<b>IN STOCK</b> \$460
1056645	24" ADA Premium Knurl Overlay, Solid, Left, No Lock	<b>IN STOCK</b> \$460
1056643	24" ADA Premium Knurl Overlay, Solid, Right, No Lock	<b>IN STOCK</b> \$460
1056636	24" ADA Premium Knurl Overlay, Solid, Left, Locking	<b>IN STOCK</b> \$490
1056632	24" ADA Premium Knurl Overlay, Solid, Right, Locking	<b>IN STOCK</b> \$490
1056634	24" ADA Premium Knurl Overlay, Glass, Left, Locking	<b>IN STOCK</b> \$490
1056630	24" ADA Premium Knurl Overlay, Glass, Right, Locking	<b>IN STOCK</b> \$490
1056201	24" ADA Premium Knurl Overlay, Solid, Drawer Set, No Lock	<b>IN STOCK</b> \$960
1056202	24" ADA Premium Knurl Overlay, Solid, Drawer Set, Locking	<b>IN STOCK</b> \$990

## KIT ACCESSORIES

### HANDLE KIT

		UMRP
1056822	Kit, Accessory, Handle, Door, Knurled, UC, G5	\$300
1056824	24" Kit, Accessory, Handle, Drawer, Knurled, UC, G5	\$450
1056825	15" Kit, Accessory, Handle, Drawer, Knurled, UC, G5	\$400
1056826	Kit, Accessory, Handle, Door, Two-Tone, UC, G5	\$200
1056827	24" Kit, Accessory, Handle, Drawer, Two-Tone, UC, G5	\$300

### SHELF KIT

		UMRP
1056358	24' Kit, Shelf, Coated Wire, Low Temp, UC, G5	\$340
1056371	24" Kit, Shelf, Welded SS, UC, G5	\$450
1056372	24" Kit, Shelf, Wine, UC, G5	\$340
1056373	24" Kit, Shelf, Coated Wire, Med Temp, UC, G5	\$340
1056375	24" Kit, Shelf, Welded Ss, Shallow Depth, UC, G5	\$340
1056376	24" Kit, Shelf, Coated Wire, Shallow Depth, UC, G5	\$340
1056377	24" Kit, Shelf, Wine, Shallow Depth, UC, G5	\$340
1056381	15" Kit, Shelf, Welded Ss, UC, G5	\$440
1056382	15" Kit, Shelf, Wine, UC, G5	\$330

## PERLICK CORPORATION - RESIDENTIAL REFRIGERATION LIMITED WARRANTY

### Undercounter Refrigeration Produced 1/4/21 or later (HP, HH HA, & HC Series Models)

#### SIX-YEAR PARTS & LABOR WARRANTY\*

For undercounter refrigeration, purchased 1/4/2021 or later, PERLICK warrants to the original purchaser of every new PERLICK refrigerated unit, the cabinet and all parts thereof, to be free from defects in material or workmanship under normal and proper use and maintenance as specified by PERLICK and upon proper installation and start-up in accordance with the Use & Care Guide supplied with each PERLICK unit. PERLICK'S obligation under this warranty is limited to a period of six (6) years from the date of original installation or seventy-five (75) months after shipment date from PERLICK, whichever occurs first. For warranty validation, be sure to properly register your unit at perlick.com.

### Undercounter Ice Makers (H50 & H80 Series)

#### TWO YEAR PARTS & LABOR WARRANTY\*

For Ice Makers, PERLICK warrants to the original purchaser of every new PERLICK refrigerated unit, the cabinet and all parts thereof, to be free from defects in material or workmanship under normal and proper use and maintenance as specified by PERLICK and upon proper installation and start-up in accordance with the Use & Care Guide supplied with each PERLICK unit. PERLICK'S obligation under this warranty is limited to a period of two (2) years from the date of original installation or twenty-seven (27) months after shipment date from PERLICK, whichever occurs first.\*\* The optional Perlick drain pump carries a one year parts and labor warranty. The warranty period begins on the installation date of the drain pump. For warranty validation, be sure to properly register your unit at perlick.com.

### Column Refrigeration (CR Series)

#### THREE-YEAR PARTS & LABOR WARRANTY\*

For Column Refrigeration, PERLICK warrants to the original purchaser of every new PERLICK refrigerated unit, the cabinet and all parts thereof, to be free from defects in material or workmanship under normal and proper use and maintenance as specified by PERLICK and upon proper installation and start-up in accordance with the Use & Care Guide supplied with each PERLICK unit. PERLICK'S obligation under this warranty is limited to a period of six (3) years from the date of original installation or thirty-nine (39) months after shipment date from PERLICK, whichever occurs first. For warranty validation, be sure to properly register your unit at perlick.com.

#### SIX-YEAR PARTS & LABOR SEALED SYSTEM WARRANTY\*

For Column Refrigeration, Perlick warrants to the original purchaser, its hermetically sealed system in material or workmanship under normal and proper use and maintenance as specified by PERLICK and upon proper installation and start-up in accordance with the Use & Care Guide supplied with each PERLICK unit: compressor, condenser, drier, connecting tubing, evaporator, and hot gas bypass valve; to be free from defects in both material and workmanship under normal and proper use and maintenance service for a period of twelve (6) years from the date of original installation but not to exceed twelve (6) years and three (3) months after shipment from the manufacturer, whichever occurs first.

#### TWELVE YEAR SEALED SYSTEM WARRANTY - PARTS ONLY\*

For Column Refrigeration, Perlick warrants, to the original purchaser, its hermetically sealed system: compressor, condenser, drier, connecting tubing, evaporator, and hot gas bypass valve; to be free from defects in both material and workmanship under normal and proper use and maintenance service for a period of twelve (12) years from the date of original installation but not to exceed twelve (12) years and three (3) months after shipment from the manufacturer, whichever occurs first.

#### ONE YEAR FULL BEVERAGE DISPENSING EQUIPMENT PARTS & LABOR WARRANTY

For beverage dispensing equipment PERLICK warrants to the original purchaser of every new PERLICK dispensing component to be free from defects in material or workmanship under normal and proper use and maintenance as specified by PERLICK and upon proper installation and start-up in accordance with the Use & Care Guide supplied with each PERLICK unit. PERLICK'S obligation under this warranty is limited to a period of one (1) year from the date of original installation or fifteen (15) months after shipment date from PERLICK, whichever occurs first. For warranty validation, be sure to properly register your unit at perlick.com.

#### ONE YEAR FULL BAR EQUIPMENT PARTS & LABOR WARRANTY

For bar equipment PERLICK warrants to the original purchaser of every new PERLICK bar equipment piece to be free from defects in material or workmanship under normal and proper use and maintenance as specified by PERLICK and upon proper installation and start-up in accordance with the Use & Care Guide supplied with each PERLICK unit. PERLICK'S obligation under this warranty is limited to a period of one (1) year from the date of original installation or fifteen (15) months after shipment date from PERLICK, whichever occurs first. For warranty validation, be sure to properly register your unit at perlick.com.

#### TERMS APPLICABLE TO EACH WARRANTY

Any part covered under the above warranties that is determined by PERLICK to have been defective within the time frame is limited to the repair or replacement, including labor charges, of defective parts or assemblies. The labor warranty shall include standard straight time labor charges only and reasonable travel time, as determined by PERLICK.

#### WARRANTY CLAIMS

All claims for labor or parts must be made directly through PERLICK. All claims should include: model number and serial number of cabinet, proof of purchase, and date of installation. In case of warranted compressor, the compressor model tag must be returned to PERLICK along with the above listed information.

#### WHAT IS NOT COVERED BY THIS WARRANTY

PERLICK'S sole obligation under this warranty is limited to either repair or replacement of parts, subject to the additional limitations below. This warranty neither assumes nor authorizes any person to assume obligations other than those expressly covered by this warranty. No consequential damages. PERLICK is not responsible for economic loss, profit loss, or special, indirect or consequential damages, including without limitation, losses or damages arising from food or product spoilage claims whether or not on account of refrigeration failure.

THE REMEDIES DESCRIBED ABOVE FOR EACH WARRANTY ARE THE ONLY ONES THAT PERLICK WILL PROVIDE, EITHER UNDER THIS WARRANTY OR UNDER ANY WARRANTY ARISING BY OPERATION OF LAW. PERLICK WILL NOT BE RESPONSIBLE FOR ANY CONSEQUENTIAL OR INCIDENTAL DAMAGES ARISING FROM THE BREACH OF THIS WARRANTY OR ANY OTHER WARRANTY, WHETHER EXPRESS, IMPLIED OR STATUTORY.

Some states do not allow the exclusion or limitation of incidental or consequential damages, so the above limitation or exclusion may not apply to you. This warranty gives you specific legal rights and you may also have other legal rights that vary from state to state. To receive parts and/or service and the name of PERLICK factory certified service nearest you, contact Perlick's Technical Service Department by writing to it at Perlick Corporation, Attn: Technical Service Department, 8300 West Good Hope Road, Milwaukee, Wisconsin 53223; or by calling Perlick's Technical Support Department at 844-411-8050; or by emailing Perlick's Technical Support Department at techservice@partstown.com. In addition, you can notify Perlick of a warranty claim by submitting the form on the Perlick website at perlick.com.

All service provided by Perlick under this Warranty must be performed by Perlick's authorized service representatives, unless otherwise specified by Perlick in writing. Service will be provided during normal business hours.

\* Stainless steel (doors, panels, handles, product frames and interior surfaces) are covered by a limited 60-day parts and labor warranty for cosmetic defects.

\*\* For PERLICK floor models warranty terms & conditions, refer to PERLICK Display Unit Warranty Policy\*\*

\*\*\* All warranties are NON-transferable from the original purchaser\*\*

Revised 07.06.2022

## PERLICK G5 COLLECTION CORE MODEL WARRANTY

Standard warranty for Core models provides 3-year full parts & labor, 6-year sealed system parts & labor, with 30-day initial aesthetics parts & labor.

Commercial-grade 400 series all stainless steel interiors and exteriors.



## PERLICK G5 COLLECTION LUXE MODEL WARRANTY

Premium Warranty provides industry-leading 6 years parts & labor coverage.

Ultra Professional-Grade 300-Series all stainless steel interiors and exteriors, including full stainless steel shelving, providing additional protection in harsh environments.



MODE  
superior products by design

MODEVEGAS

9560 South Rainbow Blvd.

Las Vegas, NV 92807

P 714.523.1511

F 714.522.0875

[orders@modedistributing.com](mailto:orders@modedistributing.com)